

*Super  
hardware*



*hardware*

[www.supglasshardware.com](http://www.supglasshardware.com)

**S  
U  
P**

Bathroom Accessories Series  
Spring Shower Hinges Series  
Bifold Shower Hinges Series  
Glass Clamps Series  
Glass Shelf Clamps Series  
Shower Door Knobs Series  
Bathroom Tube Connectors Series  
Bathroom Support Bar Series  
PVC Sealing Strips Series



## **Glass Hardware Fittings**

Glass Hardware | Manufacture | Customized

### **Super Hardware Co.,Ltd**

Address: No.3 ShaDiYuan, Nanlu Industrial zone, Duruan town,  
Pengjiang area, Jiangmen city, Guangdong, China

Web: [www.supglasshardware.com](http://www.supglasshardware.com)

Phone: 0086-13512745682

Email: [info@hardwaresup.com](mailto:info@hardwaresup.com)

## About us:

Super Hardware Co.,Ltd is professional in manufacturing: Bathroom hardware, Architectural glass fittings, household hardware etc. We are a China glass fittings manufacturer and exporters. Our "Super Hardware" products series includes high quality: Sliding door hardware, Glass pivot door hardware, Pool fencing hardware, Glass canopy, Handrail fittings, Glass door handles, Glass door lock, Shower hinges, Glass fixing clamps, Bathroom fixing support bar, Shower door knobs, Bathroom tube rod connectors, Door stopper, Bathroom accessories, PVC sealing strips, household hardware etc. We are a family company with full experience in bathroom hardware manufacturer for many years. Our New Hung Tak factory was built in 1996, starts from household hardware, and later develop the glass fittings hardware. Our total area is 25,000m<sup>2</sup>, construction area 20,000m<sup>2</sup>. Factory has modern plant and advanced facilities, such as milling, CNC, punching, cutting, welding, polishing and bending machines etc.

S.U.P listens to your sound carefully, pays attention to each detail, provides a higher quality service all the time for you.

Welcome all OEM orders from domestic and overseas !



S.U.P strictly select raw materials, the following materials are mainly used according to the appearance and function. The embryos are processed with most advanced surface treatment technology.

1. Stainless steel--Mainly AISI 304 class stainless steel, the surface can be polished into mirror, TIN or PVD or other vacuum films can be coated on the mirror surface, or make stainless steel into satin, and the surface can be coated with paint into different colors.
2. Copper--Directly for polishing, the product itself features the functions of sterilizing and restraining bacteria, the surface can be protected with transparent coating for preventing oxidation. Additionally, the surface of copper is also electroplated with different materials, including polished chrome, satin chrome, satin nickel, titanium and zirconium etc.
3. Aluminum--We apply pure aluminum, the surface is treated with anode oxidation technology, or the surface can be treated into frosted effect in silver or golden, the surface is wearable resistant and anti-corrosion.
4. Zinc Alloy--We apply the best zinc ally, the surface is treated by diversified electroplating technology or coated.
5. Diversified Non Metals--Non metals are widely used, including high grade wood, organic glass and stone etc.

With fine grinding, the surface is also used with latest surface anti-bacteria materials.



**Bathroom hardware**

P137-152 Bathroom accessories



P153-191 Spring shower hinges



P192-222 Bifold shower hinge



P223-228 Lift-off shower hinges



P229-266 Glass clamps



P267-273 Glass shelf clamps



P274-282 Shower door knobs



P283-290 Bathroom tube connectors



P291-296 Bathroom fixing support bar



P297-302 PVC sealing strips



# Bathroom Accessories Series

## BATHROOM ACCESSORIES

**BA101**  
Soap dispenser

1. Material : Stainless steel 304
2. Finishing: Polished , Satin



**BA102**  
Soap dish

1. Material : Stainless steel 304
2. Finishing: Polished , Satin



**BA103**  
Soap cup

1. Material : Stainless steel 304
2. Finishing: Polished , Satin



**BA104**  
Towel ring

1. Material : Stainless steel 304
2. Finishing: Polished , Satin



**BA105**  
Towel bar

1. Material : Stainless steel 304
2. Finishing: Polished , Satin



**BA106**  
Towel rack

1. Material : Stainless steel 304
2. Finishing: Polished , Satin



Accessories.

BA26 Series:



**BA261**  
Towel bar

- 1. Material : Stainless steel 304/Brass
- 2. Finishing: Polished , Satin



**BA262**  
Double towel bar

- 1. Material : Stainless steel 304/Brass
- 2. Finishing: Polished , Satin



**BA263**  
Glass shelf

- 1. Material : Stainless steel 304/Brass
- 2. Finishing: Polished , Satin



**BA264**  
Towel ring

- 1. Material : Stainless steel 304/Brass
- 2. Finishing: Polished , Satin



**BA265**  
Toilet brush holder

- 1. Material : Stainless steel 304/Brass
- 2. Finishing: Polished , Satin



**BA266**  
Tumbler holder

- 1. Material : Stainless steel 304/Brass
- 2. Finishing: Polished , Satin



**BA268**  
Double tumbler holder

- 1. Material : Stainless steel 304/Brass
- 2. Finishing: Polished , Satin



**BA2610**  
Robe hook

- 1. Material : Stainless steel 304/Brass
- 2. Finishing: Polished , Satin



**BA2612**  
Lotion dispenser

- 1. Material : Stainless steel 304/Brass
- 2. Finishing: Polished , Satin



**BA267**  
Soap dish holder

- 1. Material : Stainless steel 304/Brass
- 2. Finishing: Polished , Satin



**BA269**  
Soap basket

- 1. Material : Stainless steel 304/Brass
- 2. Finishing: Polished , Satin



**BA2611**  
Roll holder with cover

- 1. Material : Stainless steel 304/Brass
- 2. Finishing: Polished , Satin



**BA2613**  
Double glass shelf

- 1. Material : Stainless steel 304/Brass
- 2. Finishing: Polished , Satin



**Fashion Fields.**

**BA27 Series:**



**BA271**

**Double towel bar**

- 1. Material : Stainless steel 304/Brass
- 2. Finishing: Polished , Satin



**BA272**

**Double towel bar**

- 1. Material : Stainless steel 304/Brass
- 2. Finishing: Polished , Satin



**BA273**

**Glass shelf**

- 1. Material : Stainless steel 304/Brass
- 2. Finishing: Polished , Satin



**BA274**

**Toilet brush holder**

- 1. Material : Stainless steel 304/Brass
- 2. Finishing: Polished , Satin



**BA275**

**Tumbler holder**

- 1. Material : Stainless steel 304/Brass
- 2. Finishing: Polished , Satin



**BA276**

**Soap dish holder**

- 1. Material : Stainless steel 304/Brass
- 2. Finishing: Polished , Satin



**BA277**

**Double tumbler holder**

- 1. Material : Stainless steel 304/Brass
- 2. Finishing: Polished , Satin



**BA278**

**Soap basket**

- 1. Material : Stainless steel 304/Brass
- 2. Finishing: Polished , Satin



**BA279**

**Robe hook**

- 1. Material : Stainless steel 304/Brass
- 2. Finishing: Polished , Satin



**BA2710**

**Roll holder with cover**

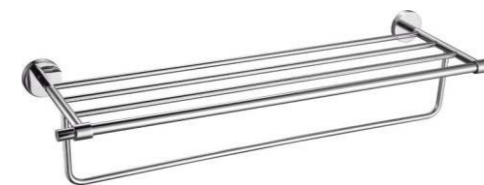
- 1. Material : Stainless steel 304/Brass
- 2. Finishing: Polished , Satin



**BA2711**

**Double bath towel shelf**

- 1. Material : Stainless steel 304/Brass
- 2. Finishing: Polished , Satin



**BA2712**

**Double glass shelf**

- 1. Material : Stainless steel 304/Brass
- 2. Finishing: Polished , Satin



Accessories.

BA28 Series:

**BA281**  
Towel bar

- 1. Material : Stainless steel 304/Brass
- 2. Finishing: Polished , Satin



**BA282**  
Double towel bar

- 1. Material : Stainless steel 304/Brass
- 2. Finishing: Polished , Satin



**BA283**  
Glass shelf

- 1. Material : Stainless steel 304/Brass
- 2. Finishing: Polished , Satin



**BA284**  
Towe ring

- 1. Material : Stainless steel 304/Brass
- 2. Finishing: Polished , Satin



**BA285**  
Toilet brush holder

- 1. Material : Stainless steel 304/Brass
- 2. Finishing: Polished , Satin



**BA286**  
Tumbler holder

- 1. Material : Stainless steel 304/Brass
- 2. Finishing: Polished , Satin



**BA287**  
Soap dish holder

- 1. Material : Stainless steel 304/Brass
- 2. Finishing: Polished , Satin



**BA288**  
Double tumbler holder

- 1. Material : Stainless steel 304/Brass
- 2. Finishing: Polished , Satin



**BA289**  
Soap basket

- 1. Material : Stainless steel 304/Brass
- 2. Finishing: Polished , Satin



**BA2810**  
Robe hook

- 1. Material : Stainless steel 304/Brass
- 2. Finishing: Polished , Satin



**BA2811**  
Roll holder without cover

- 1. Material : Stainless steel 304/Brass
- 2. Finishing: Polished , Satin



**BA2812**  
Double bathtowel shelf

- 1. Material : Stainless steel 304/Brass
- 2. Finishing: Polished , Satin



**BA2813**  
Lotion dispenser

- 1. Material : Stainless steel 304/Brass
- 2. Finishing: Polished , Satin



**BA2814**  
Double glass shelf

- 1. Material : Stainless steel 304/Brass
- 2. Finishing: Polished , Satin



**Accessories.**

**BA48 Series:**



**BA481**  
Towel bar

- 1. Material : Stainless steel 304/Brass
- 2. Finishing: Polished , Satin



**BA482**  
Double towel bar

- 1. Material : Stainless steel 304/Brass
- 2. Finishing: Polished , Satin



**BA483**  
Glass shelf

- 1. Material : Stainless steel 304/Brass
- 2. Finishing: Polished , Satin



**BA484**  
Towel ring

- 1. Material : Stainless steel 304/Brass
- 2. Finishing: Polished , Satin



**BA485**  
Toilet brush holder

- 1. Material : Stainless steel 304/Brass
- 2. Finishing: Polished , Satin



**BA486**  
Tumbler holder

- 1. Material : Stainless steel 304/Brass
- 2. Finishing: Polished , Satin



**BA487**  
Soap dish holder

- 1. Material : Stainless steel 304/Brass
- 2. Finishing: Polished , Satin



**BA488**  
Double tumbler holder

- 1. Material : Stainless steel 304/Brass
- 2. Finishing: Polished , Satin



**BA489**  
Soap basket

- 1. Material : Stainless steel 304/Brass
- 2. Finishing: Polished , Satin



**BA4810**  
Robe hook

- 1. Material : Stainless steel 304/Brass
- 2. Finishing: Polished , Satin



**BA4811**  
Roll holder with cover

- 1. Material : Stainless steel 304/Brass
- 2. Finishing: Polished , Satin



**BA4812**  
Lotion dispenser

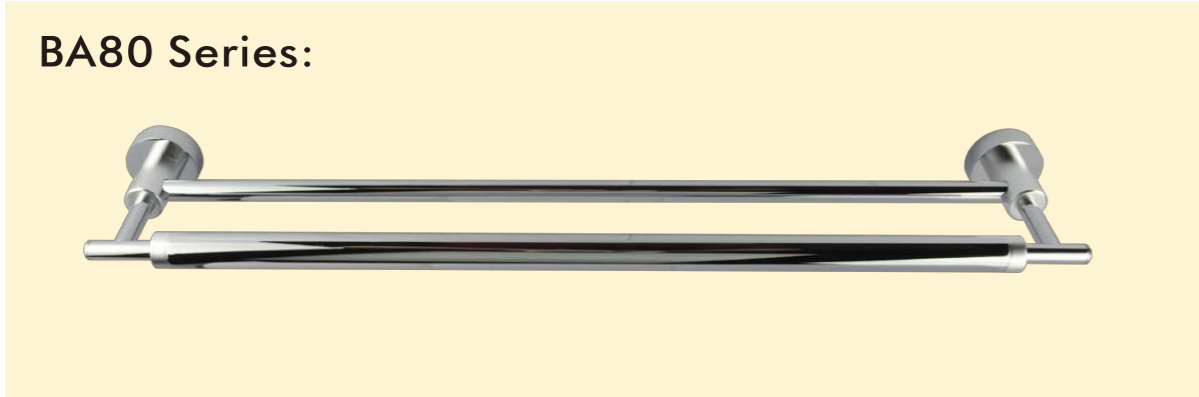
- 1. Material : Stainless steel 304/Brass
- 2. Finishing: Polished , Satin





## Fashion Fields.

### BA80 Series:



**BA801**  
Towel bar

1. Material : Stainless steel 304/Brass
2. Finishing: Polished , Satin



**BA802**

Double towel bar

1. Material : Stainless steel 304/Brass
2. Finishing: Polished , Satin



**BA803**

Glass shelf

1. Material : Stainless steel 304/Brass
2. Finishing: Polished , Satin



**BA804**

Towe ring

1. Material : Stainless steel 304/Brass
2. Finishing: Polished , Satin



**BA805**

Toilet brush holder

1. Material : Stainless steel 304/Brass
2. Finishing: Polished , Satin



**BA806**

Tumbler holder

1. Material : Stainless steel 304/Brass
2. Finishing: Polished , Satin



**BA807**

Soap dish holder

1. Material : Stainless steel 304/Brass
2. Finishing: Polished , Satin



**BA808**

Double tumbler holder

1. Material : Stainless steel 304/Brass
2. Finishing: Polished , Satin



**BA809**

Robe hook

1. Material : Stainless steel 304/Brass
2. Finishing: Polished , Satin



**BA8010**

Roll holder with cover

1. Material : Stainless steel 304/Brass
2. Finishing: Polished , Satin



**BA8011**

Double bathtowel shelf

1. Material : Stainless steel 304/Brass
2. Finishing: Polished , Satin



**BA8012**

Lotion dispenser

1. Material : Stainless steel 304/Brass
2. Finishing: Polished , Satin



**BA8013**

Double glass shelf

1. Material : Stainless steel 304/Brass
2. Finishing: Polished , Satin



Comfortable.

BA82 Series:



**BA821**  
Towel bar

1. Material : Stainless steel 304/Brass
2. Finishing: Polished , Satin



**BA822**  
Double towel bar

1. Material : Stainless steel 304/Brass
2. Finishing: Polished , Satin



**BA823**  
Glass shelf

1. Material : Stainless steel 304/Brass
2. Finishing: Polished , Satin



**BA824**  
Towe ring

1. Material : Stainless steel 304/Brass
2. Finishing: Polished , Satin



**BA825**  
Toilet brush holder

1. Material : Stainless steel 304/Brass
2. Finishing: Polished , Satin



**BA826**  
Tumbler holder

1. Material : Stainless steel 304/Brass
2. Finishing: Polished , Satin



**BA827**  
Soap dish holder

1. Material : Stainless steel 304/Brass
2. Finishing: Polished , Satin



**BA828**  
Double tumbler holder

1. Material : Stainless steel 304/Brass
2. Finishing: Polished , Satin



**BA829**  
Robe hook

1. Material : Stainless steel 304/Brass
2. Finishing: Polished , Satin



**BA8210**  
Roll holder without cover

1. Material : Stainless steel 304/Brass
2. Finishing: Polished , Satin



**BA8211**  
Double bathtowel shelf

1. Material : Stainless steel 304/Brass
2. Finishing: Polished , Satin



**BA8212**  
Lotion dispenser

1. Material : Stainless steel 304/Brass
2. Finishing: Polished , Satin



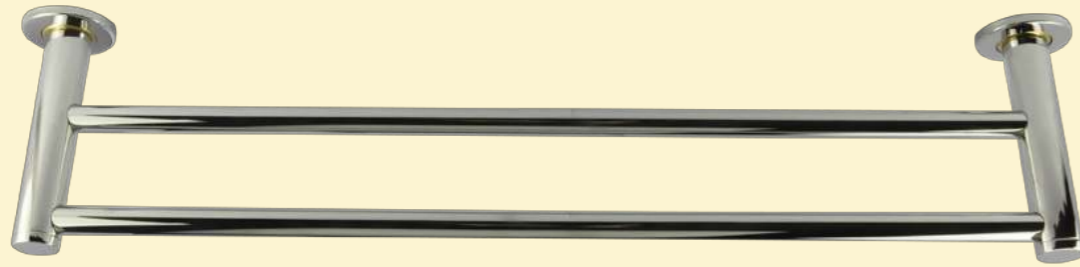
**BA8213**  
Double glass shelf

1. Material : Stainless steel 304/Brass
2. Finishing: Polished , Satin



Comfortable.

BA85 Series:



**BA851**  
Double glass shelf  
1. Material : Stainless steel 304/Brass  
2. Finishing: Polished , Satin



**BA852**  
Glass shelf

1. Material : Stainless steel 304/Brass
2. Finishing: Polished , Satin



**BA853**  
Towel bar

1. Material : Stainless steel 304/Brass
2. Finishing: Polished , Satin



**BA854**  
Double towel bar

1. Material : Stainless steel 304/Brass
2. Finishing: Polished , Satin



**BA855**  
Double towel bar

1. Material : Stainless steel 304/Brass
2. Finishing: Polished , Satin



**BA856**  
Double towel bar

1. Material : Stainless steel 304/Brass
2. Finishing: Polished , Satin



**BA857**  
Double bathtowel shelf

1. Material : Stainless steel 304/Brass
2. Finishing: Polished , Satin



## Spring Shower Hinges Series

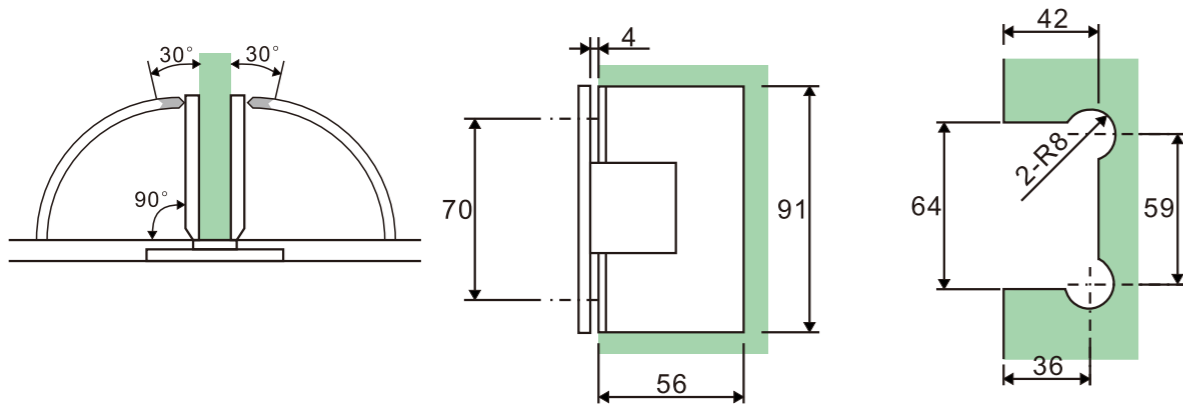




**GH101**

Glass to wall 90°

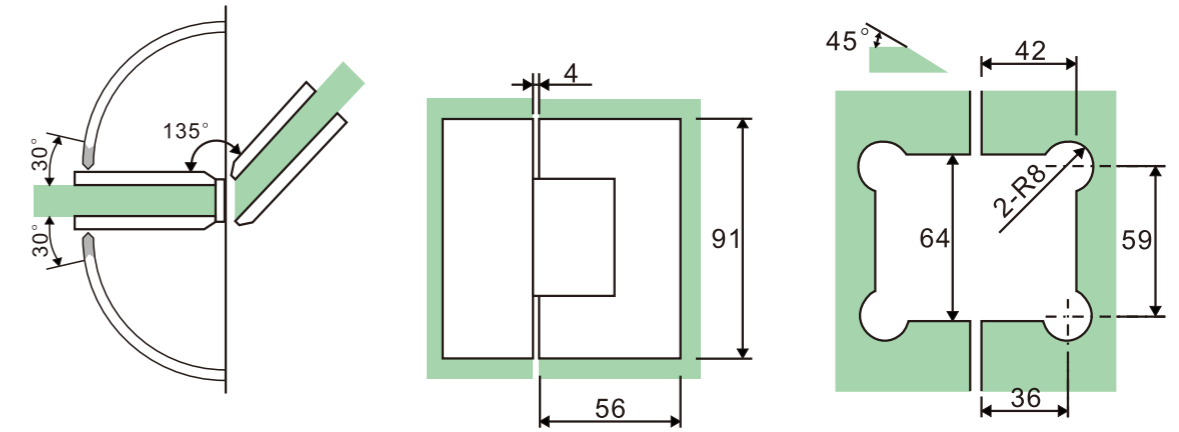
1. Fit for 8mm-12mm Glass.
2. Self-closing at about 30°
3. Max. glass door weight: 45kg
4. Double sides action non-handed 90° stays maximum.
5. Material:solid brass.



**GH103**

Glass to glass 135°

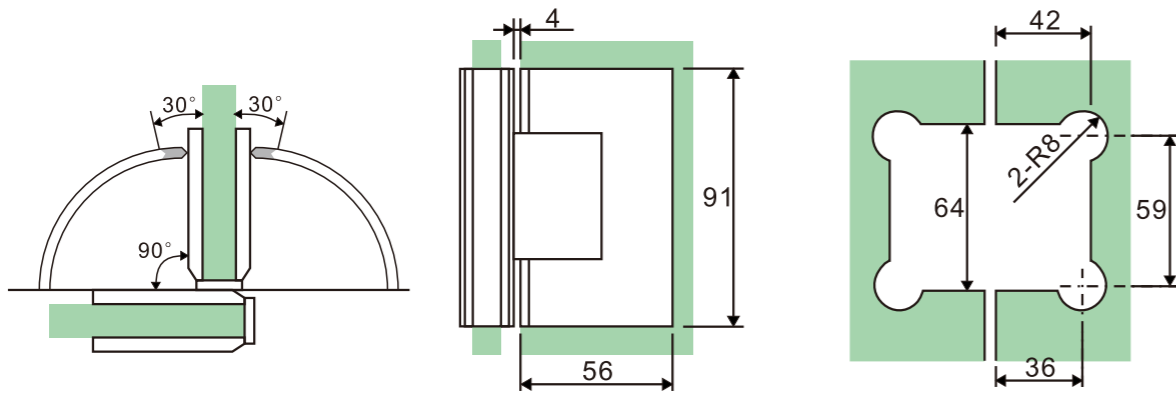
1. Fit for 8mm-12mm Glass.
2. Self-closing at about 30°
3. Max. glass door weight: 45kg
4. Double sides action non-handed 90° stays maximum.
5. Material:solid brass.



**GH102**

Glass to glass 90°

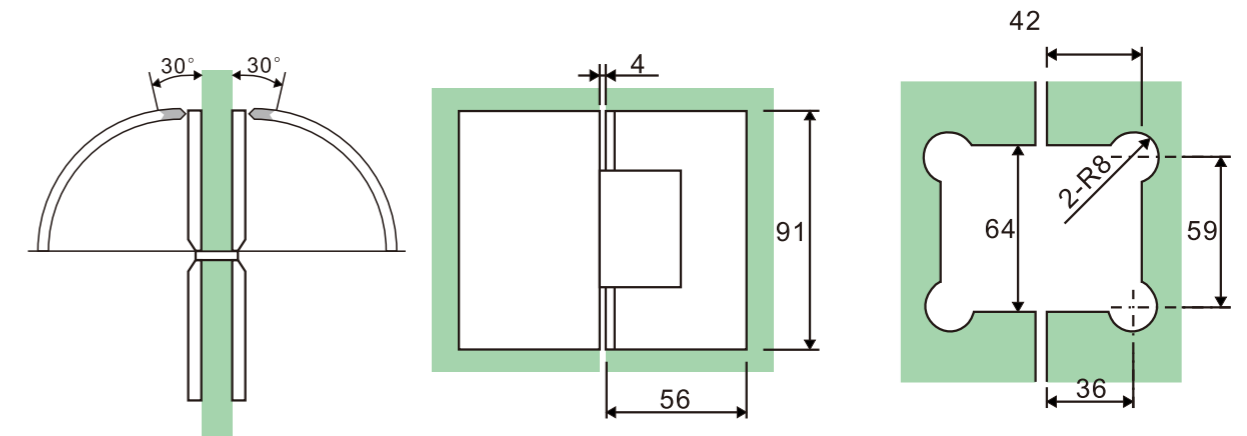
1. Fit for 8mm-12mm Glass.
2. Self-closing at about 30°
3. Max. glass door weight: 45kg
4. Double sides action non-handed 90° stays maximum.
5. Material:solid brass.



**GH104**

Glass to glass 180°

1. Fit for 8mm-12mm Glass.
2. Self-closing at about 30°
3. Max. glass door weight: 45kg
4. Double sides action non-handed 90° stays maximum.
5. Material:solid brass.

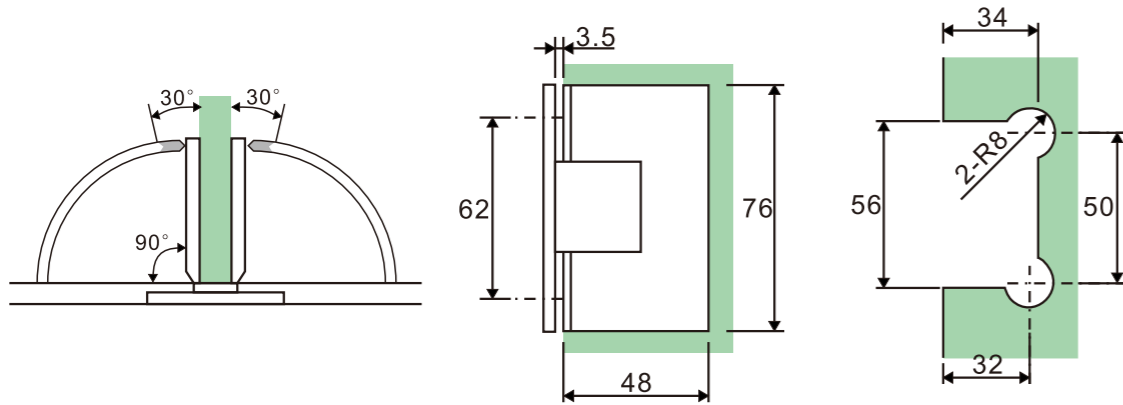




**GH101M(Mini hinge)**

Glass to wall 90°

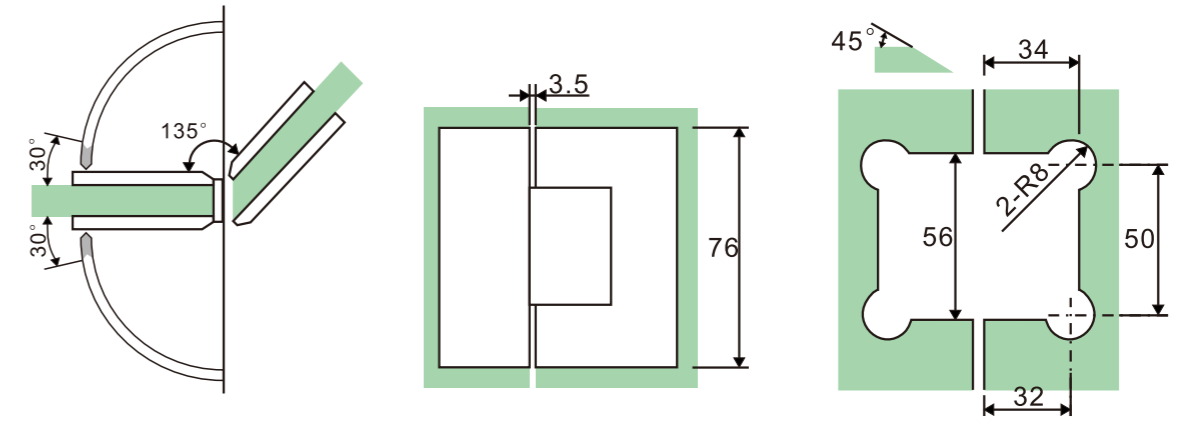
1. Fit for 6mm-8mm Glass.
2. Self-closing at about 30°
3. Max. glass door weight: 35kg
4. Double sides action non-handed 90° stays maximum.
5. Material:solid brass.



**GH103M(Mini hinge)**

Glass to glass 135°

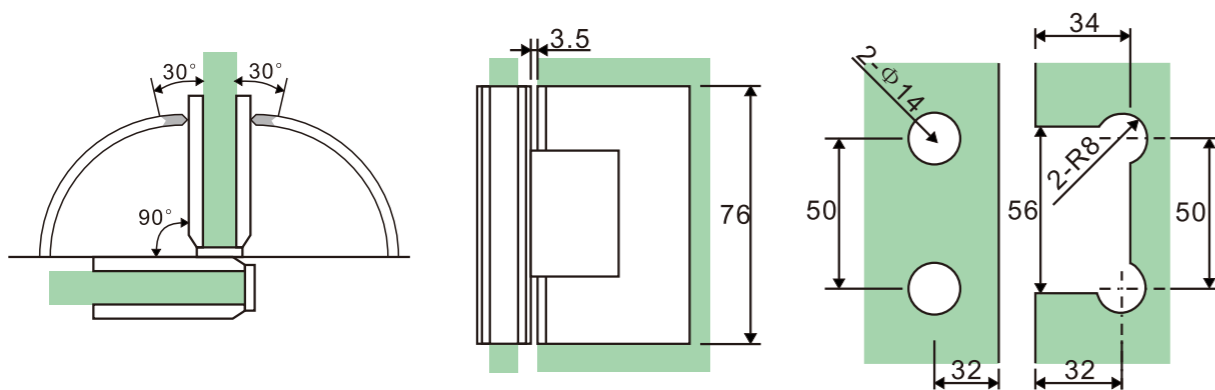
1. Fit for 6mm-8mm Glass.
2. Self-closing at about 30°
3. Max. glass door weight: 35kg
4. Double sides action non-handed 90° stays maximum.
5. Material:solid brass.



**GH102M(Mini hinge)**

Glass to glass 90°

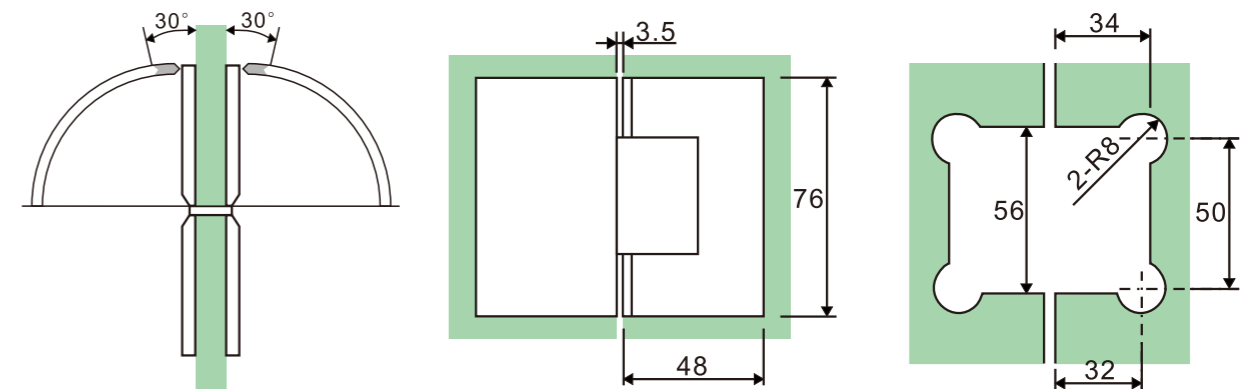
1. Fit for 6mm-8mm Glass.
2. Self-closing at about 30°
3. Max. glass door weight: 35kg
4. Double sides action non-handed 90° stays maximum.
5. Material:solid brass.



**GH104M(Mini hinge)**

Glass to glass 180°

1. Fit for 6mm-8mm Glass.
2. Self-closing at about 30°
3. Max. glass door weight: 35kg
4. Double sides action non-handed 90° stays maximum.
5. Material:solid brass.

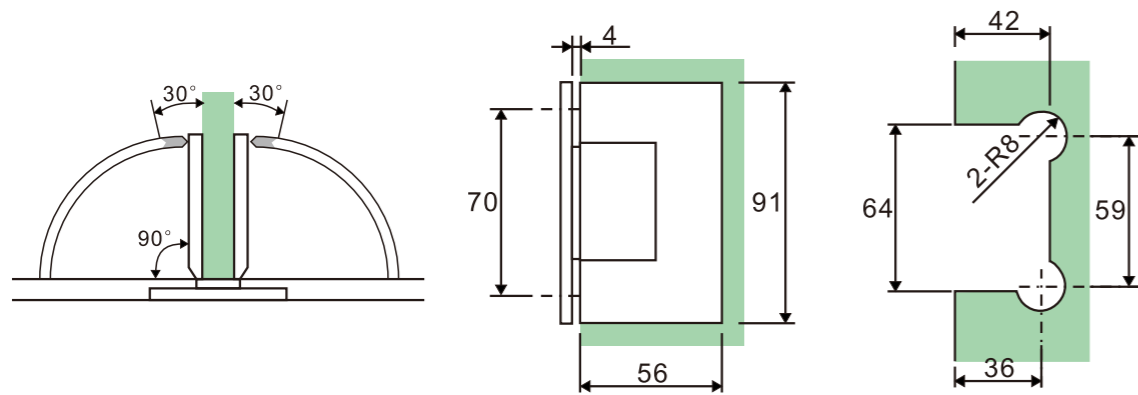




**GH101-H**

Glass to wall 90°

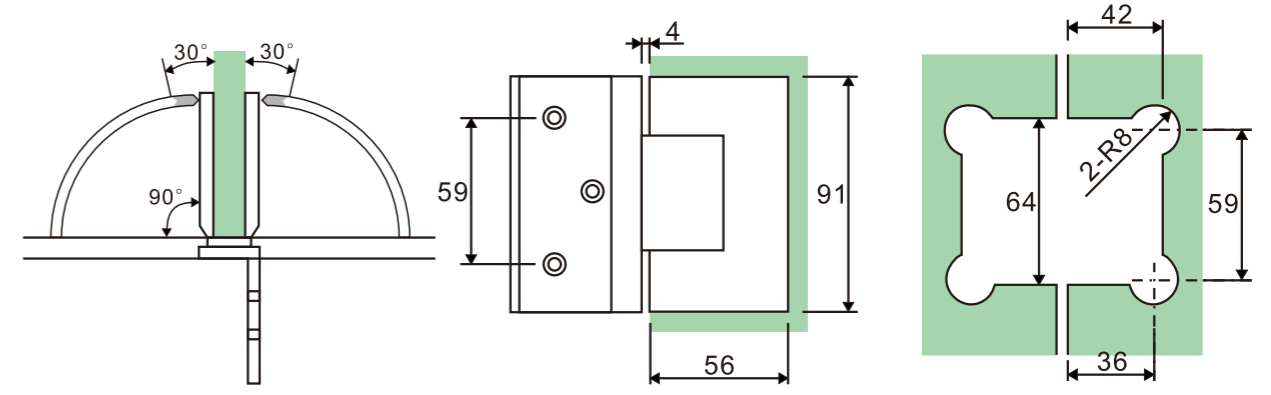
1. Fit for 8mm-12mm Glass.
2. Self-closing at about 30°
3. Max. glass door weight: 45kg
4. Double sides action non-handed 90° stays maximum.
5. Material:solid brass.



**GH101-SL**

Glass to wall

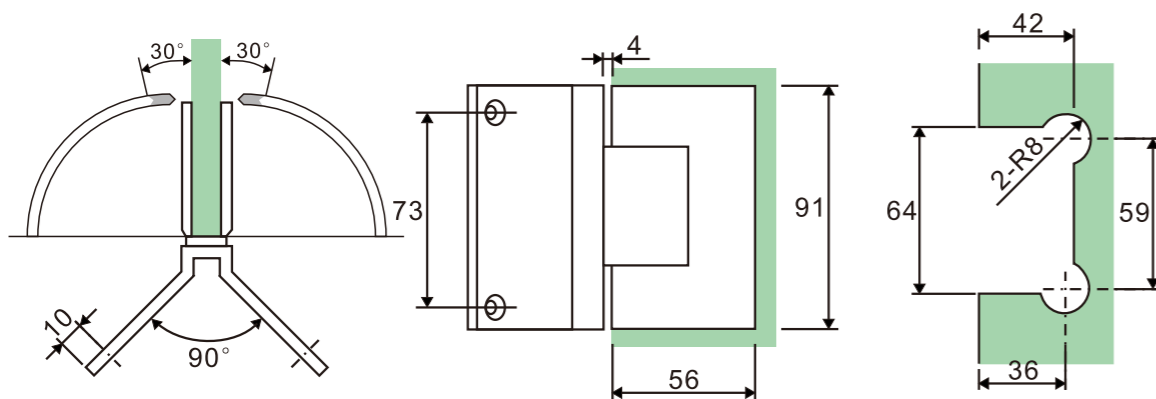
1. Fit for 8mm-12mm Glass.
2. Self-closing at about 30°
3. Max. glass door weight: 45kg
4. Double sides action non-handed 90° stays maximum.
5. Material:solid brass.



**GH101-Y**

Glass to wall corner

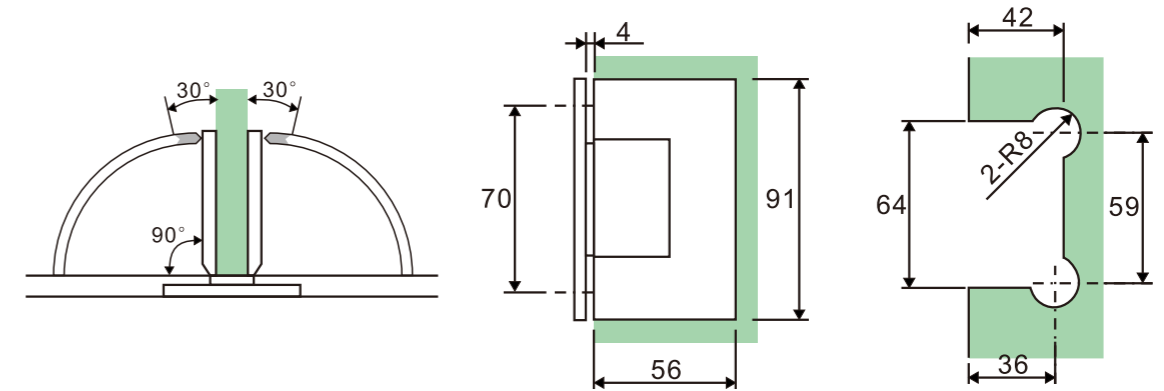
1. Fit for 8mm-12mm Glass.
2. Self-closing at about 30°
3. Max. glass door weight: 45kg
4. Double sides action non-handed 90° stays maximum.
5. Material:solid brass.



**GH101A**

Glass to wall Adjustable

1. Fit for 8mm-12mm Glass.
2. Self-closing at about 30°
3. Max. glass door weight: 45kg
4. Double sides action non-handed 90° stays maximum.
5. Material:solid brass.

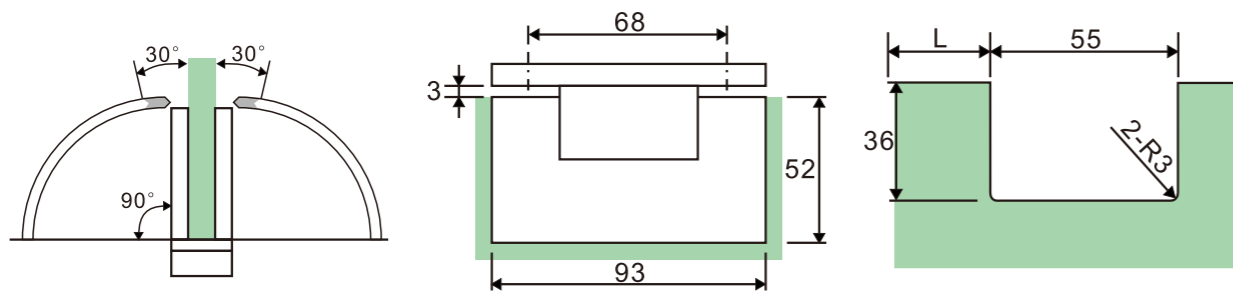




**GH101-O**

Glass to wall angle adjustable

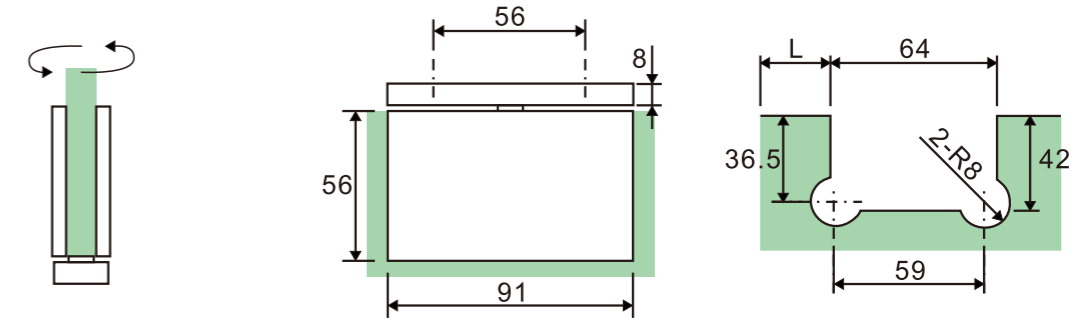
1. Fit for 8mm-12mm Glass.
2. Self-closing at about 30°
3. Max. glass door weight: 45kg
4. Material:solid brass.



**GH101-360**

Pivot hinge

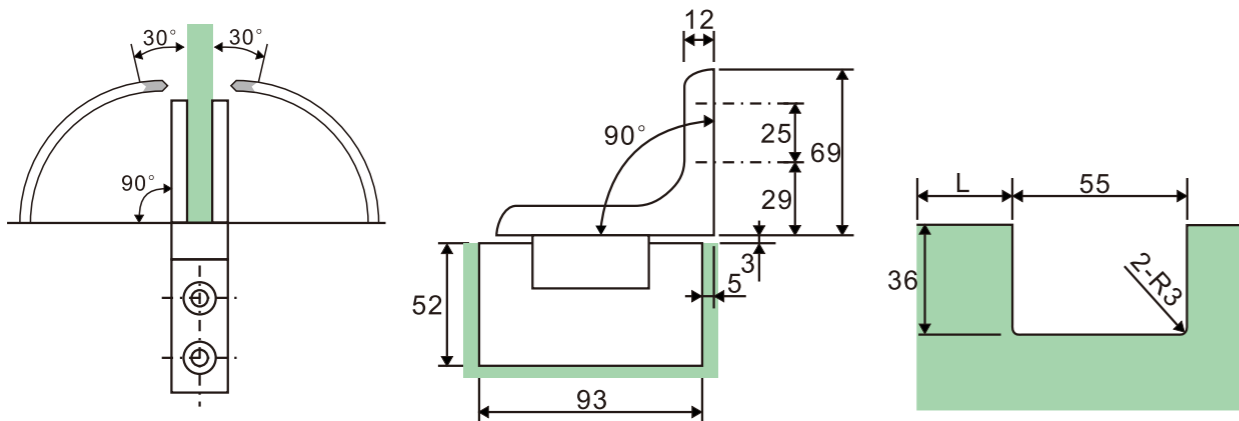
1. Fit for 8mm-12mm Glass.
2. Self-closing at about 30°
3. Max. glass door weight: 50kg
4. Material:solid brass.



**GH101-L**

Glass to wall angle adjustable

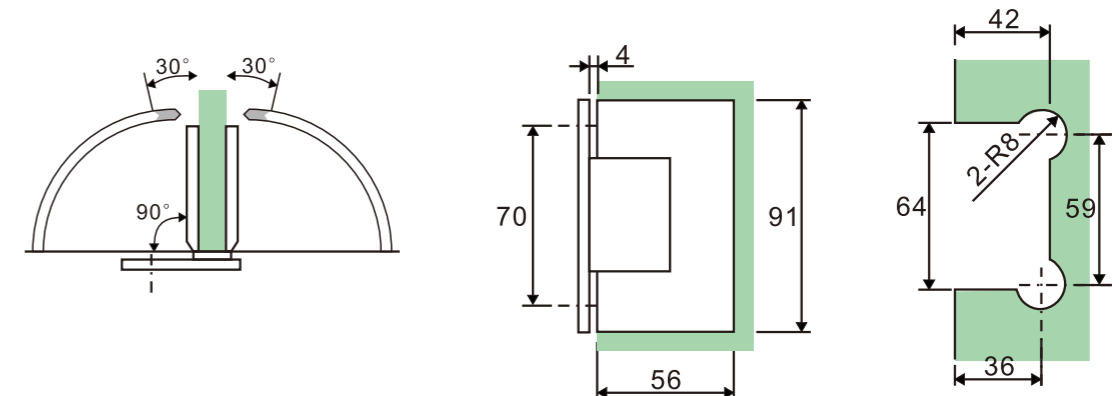
1. Fit for 8mm-12mm Glass.
2. Self-closing at about 30°
3. Max. glass door weight: 45kg
4. Material:solid brass.



**GH101-BL**

Offset hinge

1. Fit for 8mm-12mm Glass.
2. Self-closing at about 30°
3. Max. glass door weight: 45kg
4. Double sides action non-handed  
90° stays maximum.
5. Material:solid brass.



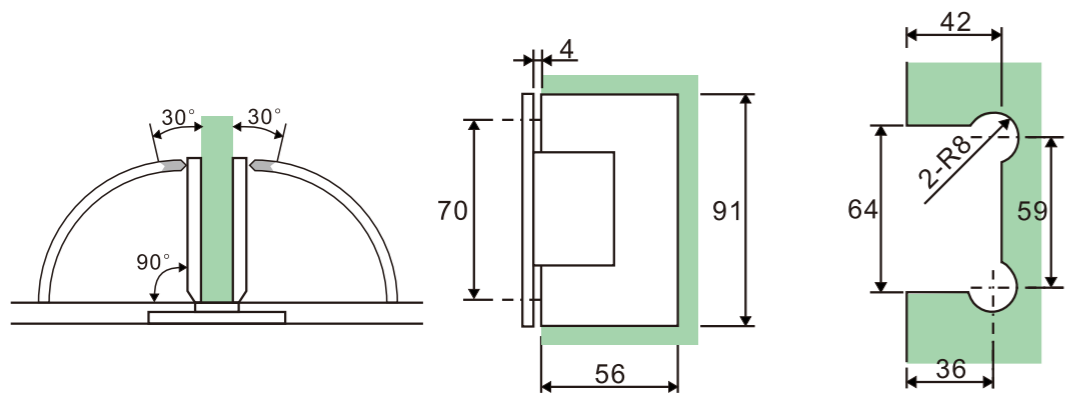




**GH201**

Glass to wall 90°

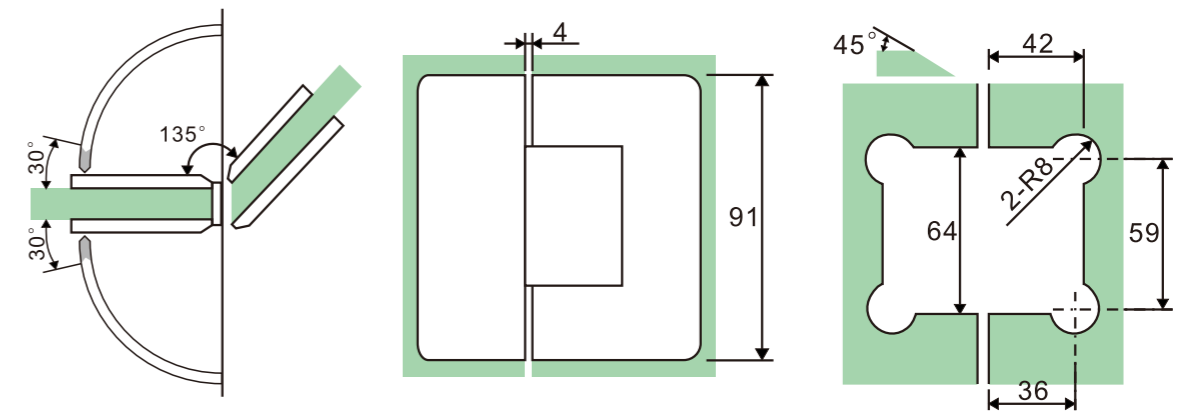
1. Fit for 8mm-12mm Glass.
2. Self-closing at about 30°
3. Max. glass door weight: 45kg
4. Double sides action non-handed 90° stays maximum.
5. Material:solid brass.



**GH203**

Glass to glass 135°

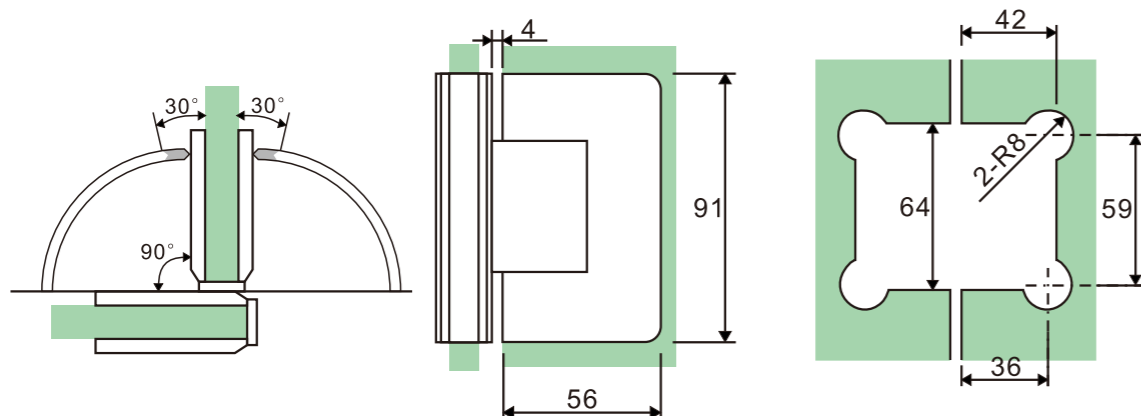
1. Fit for 8mm-12mm Glass.
2. Self-closing at about 30°
3. Max. glass door weight: 45kg
4. Double sides action non-handed 90° stays maximum.
5. Material:solid brass.



**GH202**

Glass to glass 90°

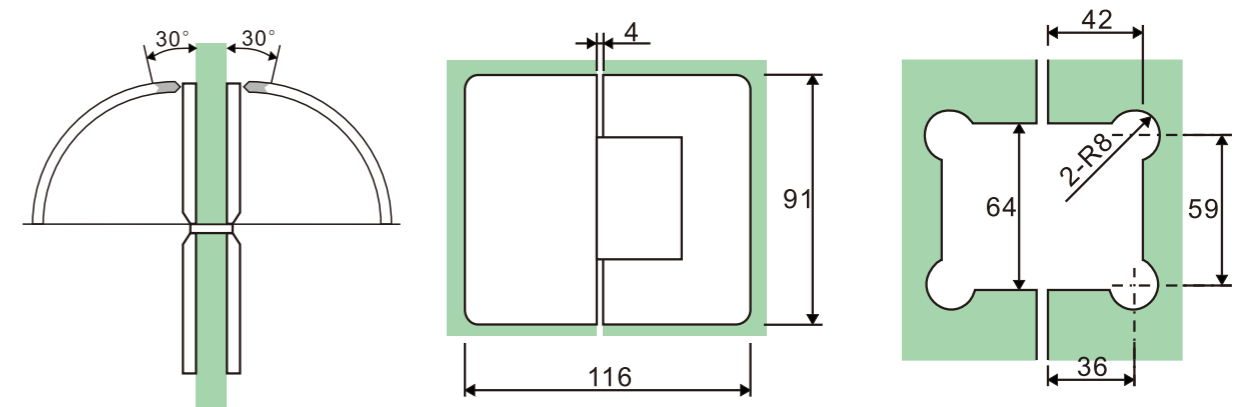
1. Fit for 8mm-12mm Glass.
2. Self-closing at about 30°
3. Max. glass door weight: 45kg
4. Double sides action non-handed 90° stays maximum.
5. Material:solid brass.



**GH204**

Glass to glass 180°

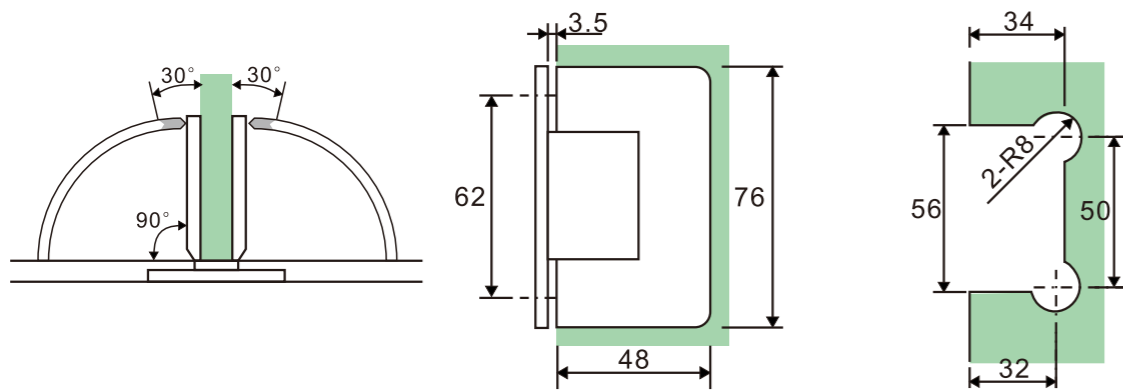
1. Fit for 8mm-12mm Glass.
2. Self-closing at about 30°
3. Max. glass door weight: 45kg
4. Double sides action non-handed 90° stays maximum.
5. Material:solid brass.



**GH201M(Mini hinge)**

Glass to wall 90°

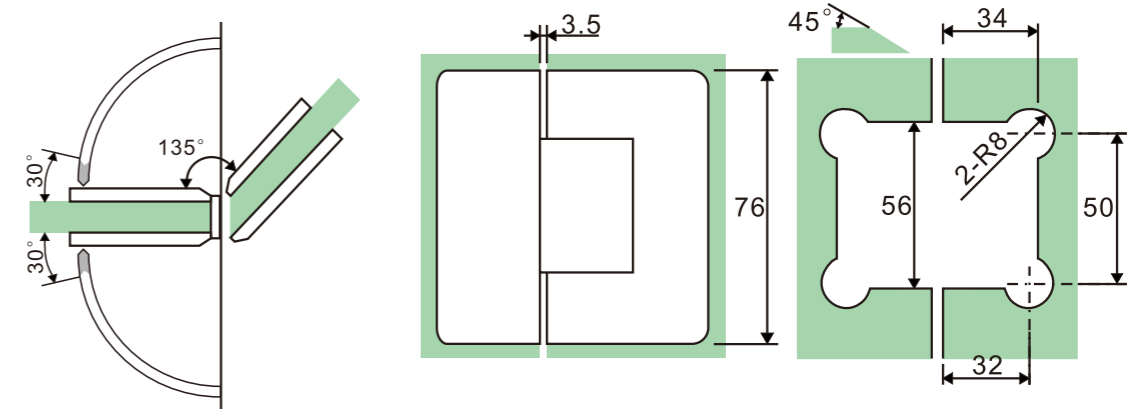
1. Fit for 6mm-8mm Glass.
2. Self-closing at about 30°
3. Max. glass door weight: 35kg
4. Double sides action non-handed 90° stays maximum.
5. Material:solid brass.



**GH203M(Mini hinge)**

Glass to glass 135°

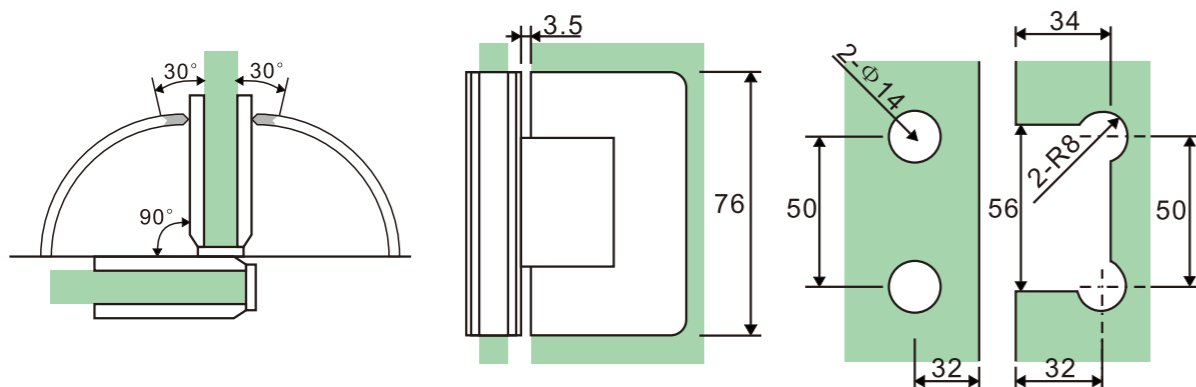
1. Fit for 6mm-8mm Glass.
2. Self-closing at about 30°
3. Max. glass door weight: 35kg
4. Double sides action non-handed 90° stays maximum.
5. Material:solid brass.



**GH202M(Mini hinge)**

Glass to glass 90°

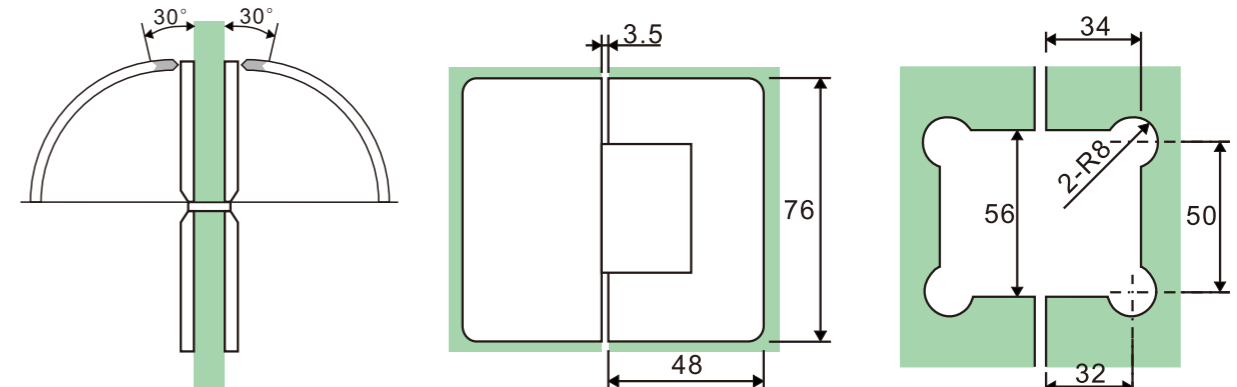
1. Fit for 6mm-8mm Glass.
2. Self-closing at about 30°
3. Max. glass door weight: 35kg
4. Double sides action non-handed 90° stays maximum.
5. Material:solid brass.



**GH204M(Mini hinge)**

Glass to glass 180°

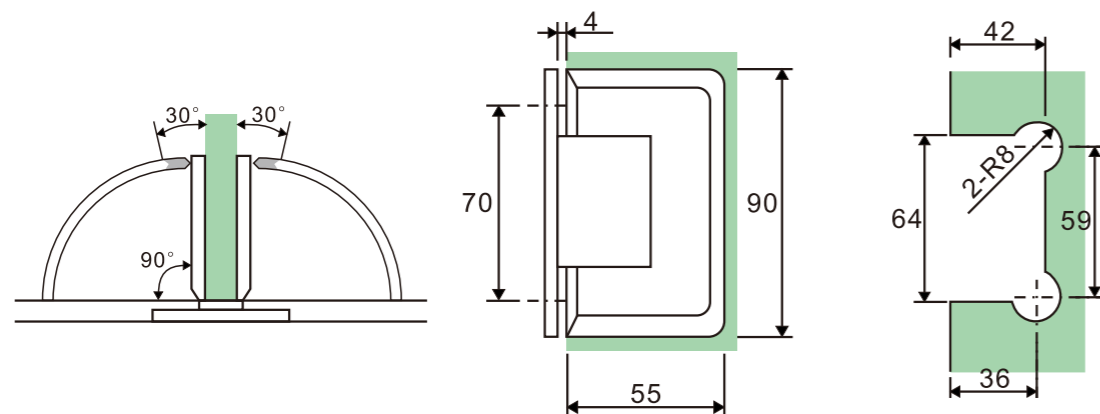
1. Fit for 6mm-8mm Glass.
2. Self-closing at about 30°
3. Max. glass door weight: 35kg
4. Double sides action non-handed 90° stays maximum.
5. Material:solid brass.



**GH301**

Glass to wall 90°

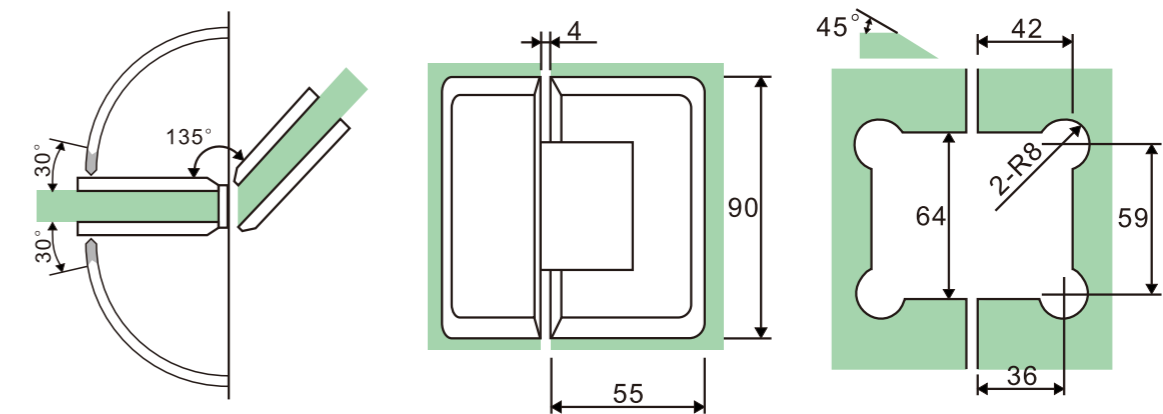
1. Fit for 8mm-12mm Glass.
2. Self-closing at about 30°
3. Max. glass door weight: 45kg
4. Double sides action non-handed 90° stays maximum.
5. Material:solid brass.



**GH303**

Glass to glass 135°

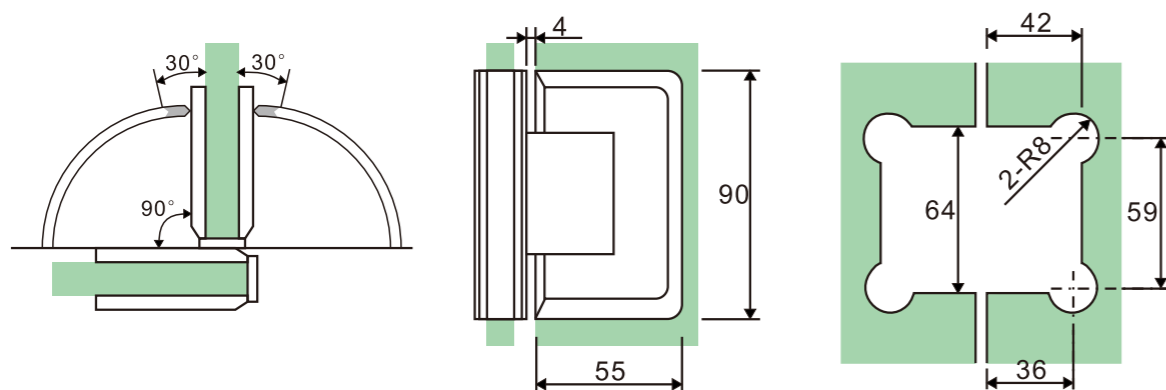
1. Fit for 8mm-12mm Glass.
2. Self-closing at about 30°
3. Max. glass door weight: 45kg
4. Double sides action non-handed 90° stays maximum.
5. Material:solid brass.



**GH302**

Glass to glass 90°

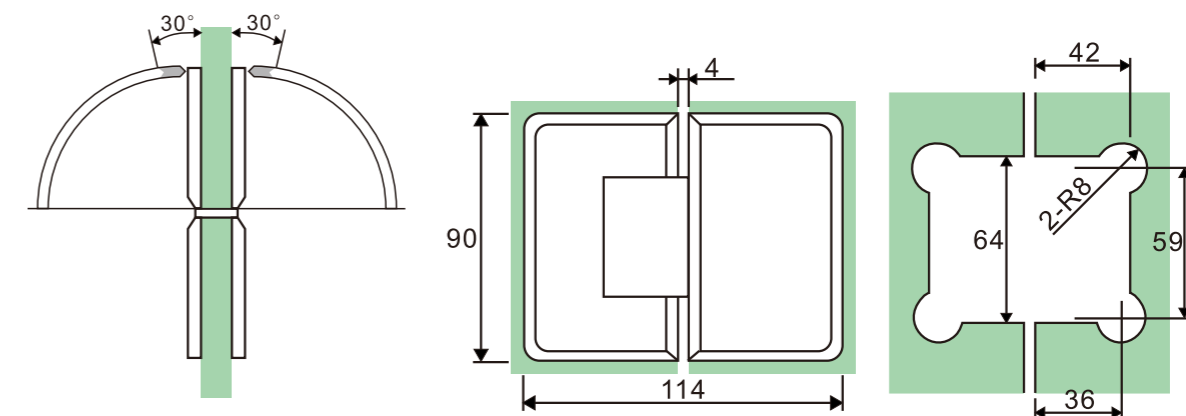
1. Fit for 8mm-12mm Glass.
2. Self-closing at about 30°
3. Max. glass door weight: 45kg
4. Double sides action non-handed 90° stays maximum.
5. Material:solid brass.



**GH304**

Glass to glass 180°

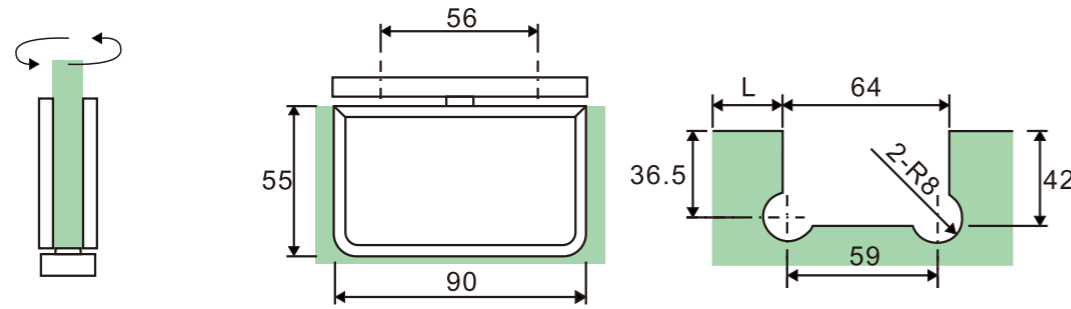
1. Fit for 8mm-12mm Glass.
2. Self-closing at about 30°
3. Max. glass door weight: 45kg
4. Double sides action non-handed 90° stays maximum.
5. Material:solid brass.



**GH301-360**

Pivot hinge

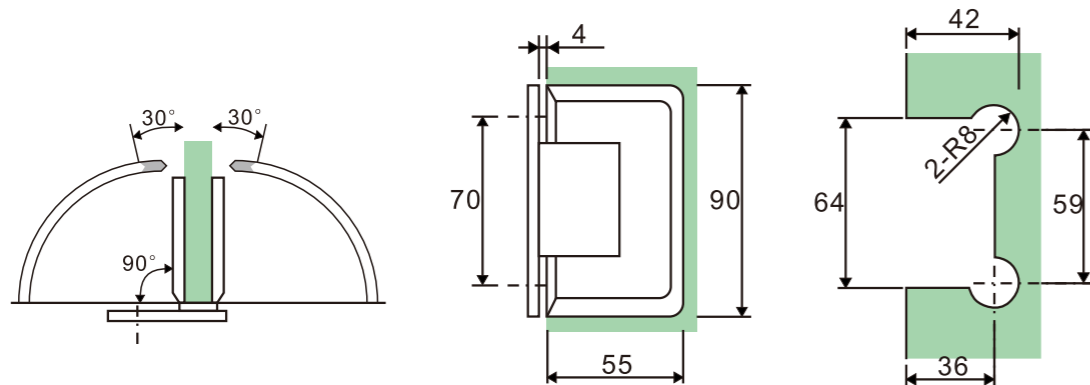
1. Fit for 8mm-12mm Glass
2. Self-closing at about 30°
3. Max. glass door weight: 45kg
4. Material:solid brass



**GH301-BL**

Offset hinge

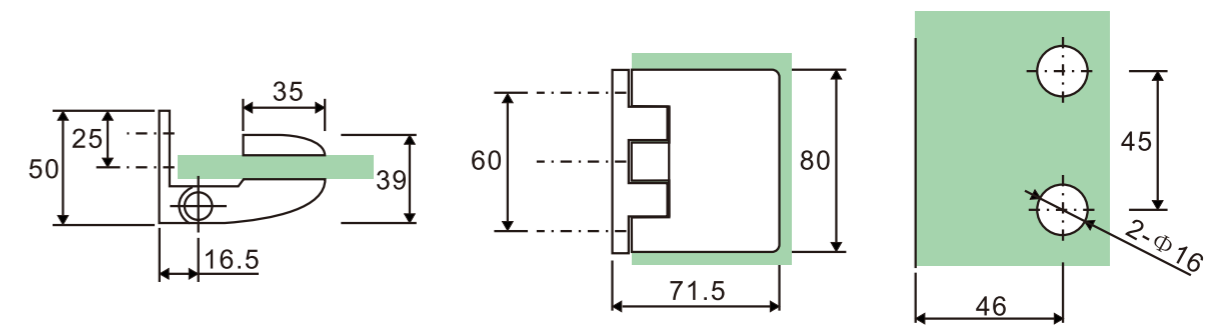
1. Fit for 8mm-12mm Glass.
2. Self-closing at about 30°
3. Max. glass door weight: 45kg
4. Double sides action non-handed 90° stays maximum.
5. Material:solid brass.



**GH711**

Glass to wall adjustable

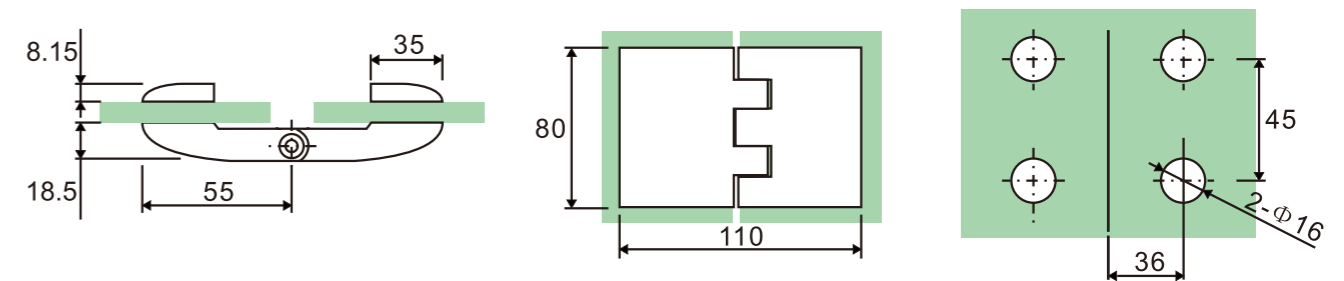
1. Fit for 8mm-12mm Glass.
2. Max. glass door weight: 45kg
3. Material:solid brass.



**GH714**

Glass to glass adjustable

1. Fit for 8mm-12mm Glass.
2. Max. glass door weight: 45kg
3. Material:solid brass.

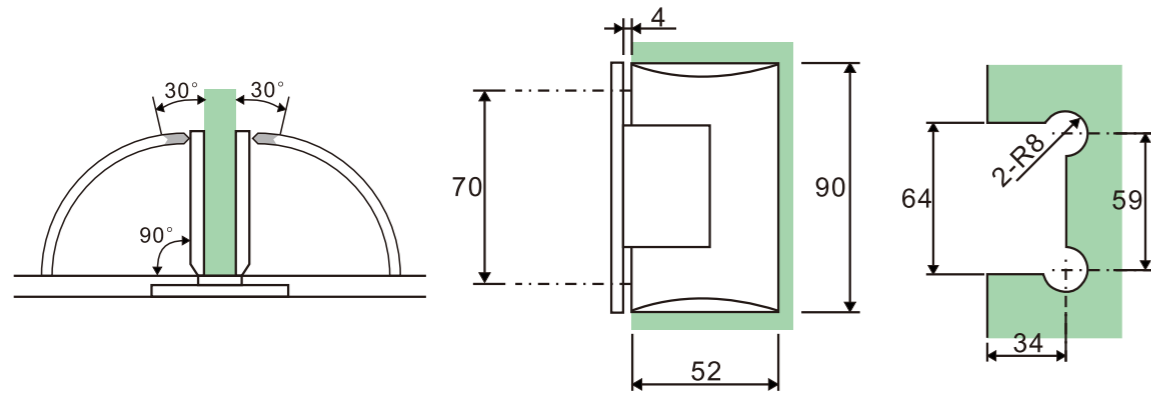




**GH401**

Glass to wall 90°

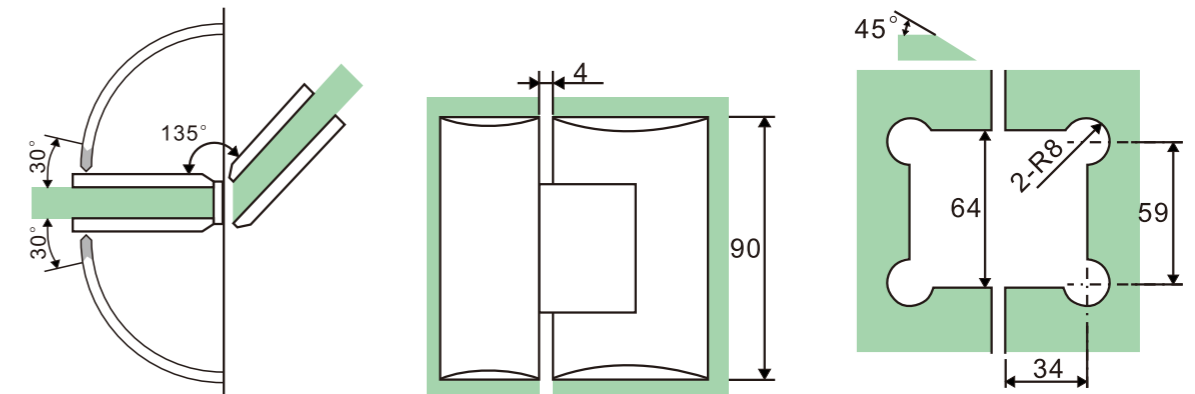
- 1、Fit for 8mm-12mm Glass.
- 2、Self-closing at about 30°
- 3、Max. glass door weight: 45kg
- 4、Double sides action non-handed 90° stays maximum.
- 5、Material:solid brass.



**GH403**

Glass to glass 135°

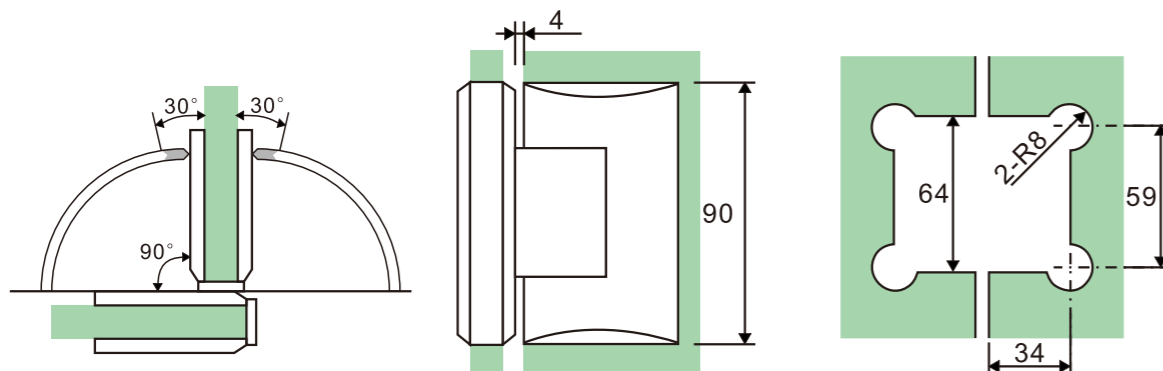
- 1、Fit for 8mm-12mm Glass.
- 2、Self-closing at about 30°
- 3、Max. glass door weight: 45kg
- 4、Double sides action non-handed 90° stays maximum.
- 5、Material:solid brass.



**GH402**

Glass to glass 90°

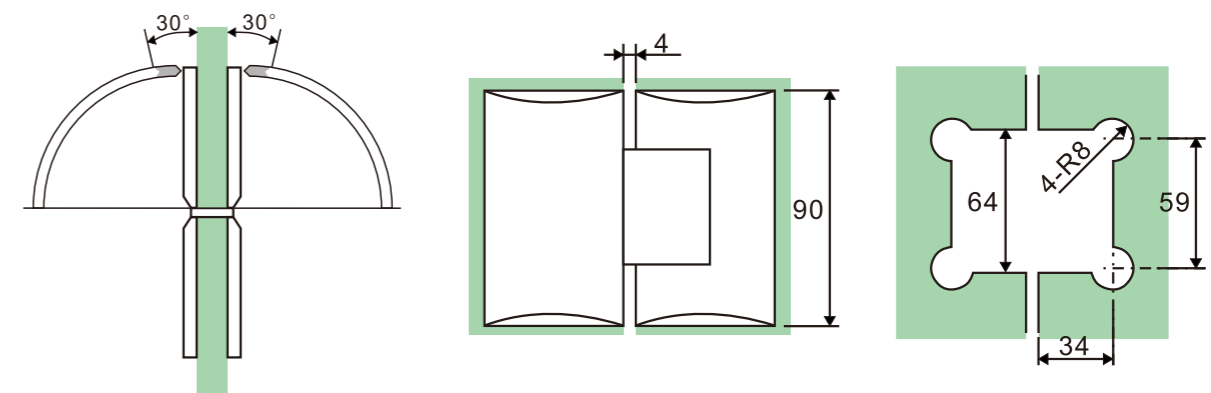
- 1、Fit for 8mm-12mm Glass.
- 2、Self-closing at about 30°
- 3、Max. glass door weight: 45kg
- 4、Double sides action non-handed 90° stays maximum.
- 5、Material:solid brass.



**GH404**

Glass to glass 180°

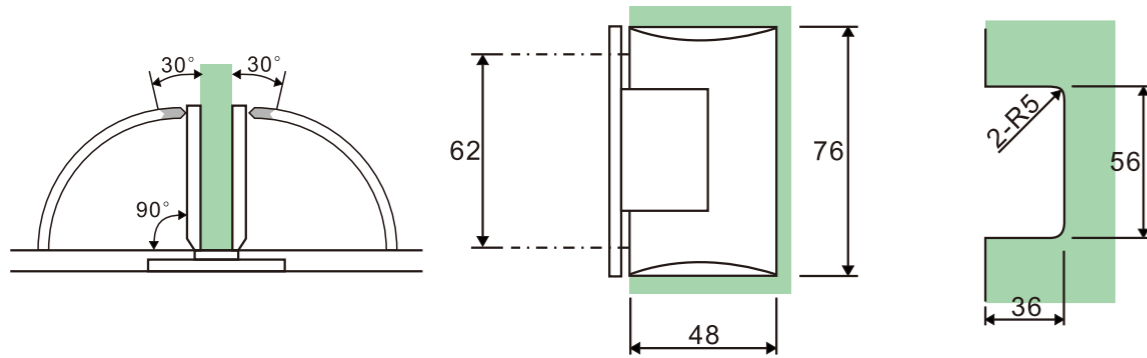
- 1、Fit for 8mm-12mm Glass.
- 2、Self-closing at about 30°
- 3、Max. glass door weight: 45kg
- 4、Double sides action non-handed 90° stays maximum.
- 5、Material:solid brass.



**GH401M(Mini hinge)**

Glass to wall 90°

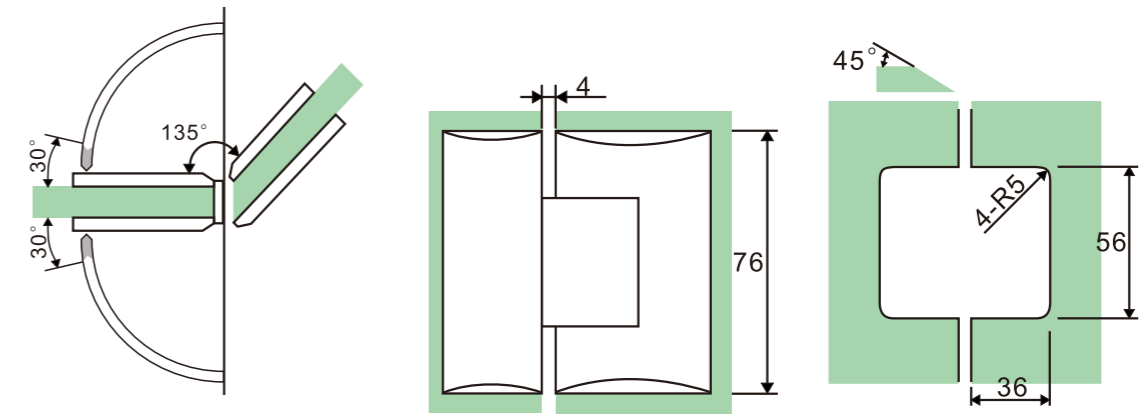
- 1、Fit for 6mm/8mm Glass.
- 2、Self-closing at about 30°
- 3、Max. glass door weight: 35kg
- 4、Double sides action non-handed 90° stays maximum.
- 5、Material:solid brass.



**GH403M(Mini hinge)**

Glass to glass 135°

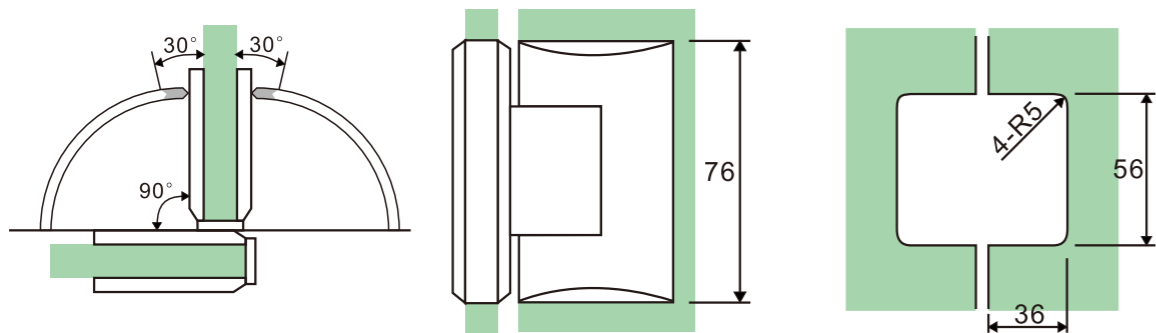
- 1、Fit for 6mm/8mm Glass.
- 2、Self-closing at about 30°
- 3、Max. glass door weight: 45kg
- 4、Double sides action non-handed 90° stays maximum.
- 5、Material:solid brass.



**GH402M(Mini hinge)**

Glass to glass 90°

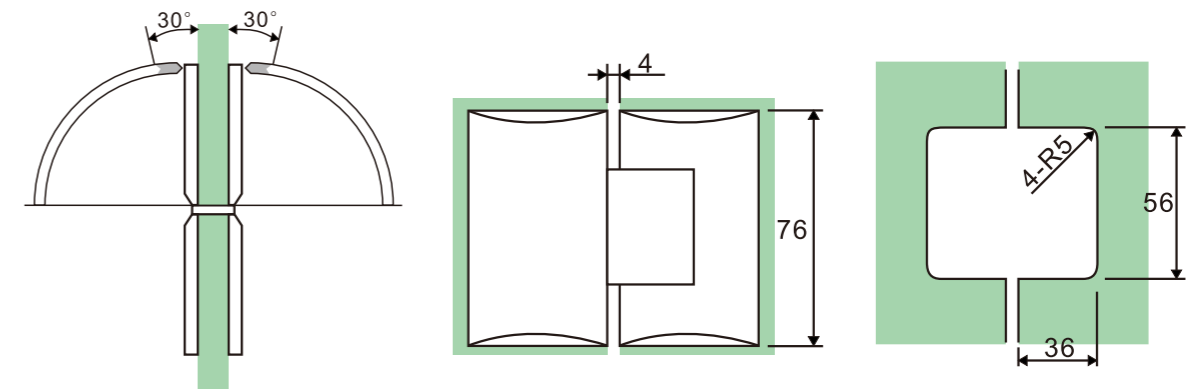
- 1、Fit for 6mm/8mm Glass.
- 2、Self-closing at about 30°
- 3、Max. glass door weight: 35kg
- 4、Double sides action non-handed 90° stays maximum.
- 5、Material:solid brass.



**GH404M(Mini hinge)**

Glass to glass 180°

- 1、Fit for 6mm/8mm Glass.
- 2、Self-closing at about 30°
- 3、Max. glass door weight: 35kg
- 4、Double sides action non-handed 90° stays maximum.
- 5、Material:solid brass.

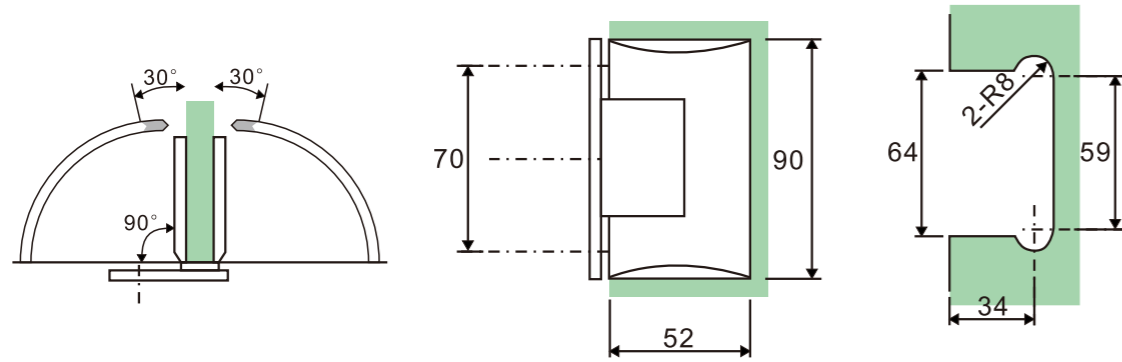




**GH401-L**

Offset hinge

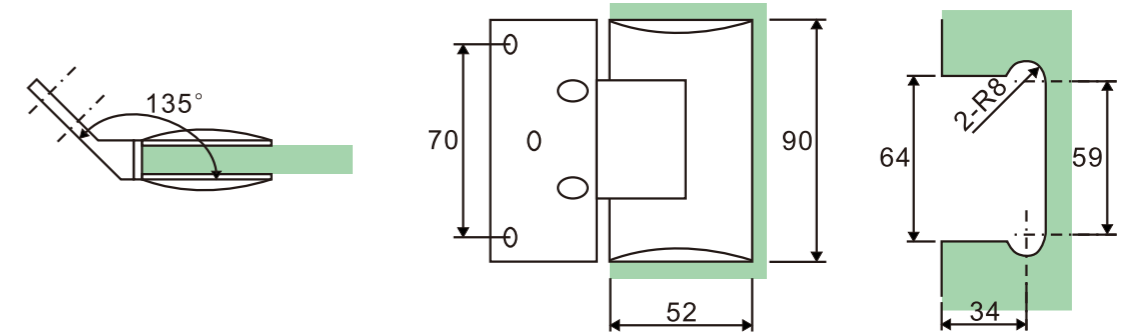
1. Fit for 8mm-12mm Glass.
2. Self-closing at about 30°
3. Max. glass door weight: 45kg
4. Double sides action non-handed 90° stays maximum.
5. Material:solid brass.



**GH401-L135**

Glass to wall 135°

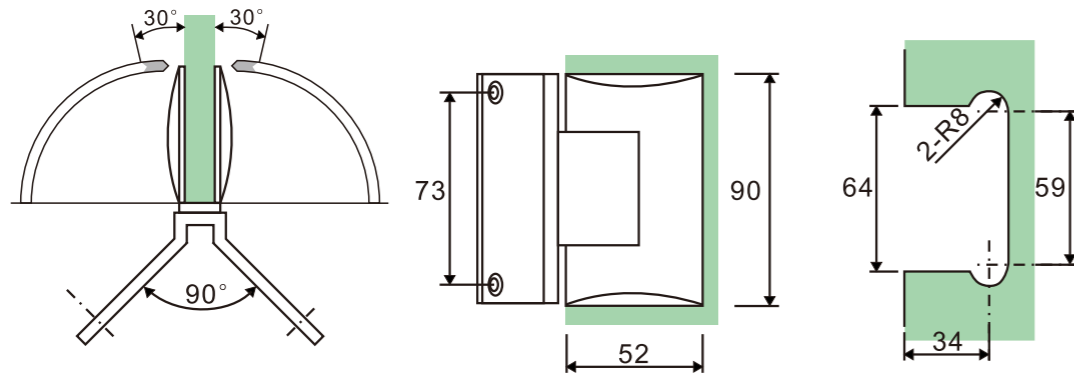
1. Fit for 8mm-12mm Glass.
2. Self-closing at about 30°
3. Max. glass door weight: 45kg
4. Double sides action non-handed 90° stays maximum.
5. Material:solid brass.



**GH401-Y**

Glass to wall adjustable

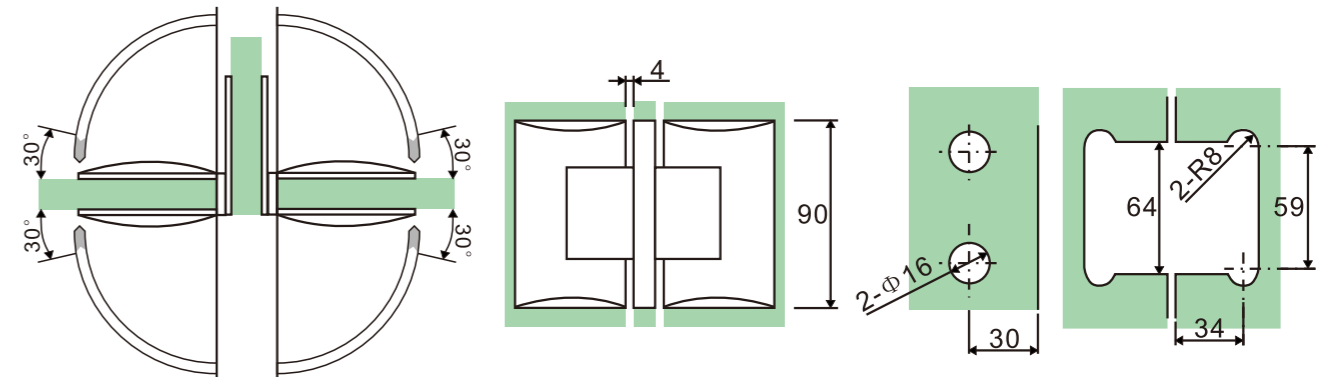
1. Fit for 8mm-12mm Glass.
2. Self-closing at about 30°
3. Max. glass door weight: 45kg
4. Double sides action non-handed 90° stays maximum.
5. Material:solid brass.



**GH402-D**

Twin hinge

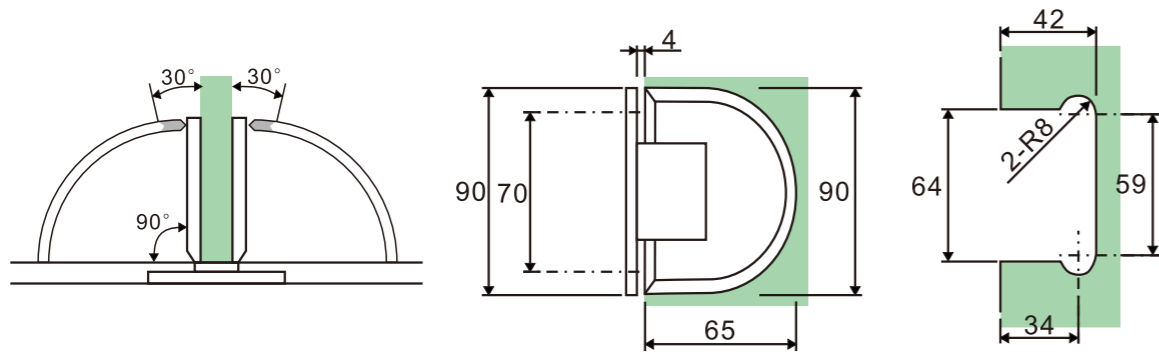
1. Fit for 8mm-12mm Glass.
2. Self-closing at about 30°
3. Max. glass door weight: 45kg
4. Double sides action non-handed 90° stays maximum.
5. Material:solid brass.



**GH501**

Glass to wall 90°

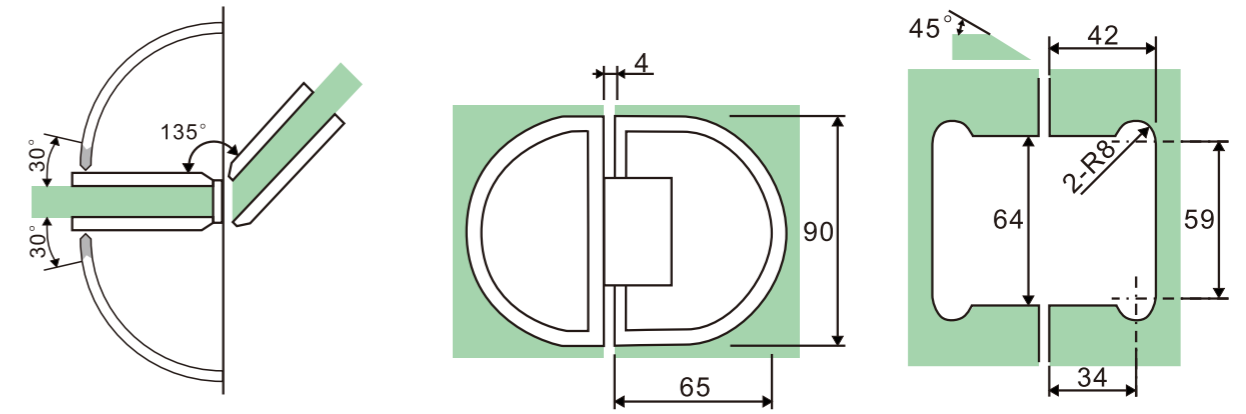
1. Fit for 8mm-12mm Glass.
2. Self-closing at about 30°
3. Max. glass door weight: 45kg
4. Double sides action non-handed 90° stays maximum.
5. Material:solid brass.



**GH503**

Glass to glass 135°

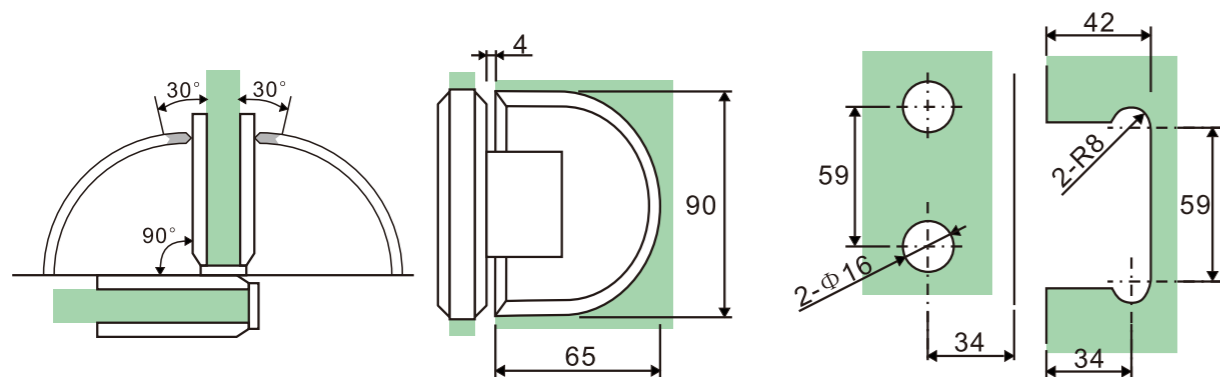
1. Fit for 8mm-12mm Glass.
2. Self-closing at about 30°
3. Max. glass door weight: 45kg
4. Double sides action non-handed 90° stays maximum.
5. Material:solid brass.



**GH502**

Glass to glass 90°

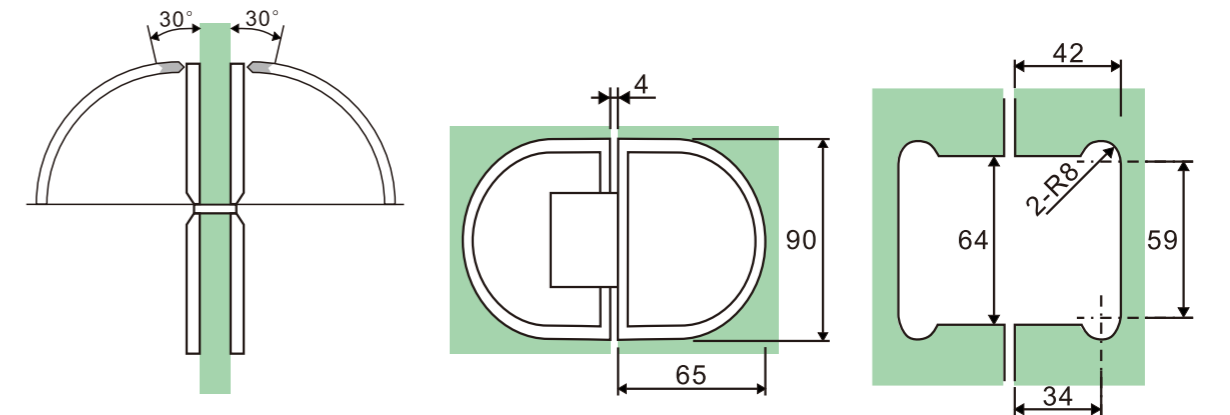
1. Fit for 8mm-12mm Glass.
2. Self-closing at about 30°
3. Max. glass door weight: 45kg
4. Double sides action non-handed 90° stays maximum.
5. Material:solid brass.



**GH504**

Glass to glass 180°

1. Fit for 8mm-12mm Glass.
2. Self-closing at about 30°
3. Max. glass door weight: 45kg
4. Double sides action non-handed 90° stays maximum.
5. Material:solid brass.



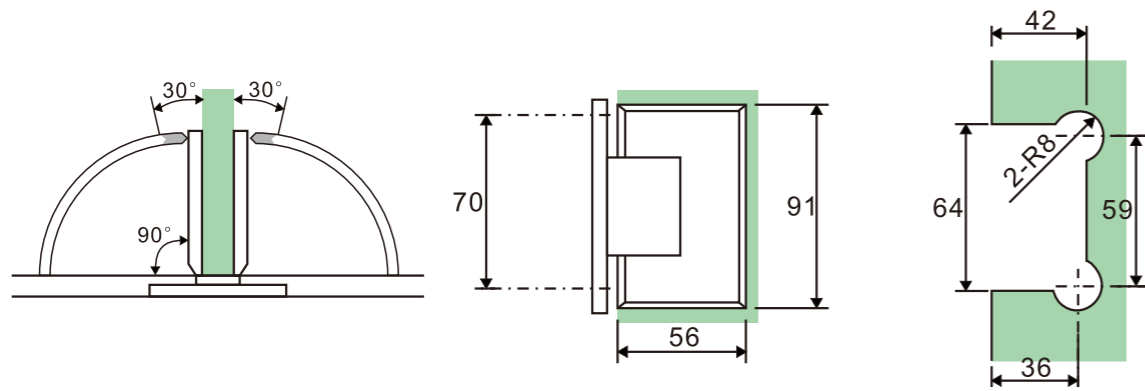




**GH601**

Glass to wall 90°

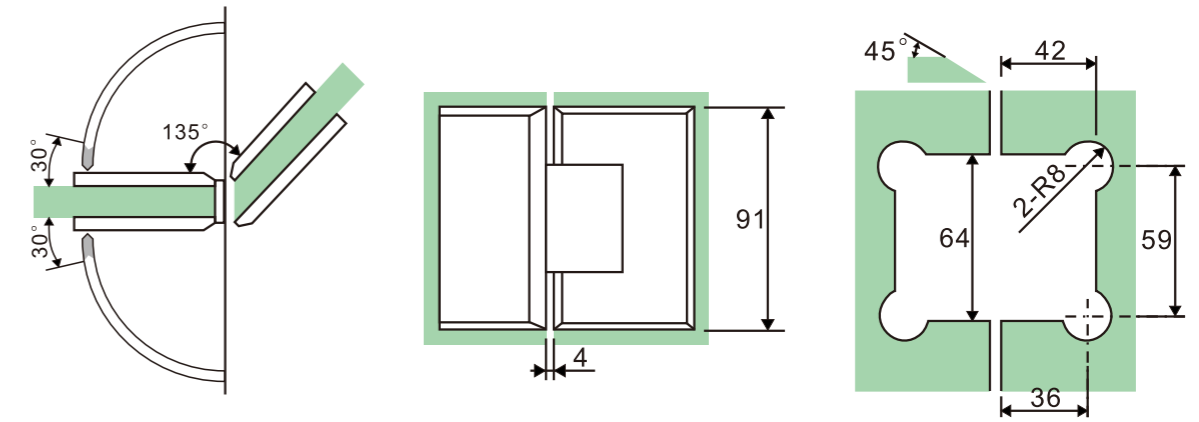
- 1、Fit for 8mm-12mm Glass.
- 2、Self-closing at about 30°
- 3、Max. glass door weight: 45kg
- 4、Double sides action non-handed 90° stays maximum.
- 5、Material:solid brass.



**GH603**

Glass to glass 135°

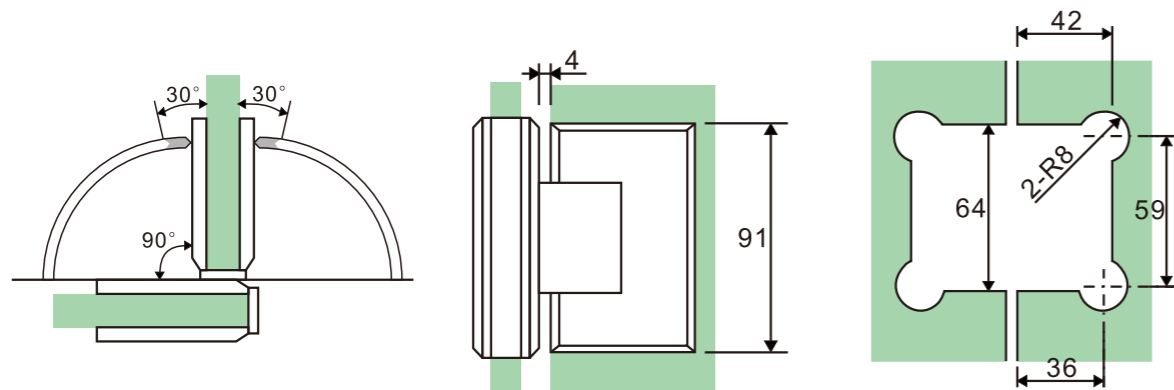
- 1、Fit for 8mm-12mm Glass.
- 2、Self-closing at about 30°
- 3、Max. glass door weight: 45kg
- 4、Double sides action non-handed 90° stays maximum.
- 5、Material:solid brass.



**GH602**

Glass to glass 90°

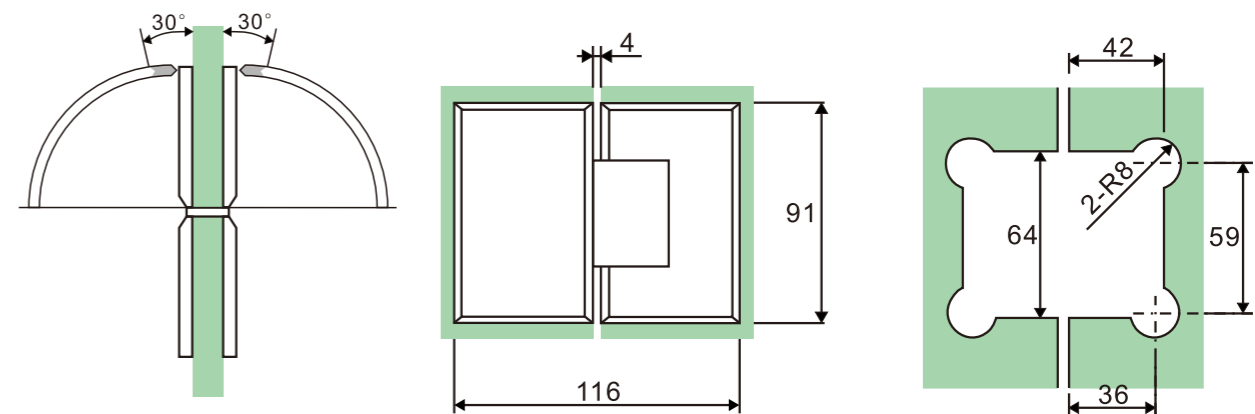
- 1、Fit for 8mm-12mm Glass.
- 2、Self-closing at about 30°
- 3、Max. glass door weight: 45kg
- 4、Double sides action non-handed 90° stays maximum.
- 5、Material:solid brass.



**GH604**

Glass to glass 180°

- 1、Fit for 8mm-12mm Glass.
- 2、Self-closing at about 30°
- 3、Max. glass door weight: 45kg
- 4、Double sides action non-handed 90° stays maximum.
- 5、Material:solid brass.

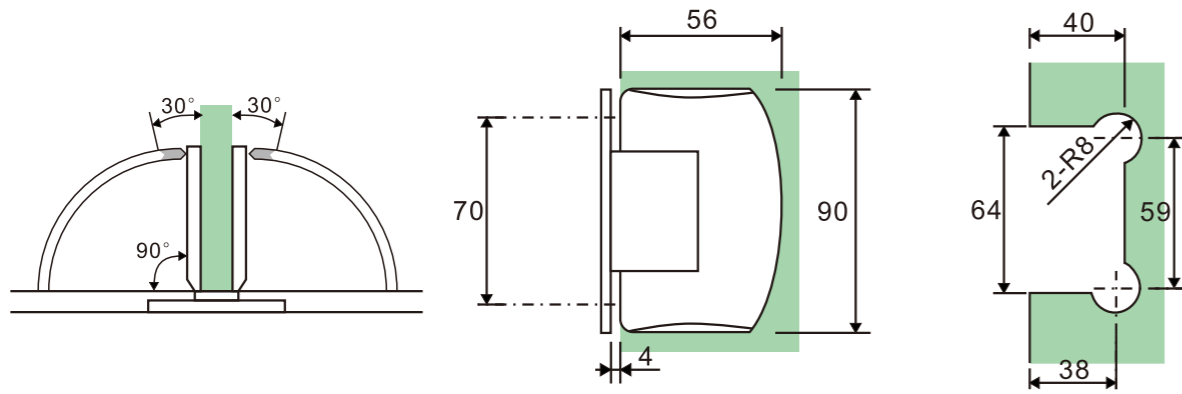




**GH701**

Glass to wall 90°

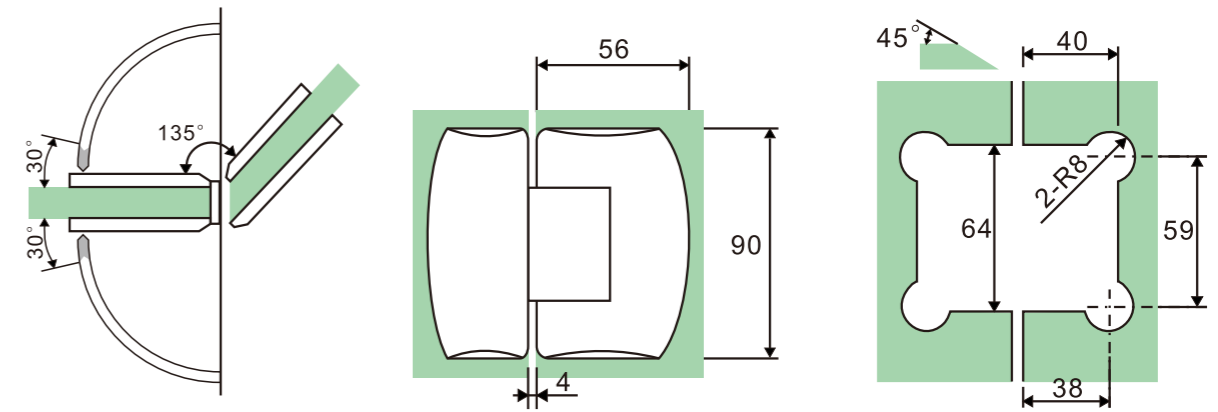
- 1、 Fit for 8mm-12mm Glass.
- 2、 Self-closing at about 30°
- 3、 Max. glass door weight: 45kg
- 4、 Double sides action non-handed 90° stays maximum.
- 5、 Material:solid brass.



**GH703**

Glass to glass 135°

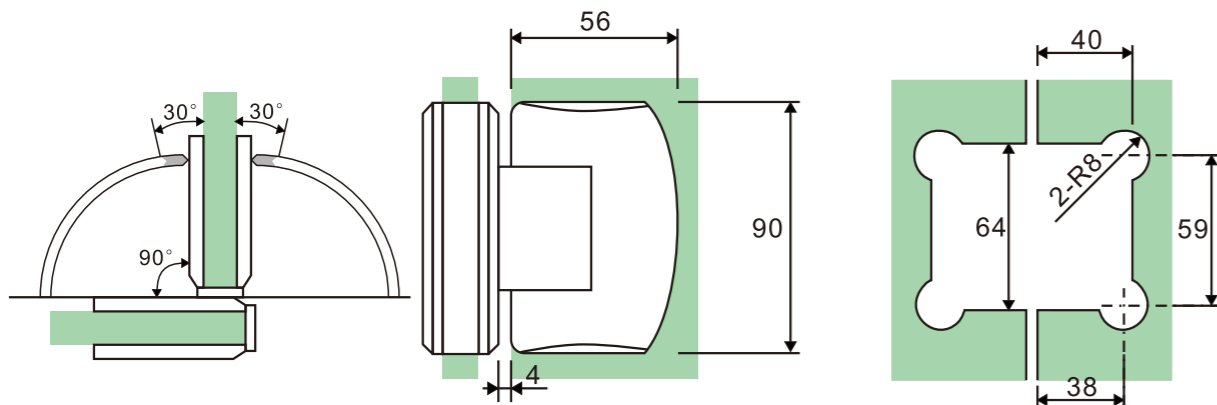
- 1、 Fit for 8mm-12mm Glass.
- 2、 Self-closing at about 30°
- 3、 Max. glass door weight: 45kg
- 4、 Double sides action non-handed 90° stays maximum.
- 5、 Material:solid brass.



**GH702**

Glass to glass 90°

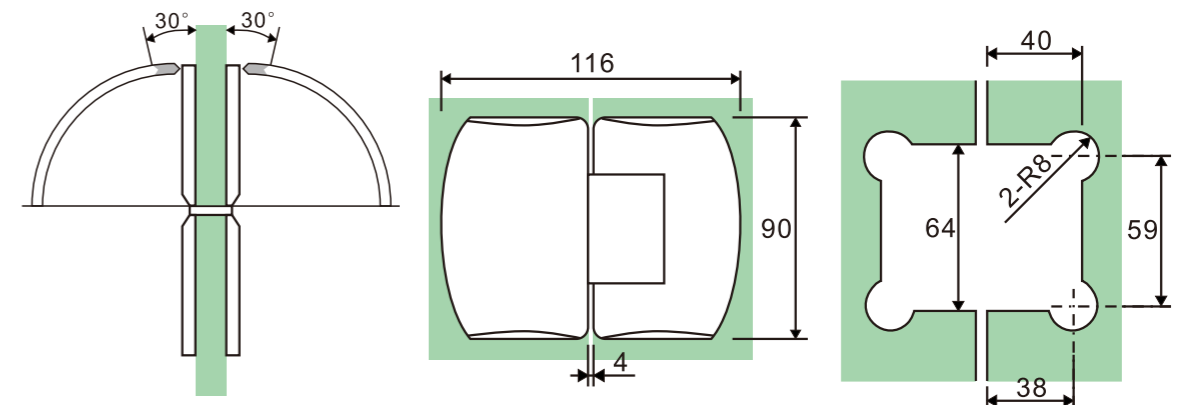
- 1、 Fit for 8mm-12mm Glass.
- 2、 Self-closing at about 30°
- 3、 Max. glass door weight: 45kg
- 4、 Double sides action non-handed 90° stays maximum.
- 5、 Material:solid brass.



**GH704**

Glass to glass 180°

- 1、 Fit for 8mm-12mm Glass.
- 2、 Self-closing at about 30°
- 3、 Max. glass door weight: 45kg
- 4、 Double sides action non-handed 90° stays maximum.
- 5、 Material:solid brass.

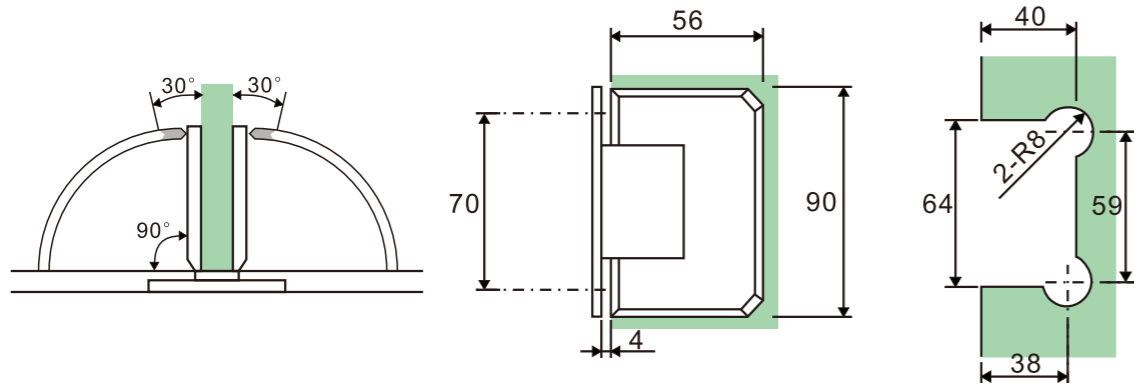




**GH801**

Glass to wall 90°

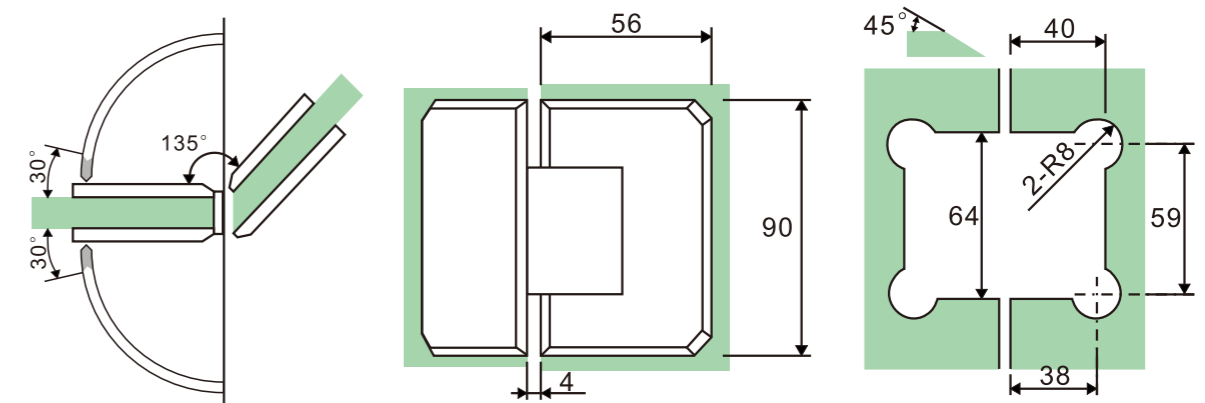
- 1、Fit for 8mm-12mm Glass.
- 2、Self-closing at about 30°
- 3、Max. glass door weight: 45kg
- 4、Double sides action non-handed 90° stays maximum.
- 5、Material:solid brass.



**GH803**

Glass to glass 135°

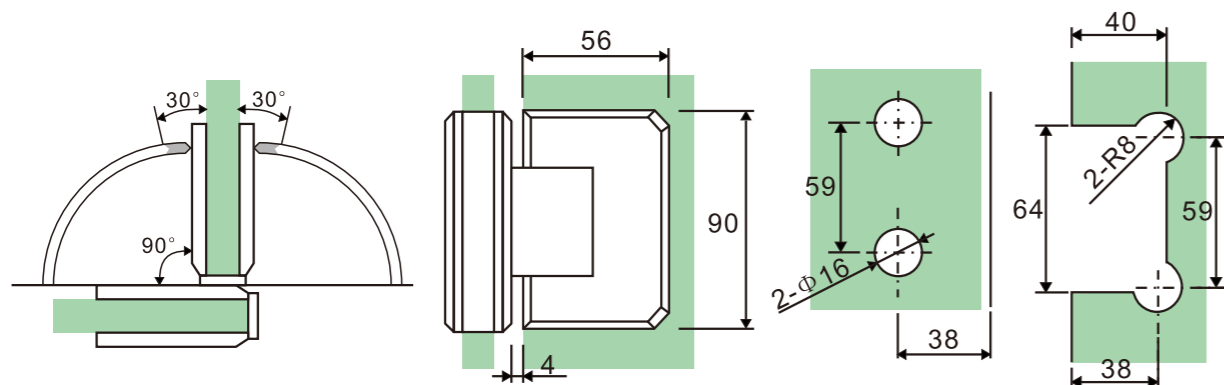
- 1、Fit for 8mm-12mm Glass.
- 2、Self-closing at about 30°
- 3、Max. glass door weight: 45kg
- 4、Double sides action non-handed 90° stays maximum.
- 5、Material:solid brass.



**GH802**

Glass to glass 90°

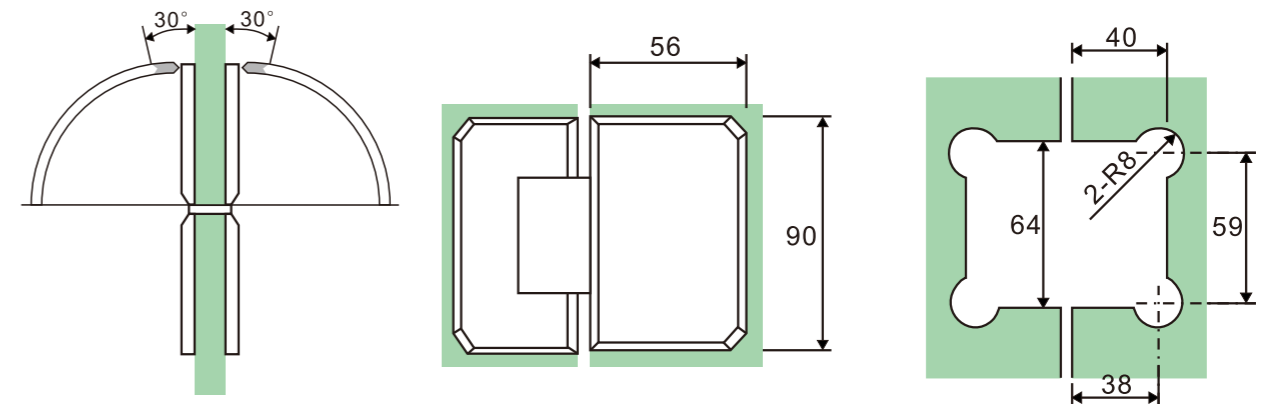
- 1、Fit for 8mm-12mm Glass.
- 2、Self-closing at about 30°
- 3、Max. glass door weight: 45kg
- 4、Double sides action non-handed 90° stays maximum.
- 5、Material:solid brass.



**GH804**

Glass to glass 180°

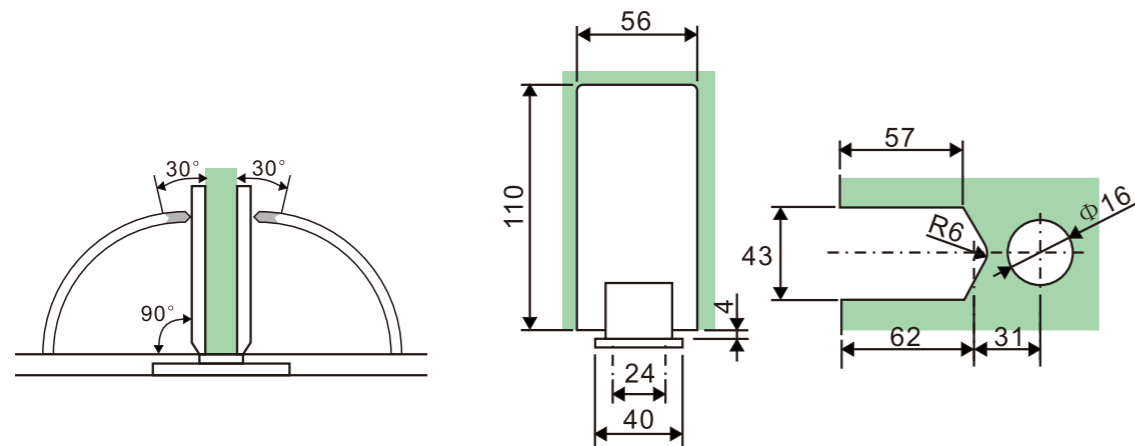
- 1、Fit for 8mm-12mm Glass.
- 2、Self-closing at about 30°
- 3、Max. glass door weight: 45kg
- 4、Double sides action non-handed 90° stays maximum.
- 5、Material:solid brass.



**GH901**

Glass to wall 90°

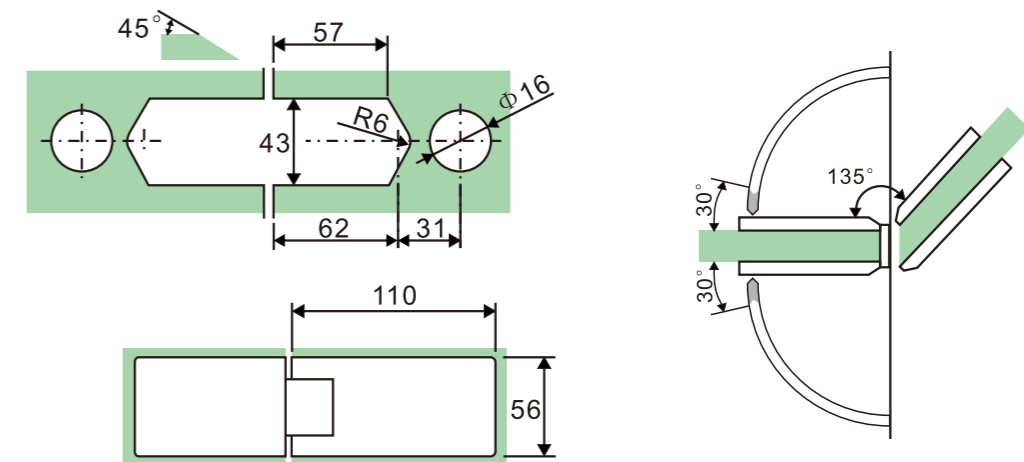
1. Fit for 8mm-12mm Glass.
2. Self-closing at about 30°
3. Max. glass door weight: 45kg
4. Double sides action non-handed 90° stays maximum.
5. Material:solid brass.



**GH903**

Glass to glass 135°

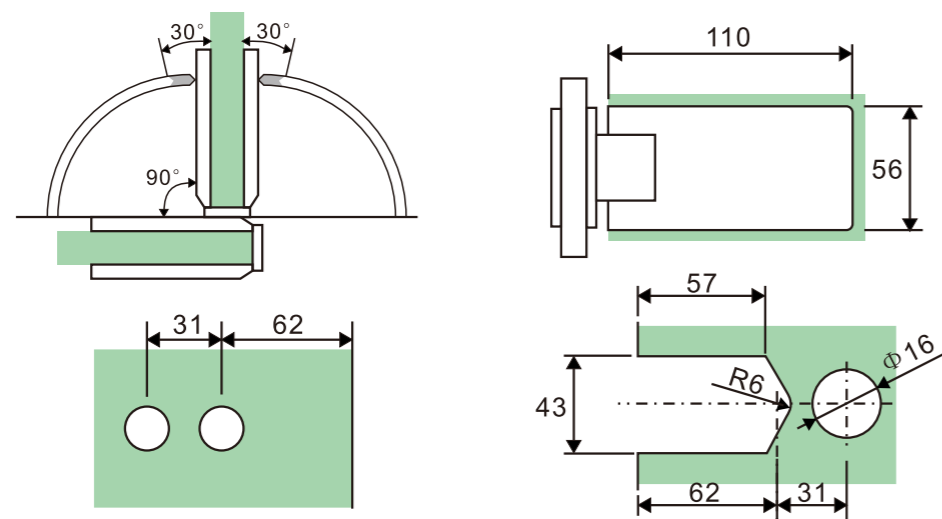
1. Fit for 8mm-12mm Glass.
2. Self-closing at about 30°
3. Max. glass door weight: 45kg
4. Double sides action non-handed 90° stays maximum.
5. Material:solid brass.



**GH902**

Glass to glass 90°

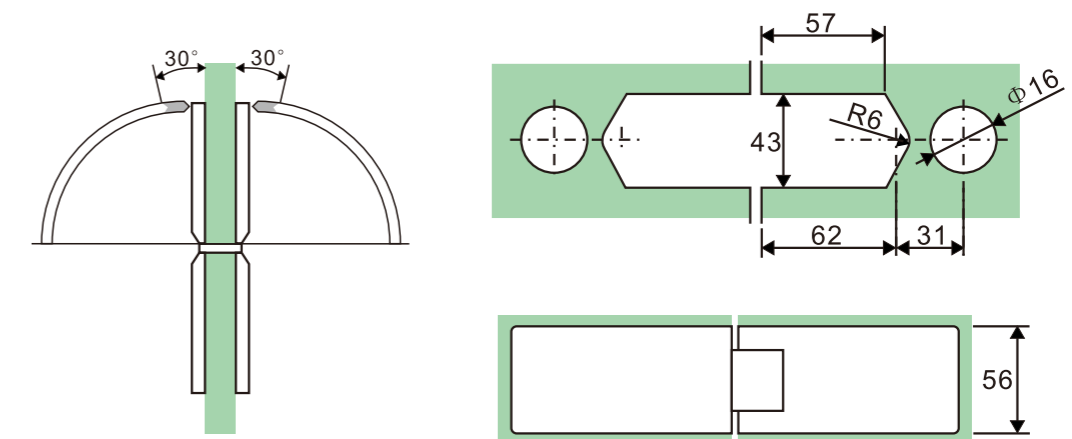
1. Fit for 8mm-12mm Glass.
2. Self-closing at about 30°
3. Max. glass door weight: 45kg
4. Double sides action non-handed 90° stays maximum.
5. Material:solid brass.



**GH904**

Glass to glass 180°

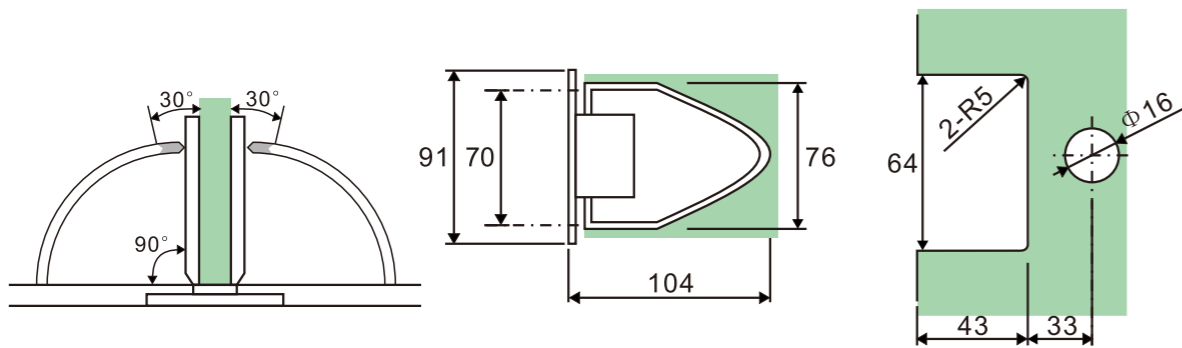
1. Fit for 8mm-12mm Glass.
2. Self-closing at about 30°
3. Max. glass door weight: 45kg
4. Double sides action non-handed 90° stays maximum.
5. Material:solid brass.



**GH1001**

Glass to wall 90°

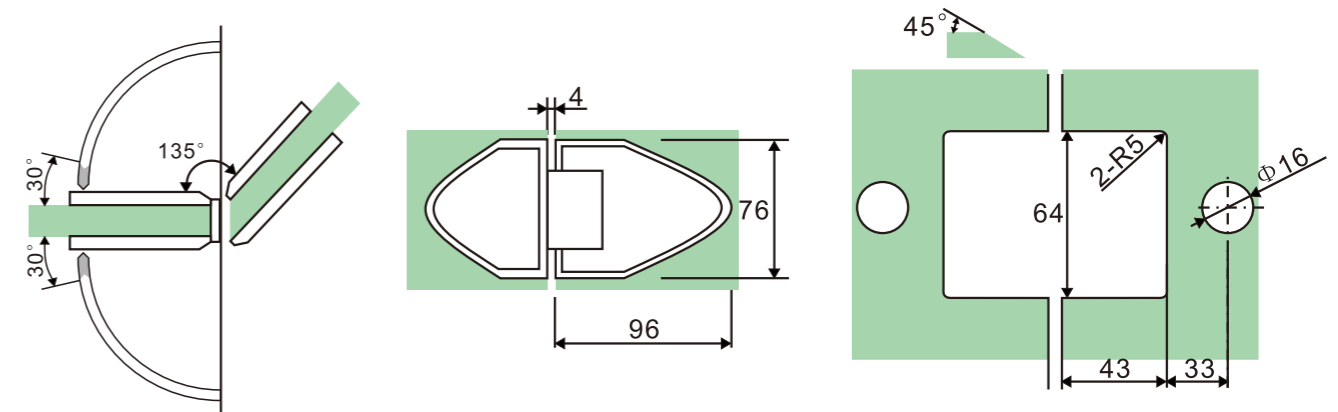
1. Fit for 8mm-12mm Glass.
2. Self-closing at about 30°
3. Max. glass door weight: 45kg
4. Double sides action non-handed 90° stays maximum.
5. Material:solid brass.



**GH1003**

Glass to glass 135°

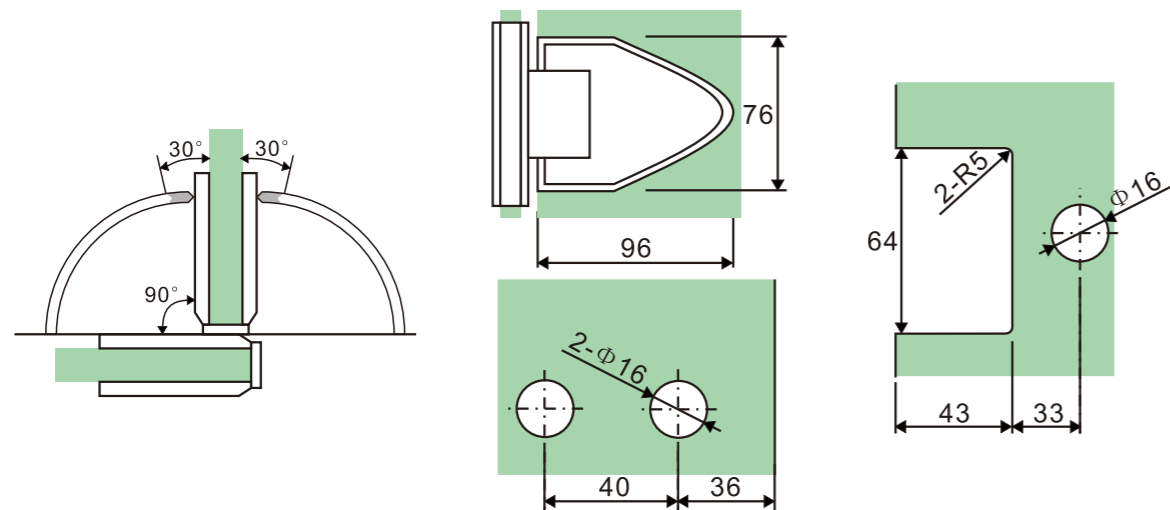
1. Fit for 8mm-12mm Glass.
2. Self-closing at about 30°
3. Max. glass door weight: 45kg
4. Double sides action non-handed 90° stays maximum.
5. Material:solid brass.



**GH1002**

Glass to glass 90°

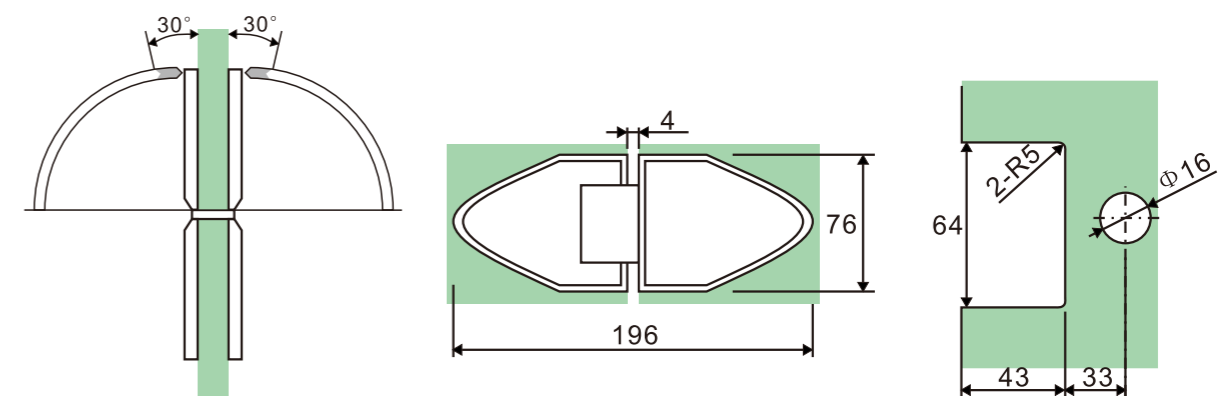
1. Fit for 8mm-12mm Glass.
2. Self-closing at about 30°
3. Max. glass door weight: 45kg
4. Double sides action non-handed 90° stays maximum.
5. Material:solid brass.



**GH1004**

Glass to glass 180°

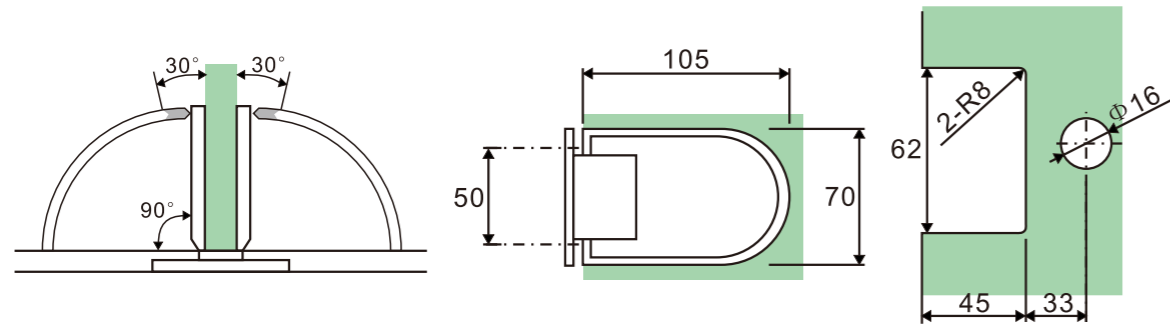
1. Fit for 8mm-12mm Glass.
2. Self-closing at about 30°
3. Max. glass door weight: 45kg
4. Double sides action non-handed 90° stays maximum.
5. Material:solid brass.



**GH1101**

Glass to wall 90°

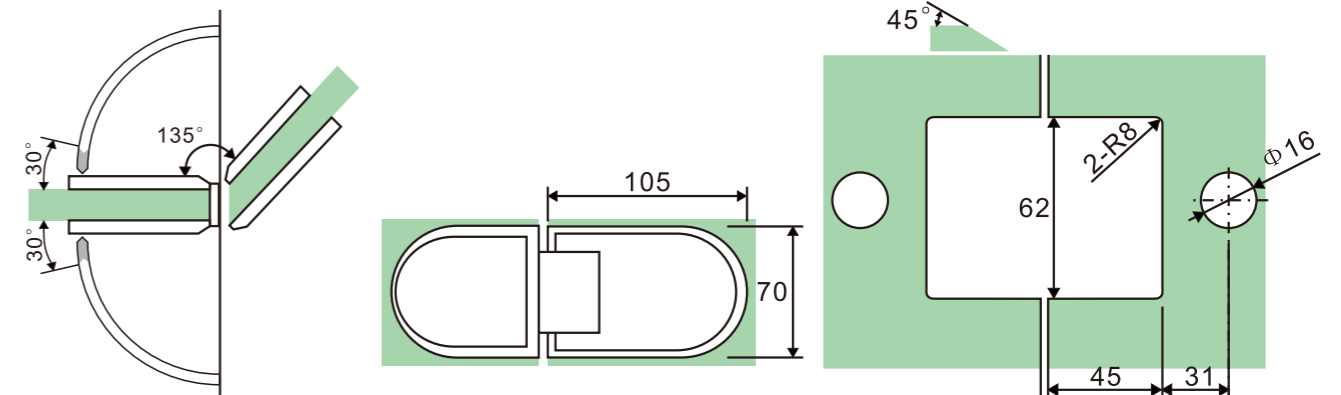
1. Fit for 8mm-12mm Glass.
2. Self-closing at about 30°
3. Max. glass door weight: 45kg
4. Double sides action non-handed 90° stays maximum.
5. Material:solid brass.



**GH1103**

Glass to glass 135°

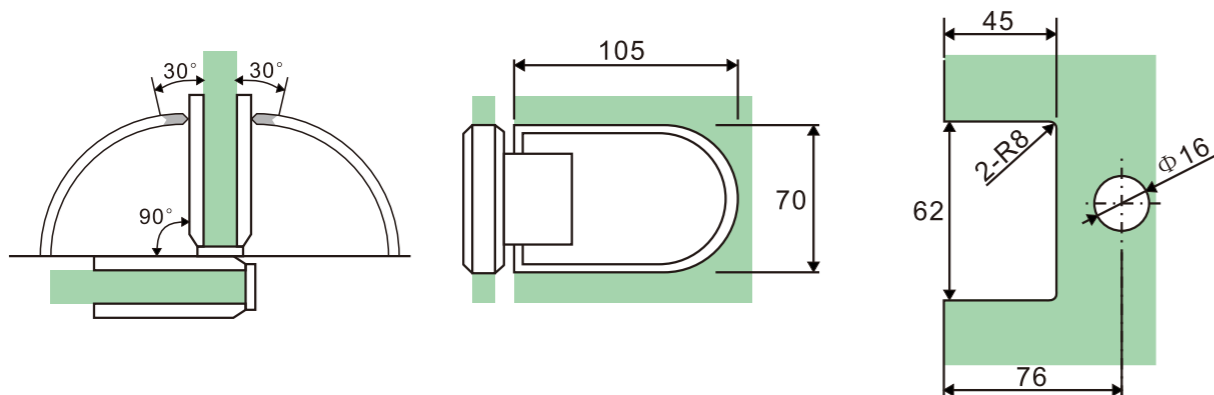
1. Fit for 8mm-12mm Glass.
2. Self-closing at about 30°
3. Max. glass door weight: 45kg
4. Double sides action non-handed 90° stays maximum.
5. Material:solid brass.



**GH1102**

Glass to glass 90°

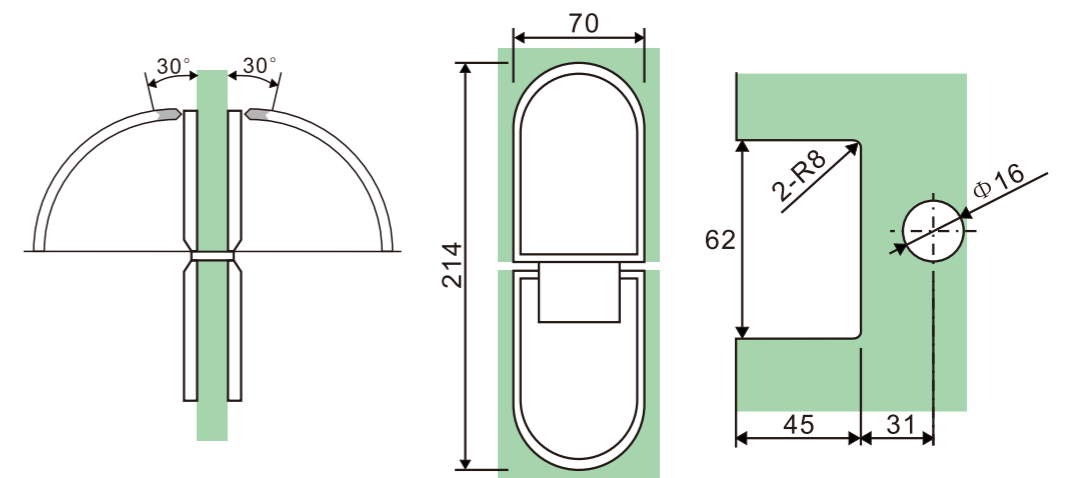
1. Fit for 8mm-12mm Glass.
2. Self-closing at about 30°
3. Max. glass door weight: 45kg
4. Double sides action non-handed 90° stays maximum.
5. Material:solid brass.



**GH1104**

Glass to glass 180°

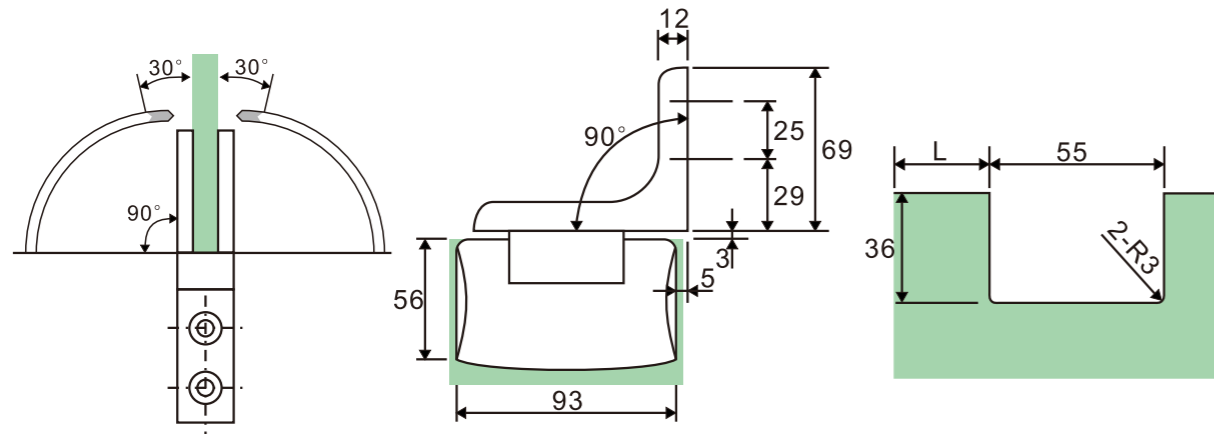
1. Fit for 8mm-12mm Glass.
2. Self-closing at about 30°
3. Max. glass door weight: 45kg
4. Double sides action non-handed 90° stays maximum.
5. Material:solid brass.



**GH701-L**

Glass to wall angle adjustable

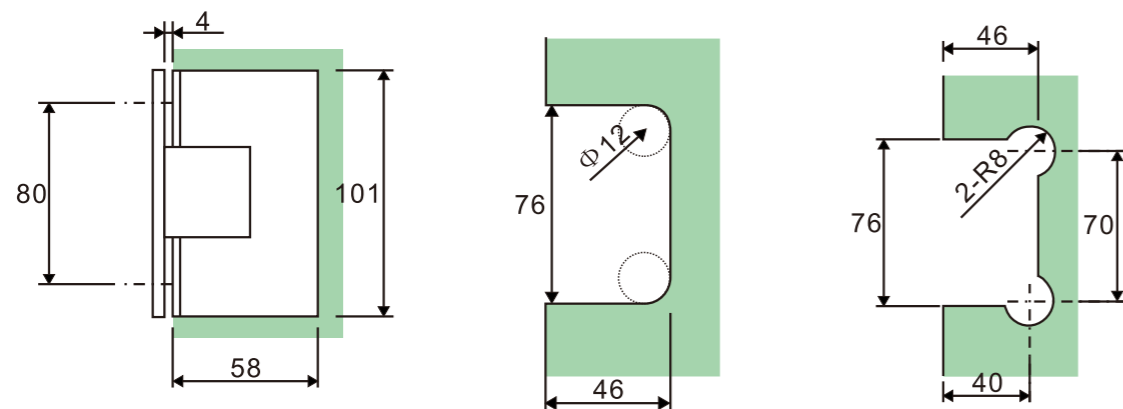
- 1、Fit for 8mm-12mm Glass.
- 2、Self-closing at about 30°
- 3、Max. glass door weight: 45kg
- 4、Double sides action non-handed 90° stays maximum.
- 5、Material:solid brass.



**GH101-BT**

Glass to wall 90°

- 1、Fit for 10mm-12mm Glass.
- 2、Self-closing at about 30°
- 3、Max. glass door weight: 50kg
- 4、Double sides action non-handed 90° stays maximum.
- 5、Material:solid brass.

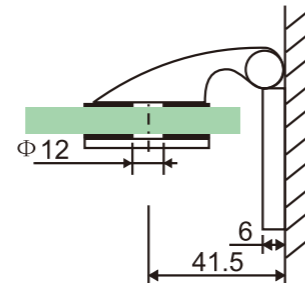
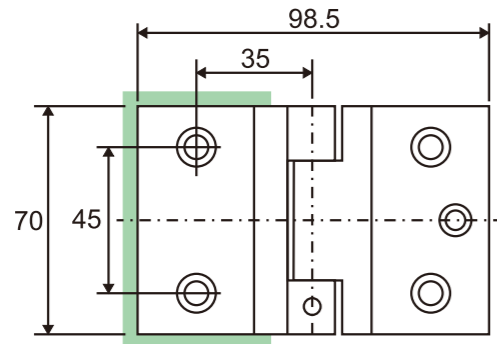


**Bifold Shower Hinges Series**

**GHW101**

Glass to wall

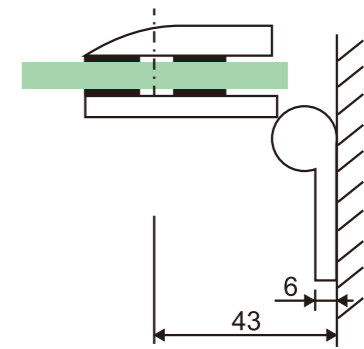
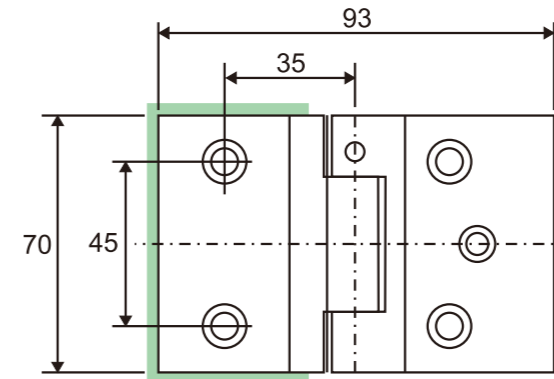
1. Fit for 6mm-10mm Glass.
2. Max. glass door weight: 30kg
3. Material:solid brass.



**GHW111**

Glass to wall

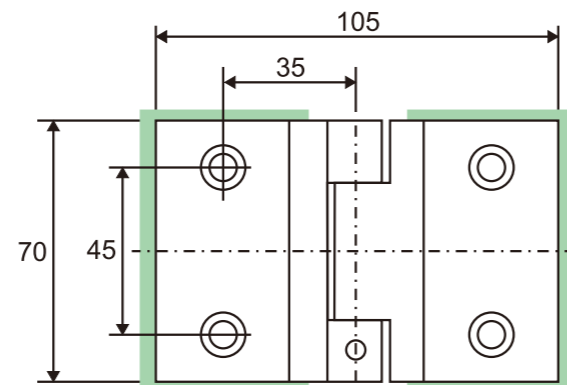
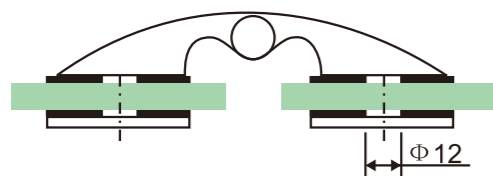
1. Fit for 6mm-10mm Glass.
2. Max. glass door weight: 30kg
3. Material:solid brass.



**GHW102**

Glass to glass

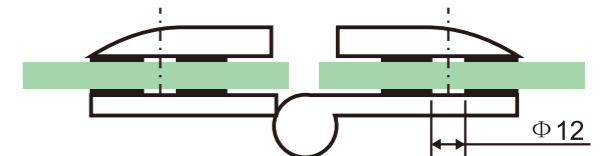
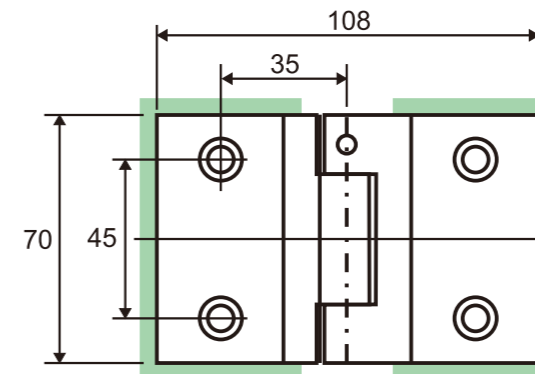
1. Fit for 6mm-10mm Glass.
2. Max. glass door weight: 30kg
3. Material:solid brass.



**GHW112**

Glass to glass

1. Fit for 6mm-10mm Glass.
2. Max. glass door weight: 30kg
3. Material:solid brass.

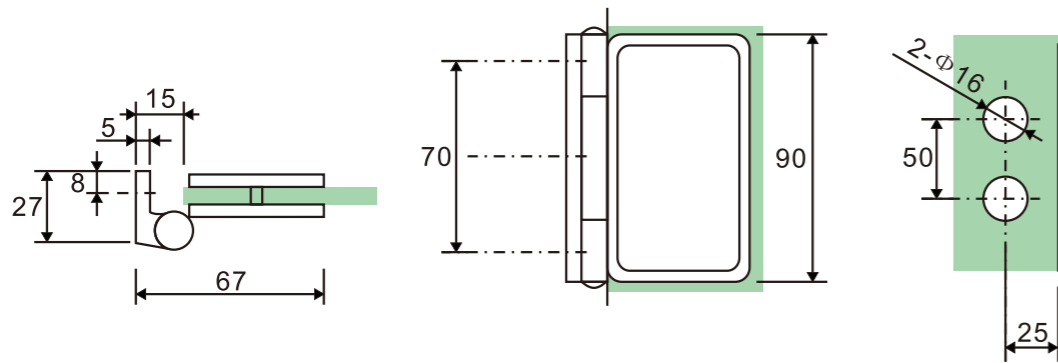




**GHW121**

Glass to wall

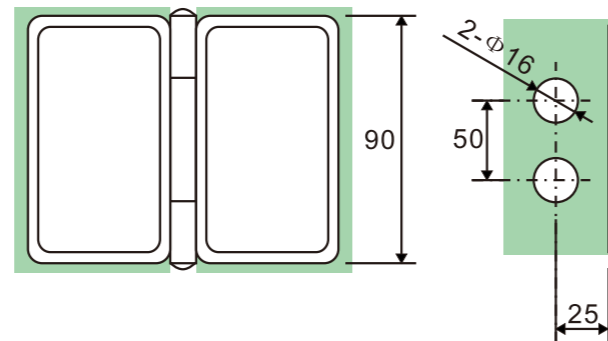
1. Fit for 8mm-12mm Glass.
2. Max. glass door weight: 40kg
3. Material:solid brass.



**GHW122**

Glass to glass

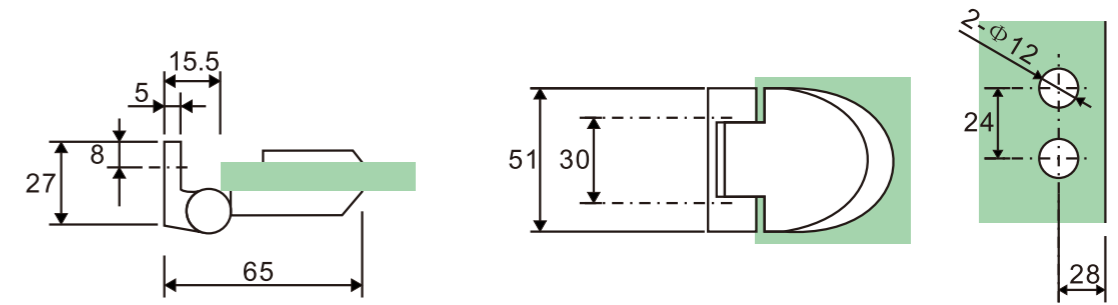
1. Fit for 8mm-12mm Glass.
2. Max. glass door weight: 40kg
3. Material:solid brass.



**GHW131**

Glass to wall

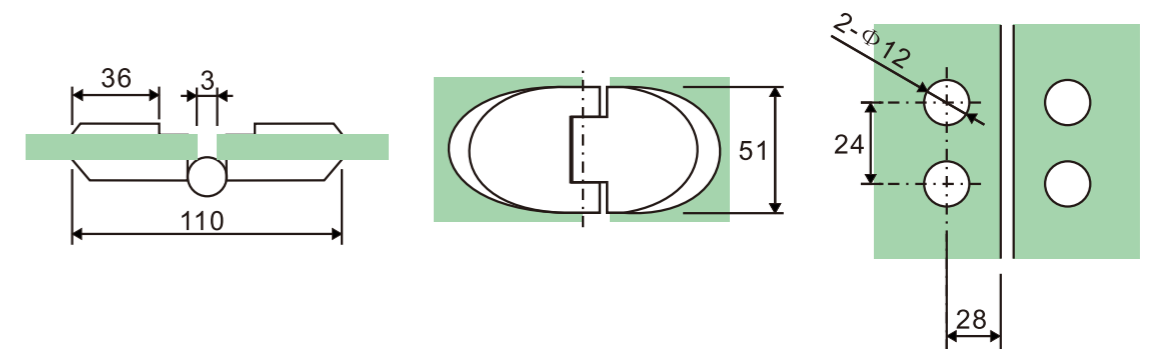
1. Fit for 6mm-10mm Glass.
2. Max. glass door weight: 30kg
3. Material:solid brass.



**GHW132**

Glass to glass

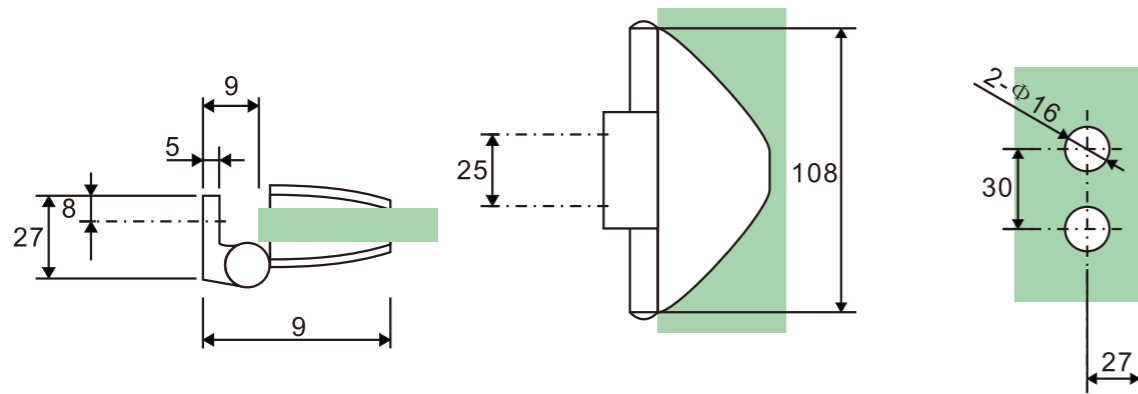
1. Fit for 6mm-10mm Glass.
2. Max. glass door weight: 30kg
3. Material:solid brass.



**GHW141**

Glass to wall

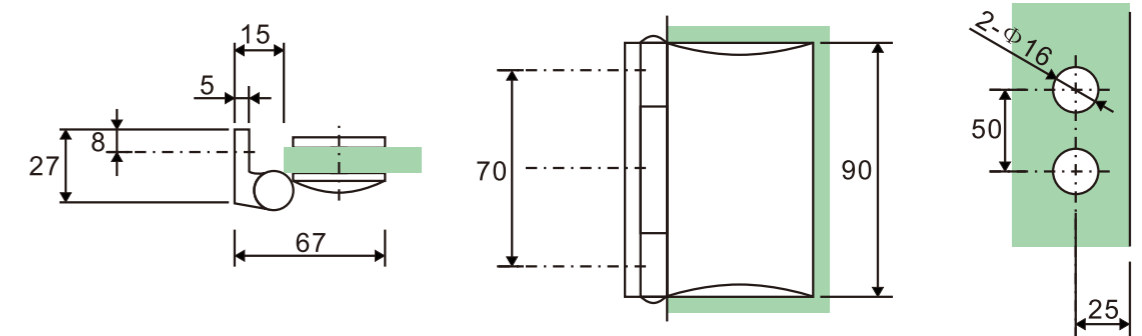
1. Fit for 8mm-12mm Glass.
2. Max. glass door weight: 40kg
3. Material:solid brass.



**GHW151**

Glass to wall

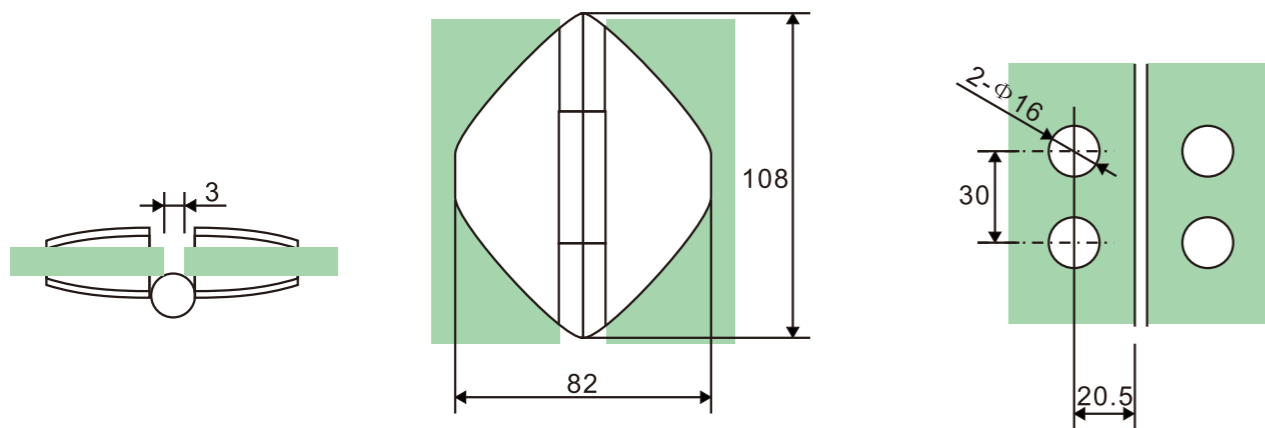
1. Fit for 8mm-12mm Glass.
2. Max. glass door weight: 45kg
3. Material:solid brass.



**GHW142**

Glass to glass

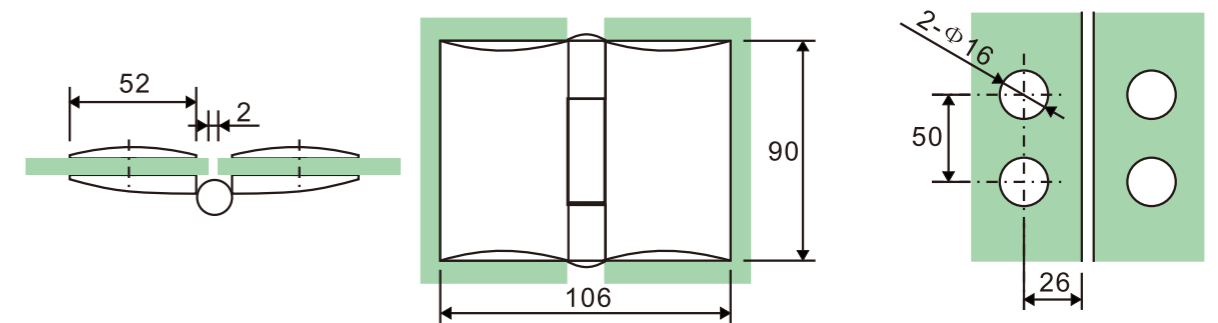
1. Fit for 8mm-12mm Glass.
2. Max. glass door weight: 40kg
3. Material:solid brass.



**GHW152**

Glass to glass

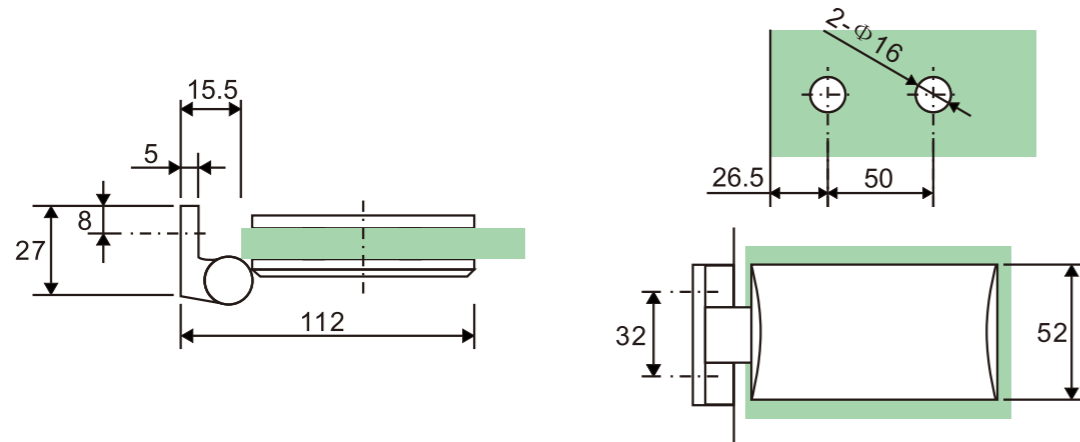
1. Fit for 8mm-12mm Glass.
2. Max. glass door weight: 45kg
3. Material:solid brass.



**GHW161**

Glass to wall

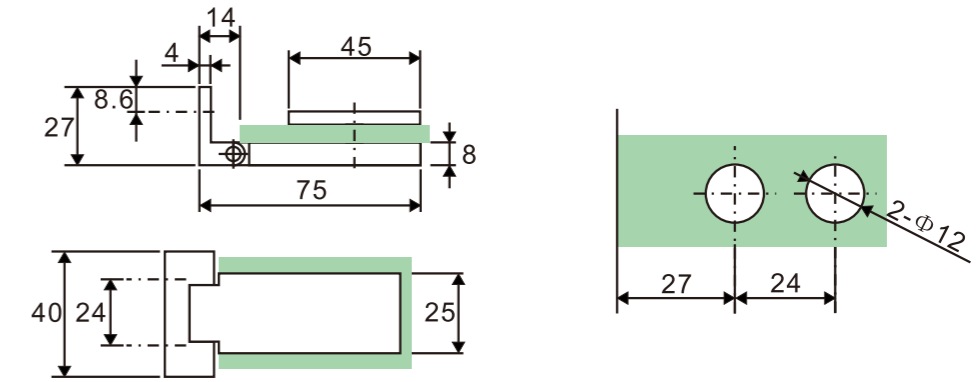
1. Fit for 8mm-12mm Glass.
2. Max. glass door weight: 45kg
3. Material:solid brass.



**GHW171**

Glass to wall

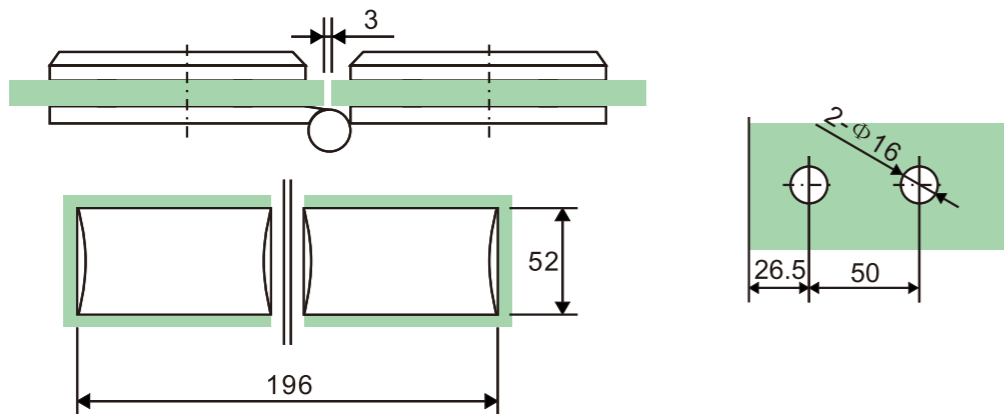
1. Fit for 6mm-10mm Glass.
2. Max. glass door weight: 30kg
3. Material:solid brass.



**GHW162**

Glass to glass

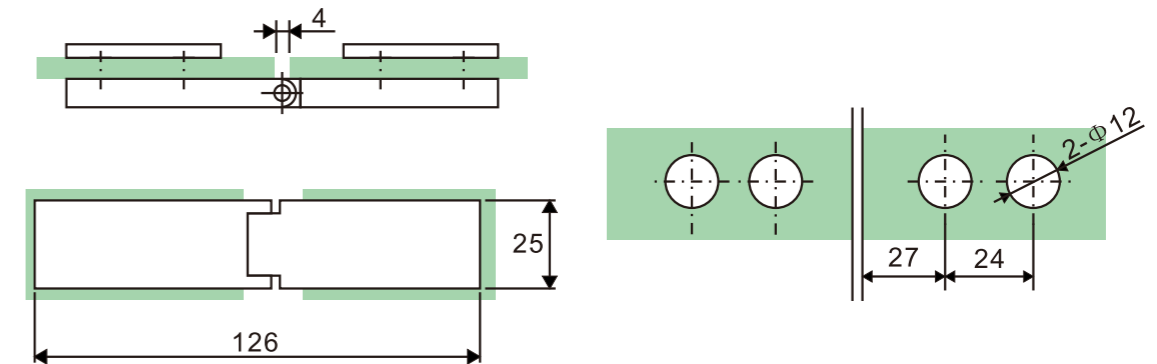
1. Fit for 8mm-12mm Glass.
2. Max. glass door weight: 45kg
3. Material:solid brass.



**GHW172**

Glass to glass

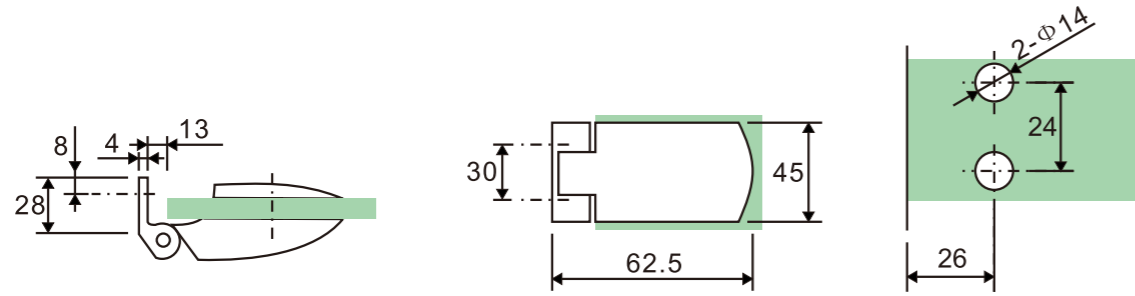
1. Fit for 6mm-10mm Glass.
2. Max. glass door weight: 30kg
3. Material:solid brass.



**GHW181**

Glass to wall

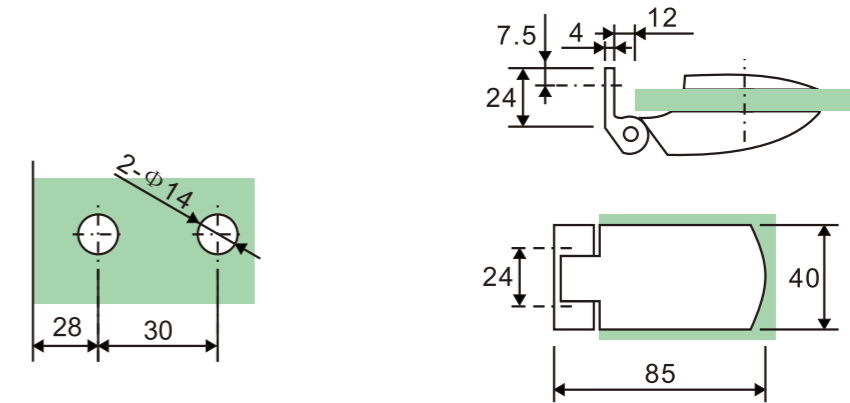
1. Fit for 6mm-10mm Glass.
2. Max. glass door weight: 30kg
3. Material:solid brass.



**GHW191**

Glass to wall

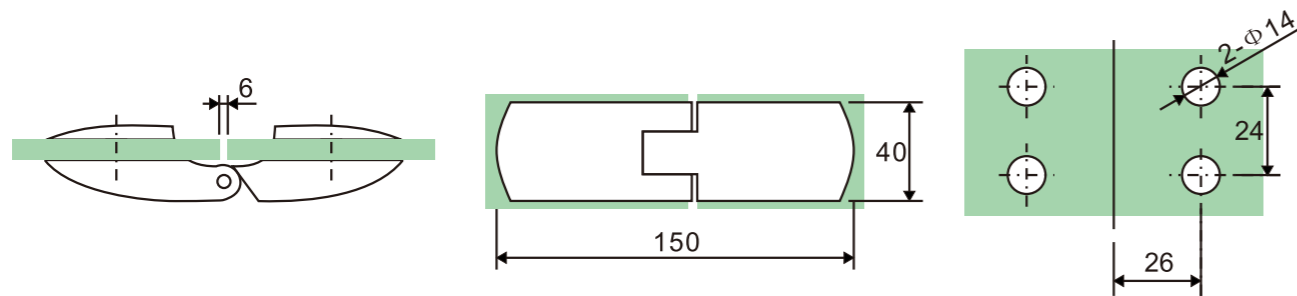
1. Fit for 8mm-12mm Glass.
2. Max. glass door weight: 30kg
3. Material:solid brass.



**GHW182**

Glass to glass

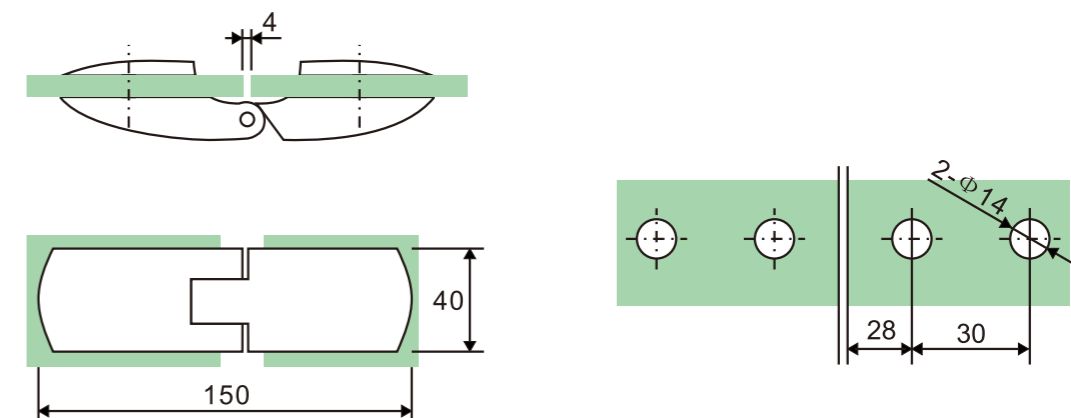
1. Fit for 6mm-10mm Glass.
2. Max. glass door weight: 30kg
3. Material:solid brass.



**GHW192**

Glass to glass

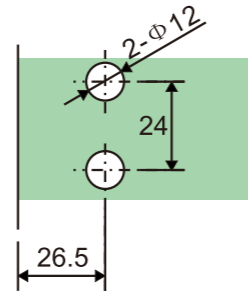
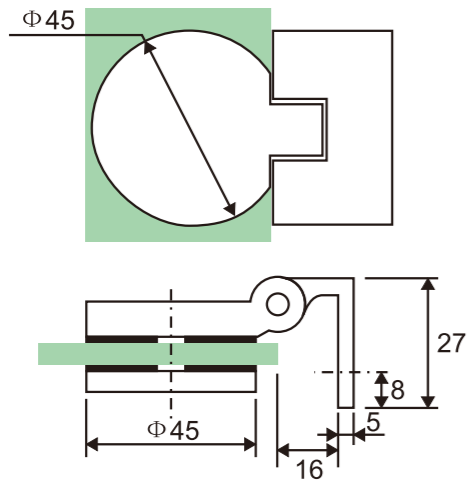
1. Fit for 8mm-12mm Glass.
2. Max. glass door weight: 30kg
3. Material:solid brass.



**GHW201**

Glass to wall

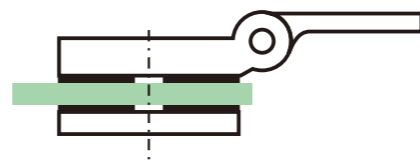
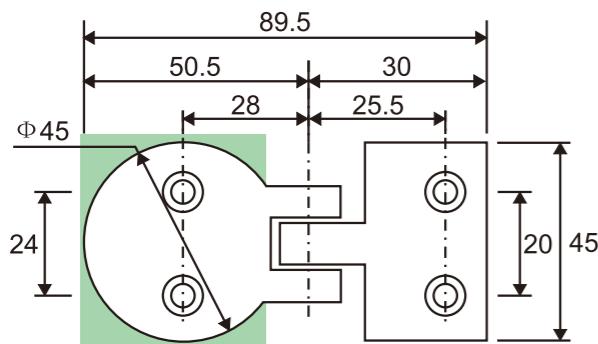
1. Fit for 6mm-10mm Glass.
2. Max. glass door weight: 30kg
3. Material: brass+AL



**GHW211**

Glass to wall

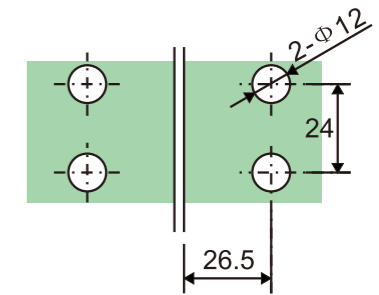
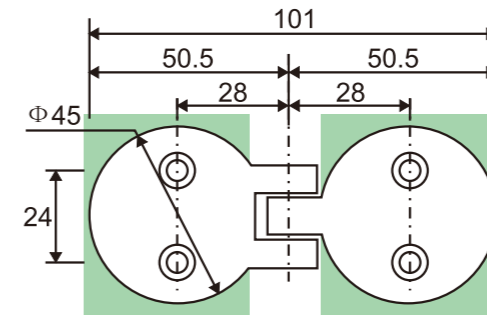
1. Fit for 6mm-10mm Glass.
2. Max. glass door weight: 30kg
3. Material: brass+AL



**GHW212**

Glass to glass

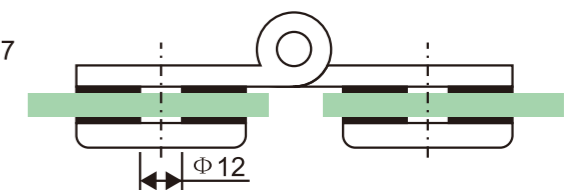
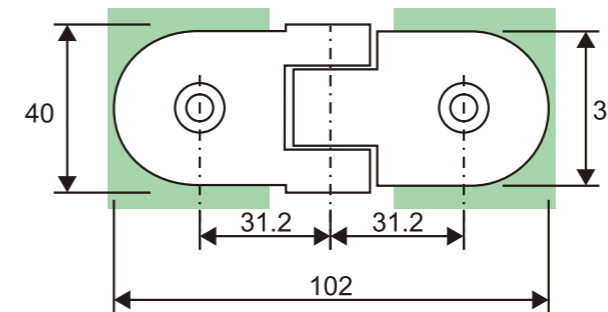
1. Fit for 6mm-10mm Glass.
2. Max. glass door weight: 30kg
3. Material: brass+AL



**GHW212-1**

Glass to glass

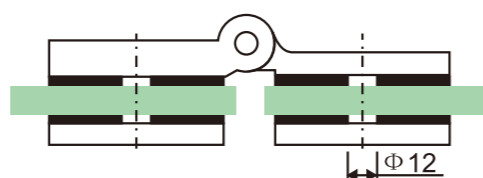
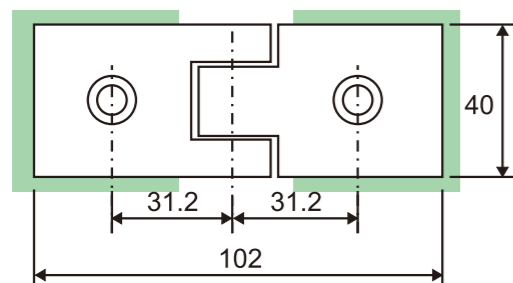
1. Fit for 6mm-10mm Glass.
2. Max. glass door weight: 30kg
3. Material: solid brass.



**GHW212-2**

Glass to glass

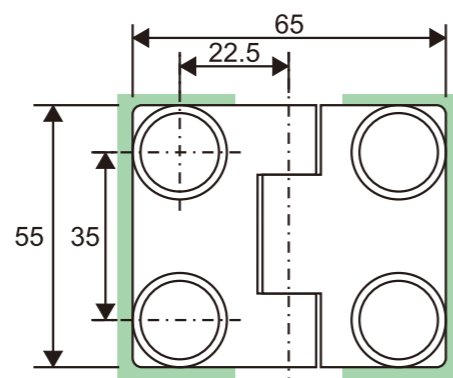
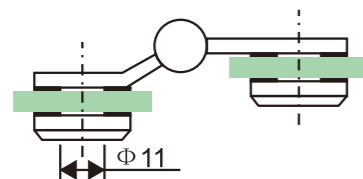
1. Fit for 6mm-10mm Glass.
2. Max. glass door weight: 30kg
3. Material:solid brass.



**GHW212-3**

Glass to glass

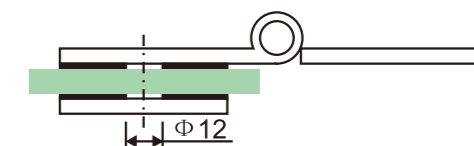
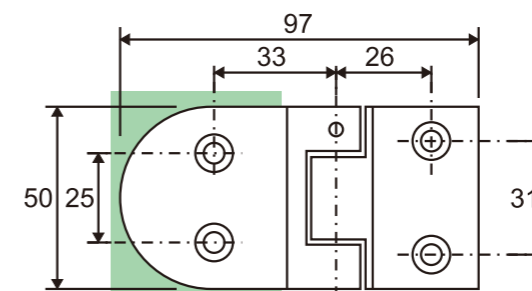
1. Fit for 6mm-10mm Glass.
2. Max. glass door weight: 20kg
3. Material:solid brass.



**GHW221**

Glass to wall

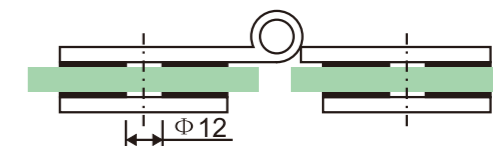
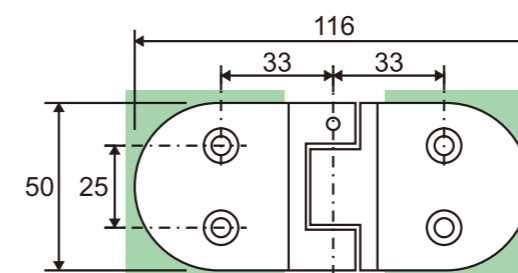
1. Fit for 6mm-10mm Glass.
2. Max. glass door weight: 30kg
3. Material:solid brass.



**GHW222**

Glass to glass

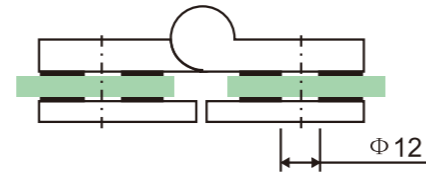
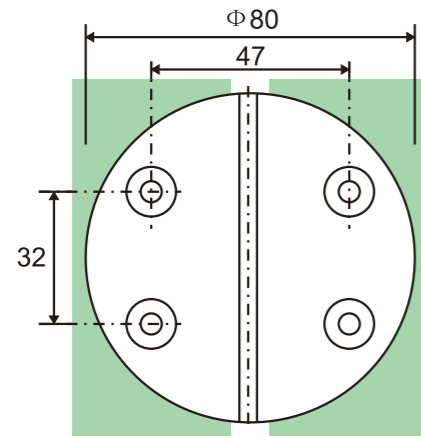
1. Fit for 6mm-10mm Glass.
2. Max. glass door weight: 30kg
3. Material:solid brass.



**GHW232**

Glass to glass

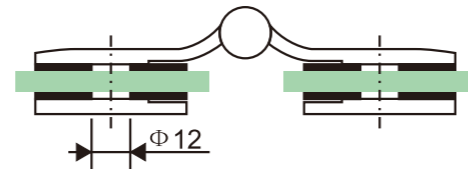
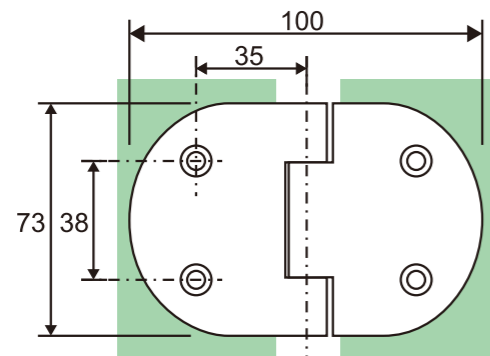
1. Fit for 6mm-10mm Glass.
2. Max. glass door weight: 30kg
3. Material:solid brass.



**GHW232-1**

Glass to glass

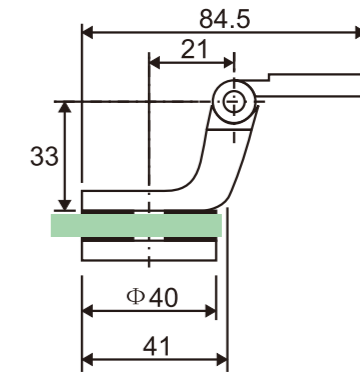
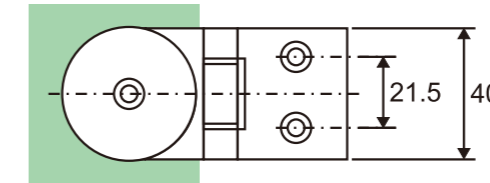
1. Fit for 6mm-10mm Glass.
2. Max. glass door weight: 30kg
3. Material:solid brass.



**GHW241**

Glass to wall

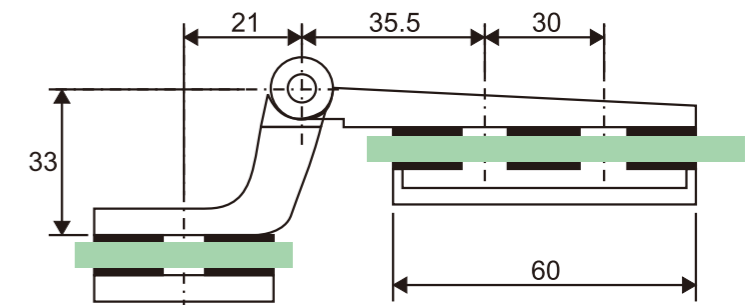
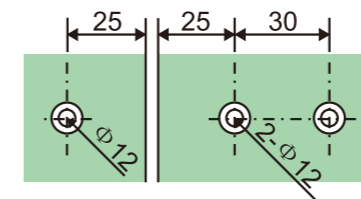
1. Fit for 8mm-12mm Glass.
2. Max. glass door weight: 30kg
3. Material:solid brass.



**GHW242**

Glass to glass

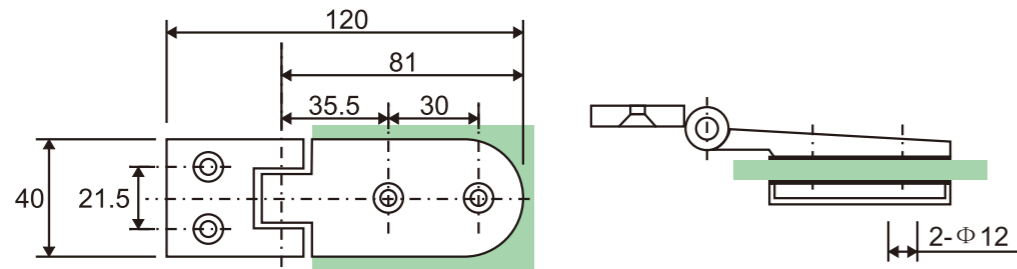
1. Fit for 8mm-12mm Glass.
2. Max. glass door weight: 30kg
3. Material:solid brass.



**GHW251**

Glass to wall

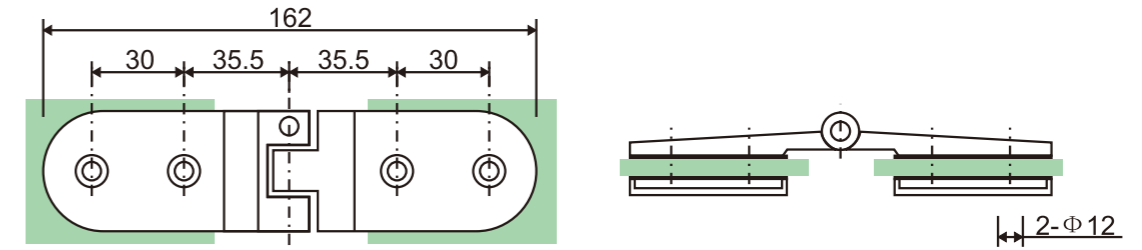
1. Fit for 8mm-12mm Glass.
2. Max. glass door weight: 30kg
3. Material:solid brass.



**GHW252**

Glass to glass

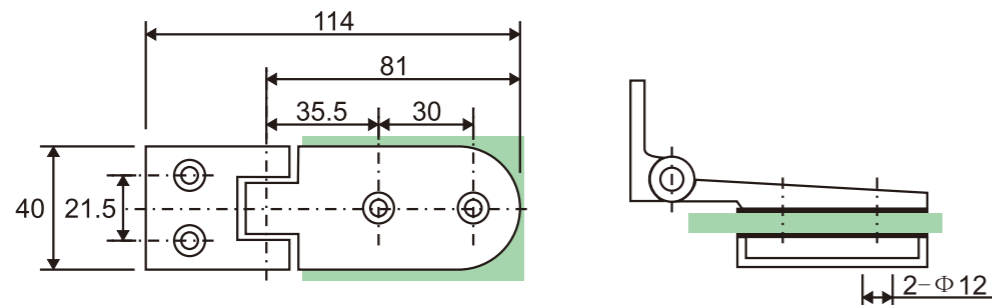
1. Fit for 8mm-12mm Glass.
2. Max. glass door weight: 30kg
3. Material:solid brass.



**GHW251-1**

Glass to wall

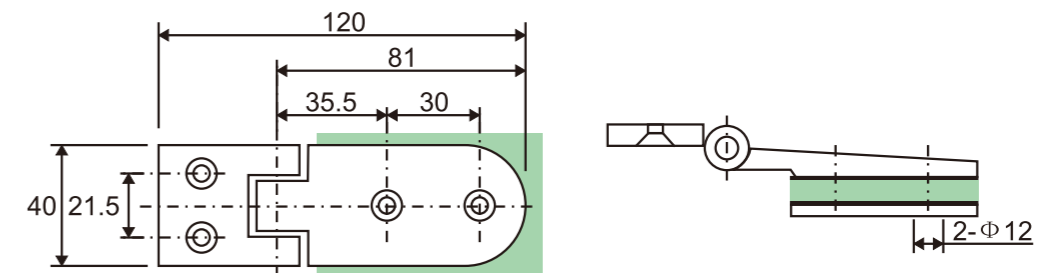
1. Fit for 8mm-12mm Glass.
2. Max. glass door weight: 30kg
3. Material: brass+AL



**GHW261**

Glass to wall

1. Fit for 8mm-12mm Glass.
2. Max. glass door weight: 30kg
3. Material:solid brass.

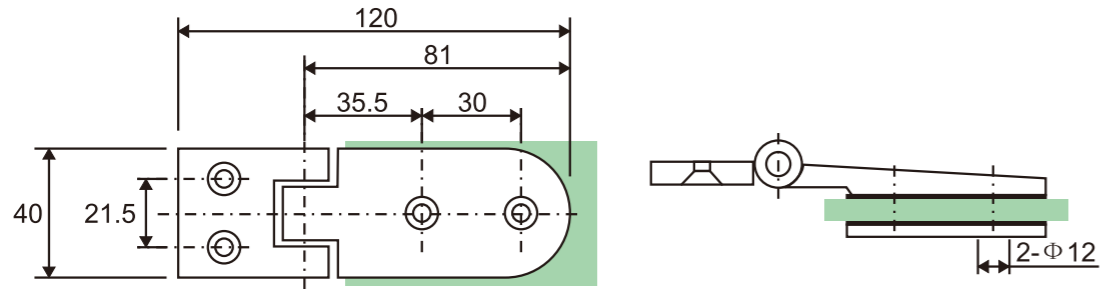




**GHW261-1**

Glass to wall

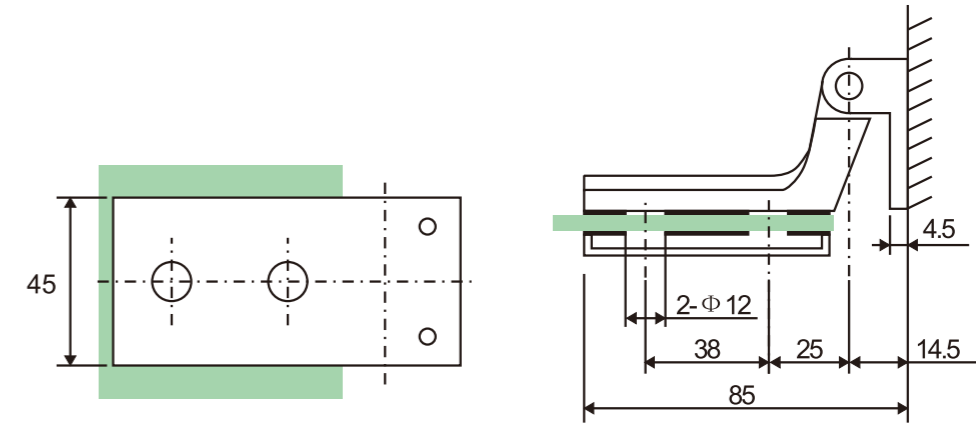
1. Fit for 8mm-12mm Glass.
2. Max. glass door weight: 30kg
3. Material: brass+AL



**GHW271**

Glass to wall

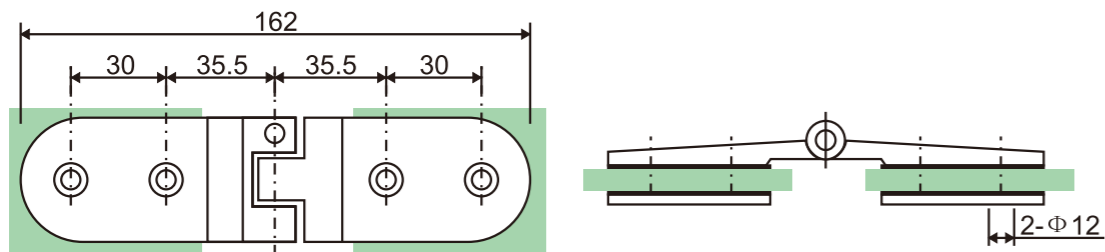
1. Fit for 8mm-12mm Glass.
2. Max. glass door weight: 30kg
3. Material:solid brass.



**GHW262**

Glass to glass

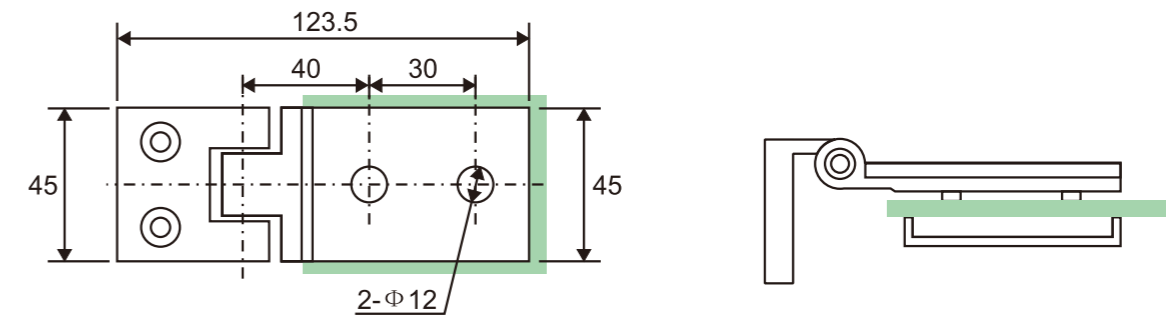
1. Fit for 8mm-12mm Glass.
2. Max. glass door weight: 30kg
3. Material: brass+AL



**GHW271-1**

Glass to wall

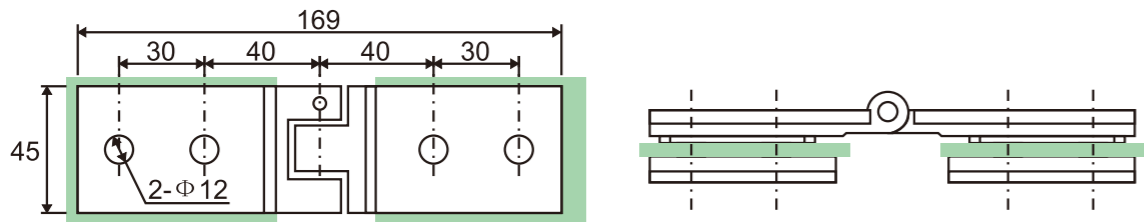
1. Fit for 8mm-12mm Glass.
2. Max. glass door weight: 30kg
3. Material:solid brass.



**GHW272**

Glass to glass

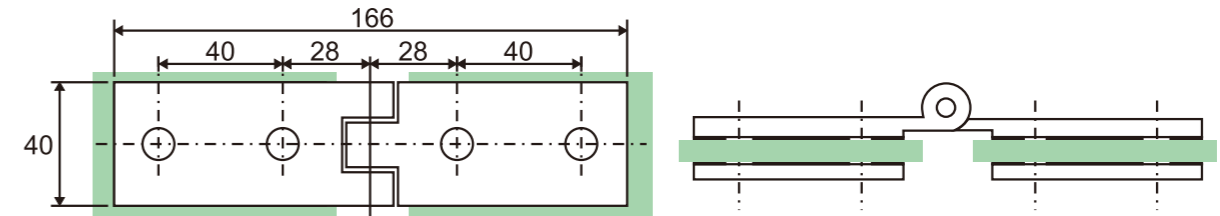
1. Fit for 8mm-12mm Glass.
2. Max. glass door weight: 30kg
3. Material:solid brass.



**GHW282**

Glass to glass

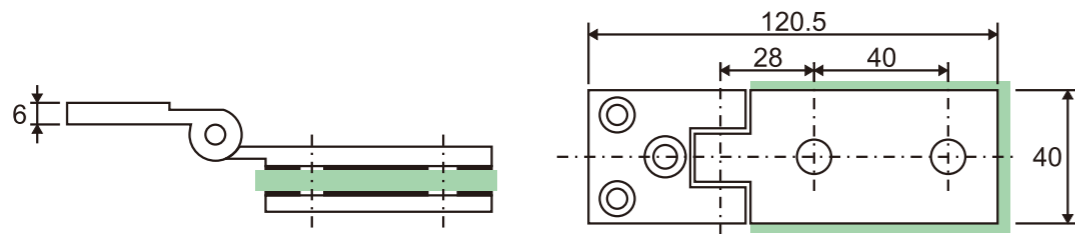
1. Fit for 8mm-12mm Glass.
2. Max. glass door weight: 30kg
3. Material:solid brass.



**GHW281**

Glass to wall

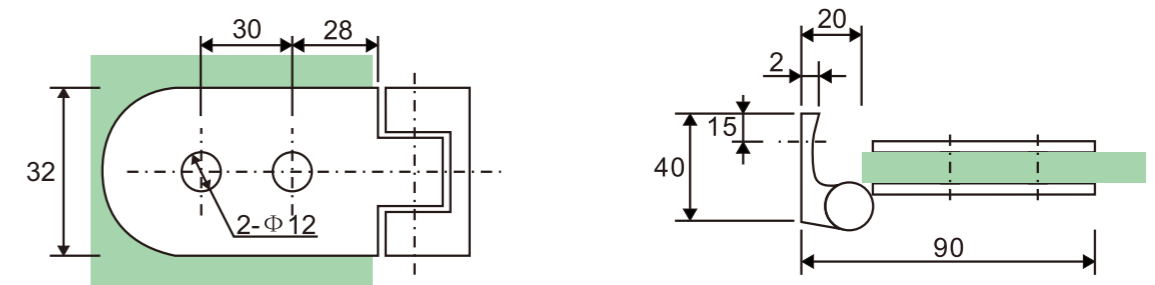
1. Fit for 8mm-12mm Glass.
2. Max. glass door weight: 30kg
3. Material:solid brass.



**GHW291**

Glass to wall

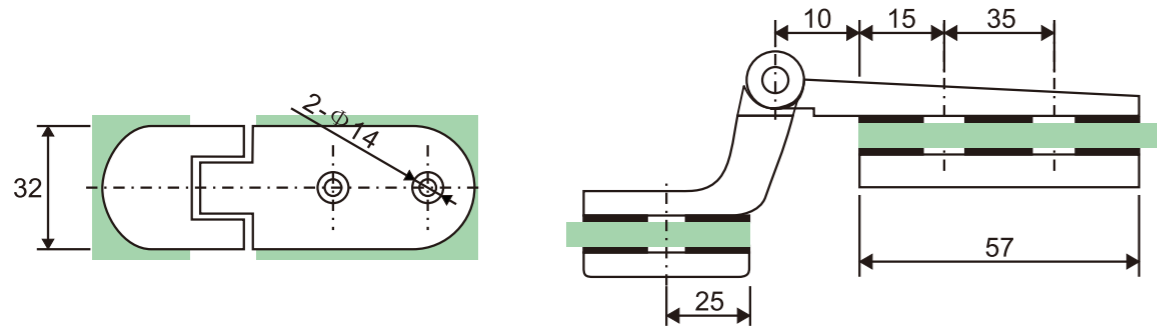
1. Fit for 8mm-12mm Glass.
2. Max. glass door weight: 30kg
3. Material:solid brass.



**GHW292**

Glass to glass

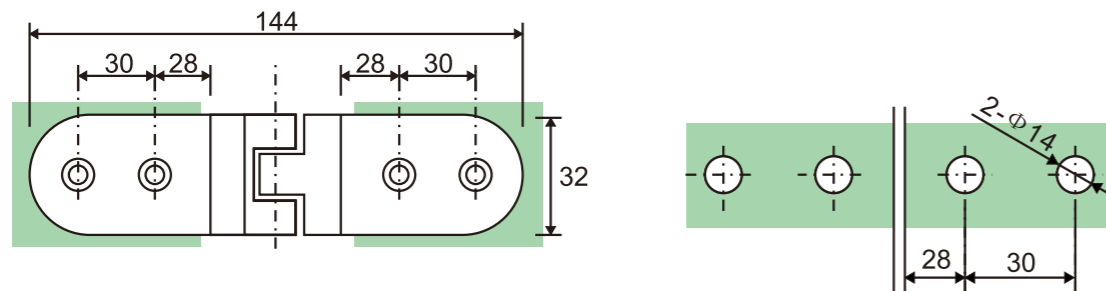
1. Fit for 8mm-12mm Glass.
2. Max. glass door weight: 30kg
3. Material:solid brass.



**GHW292-1**

Glass to glass

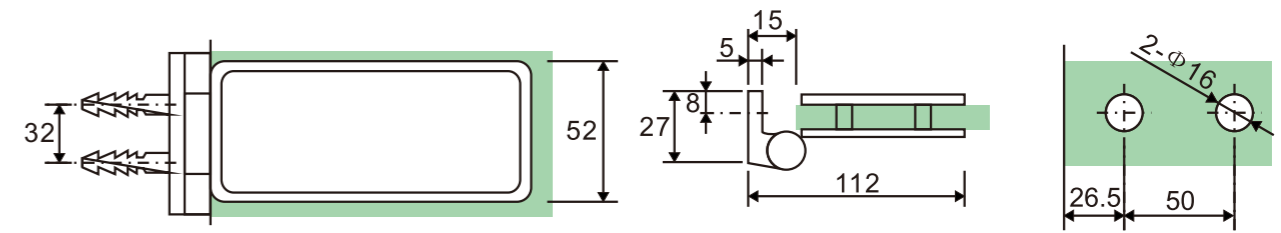
1. Fit for 8mm-12mm Glass.
2. Max. glass door weight: 30kg
3. Material:solid brass.



**GHW301**

Glass to wall

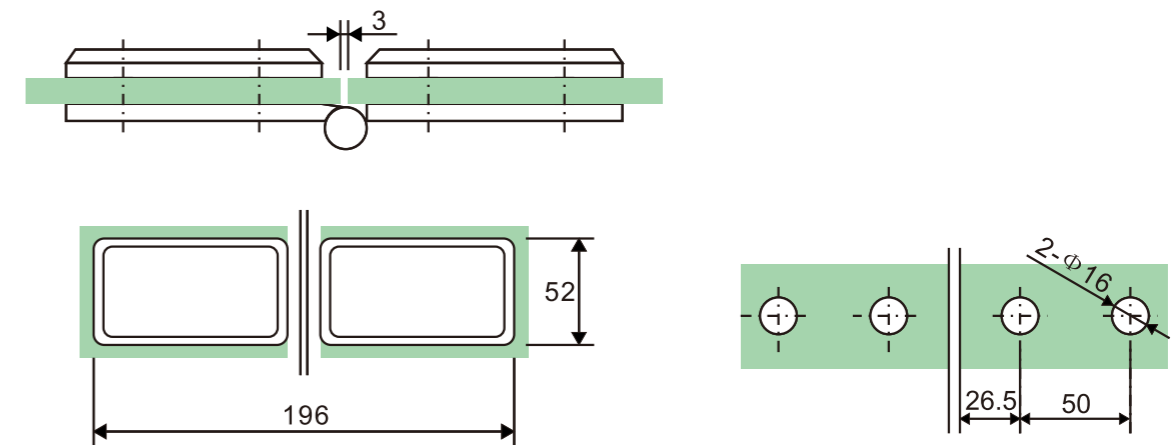
1. Fit for 8mm-12mm Glass.
2. Max. glass door weight: 45kg
3. Material:solid brass.



**GHW302**

Glass to glass

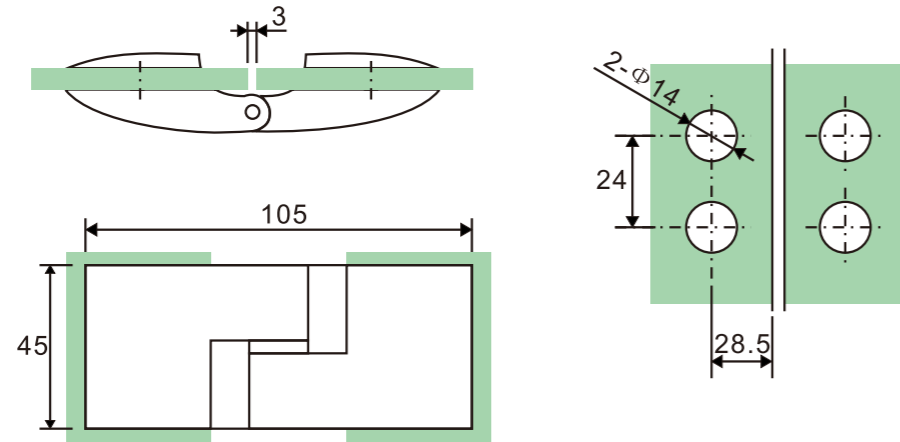
1. Fit for 8mm-12mm Glass.
2. Max. glass door weight: 45kg
3. Material:solid brass.



**GHW310L**

Glass to glass

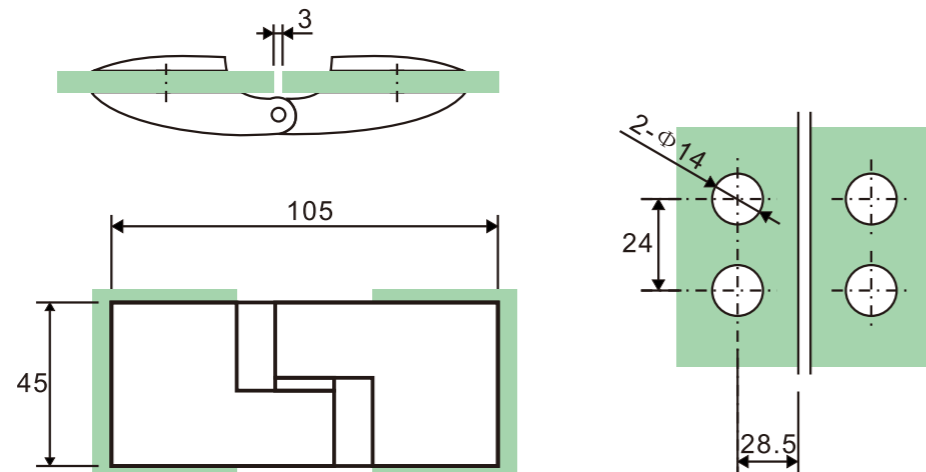
1. Fit for 8mm-12mm Glass.
2. Max. glass door weight: 30kg
3. Material:solid brass.



**GHW310R**

Glass to glass

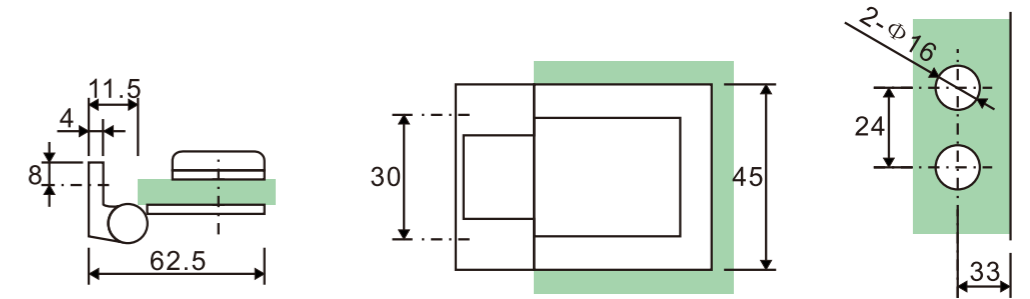
1. Fit for 8mm-12mm Glass.
2. Max. glass door weight: 30kg
3. Material:solid brass.



**GHW311**

Glass to wall

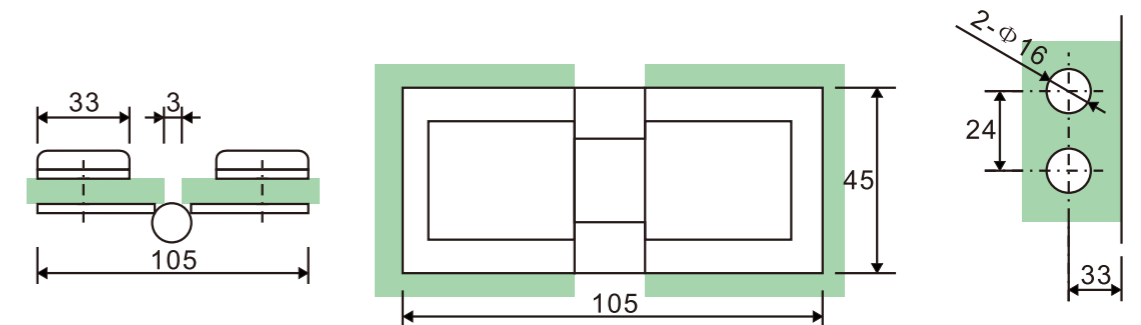
1. Fit for 8mm-12mm Glass.
2. Max. glass door weight: 30kg
3. Material: solid brass.



**GHW312**

Glass to glass

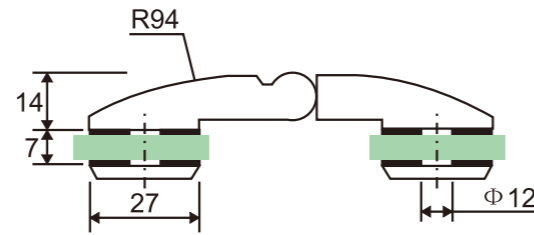
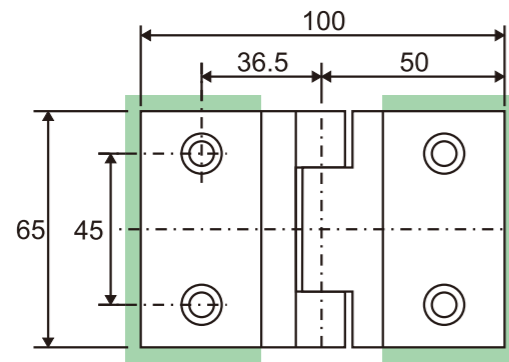
1. Fit for 8mm-12mm Glass.
2. Max. glass door weight: 30kg
3. Material:solid brass.



**GHW322-1**

Glass to glass

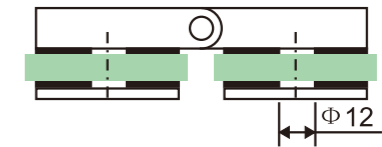
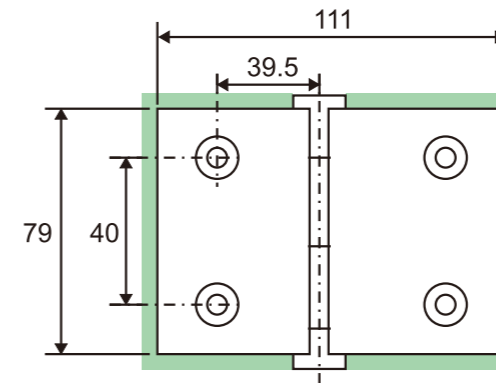
1. Fit for 8mm-12mm Glass.
2. Max. glass door weight: 30kg
3. Material:solid brass.



**GHW322-3**

Glass to glass

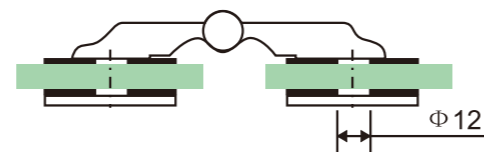
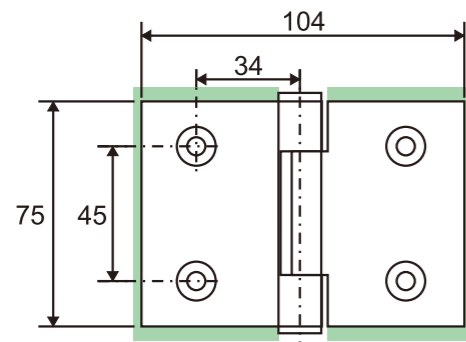
1. Fit for 8mm-12mm Glass.
2. Max. glass door weight: 30kg
3. Material: solid brass.



**GHW322-2**

Glass to glass

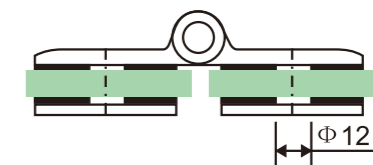
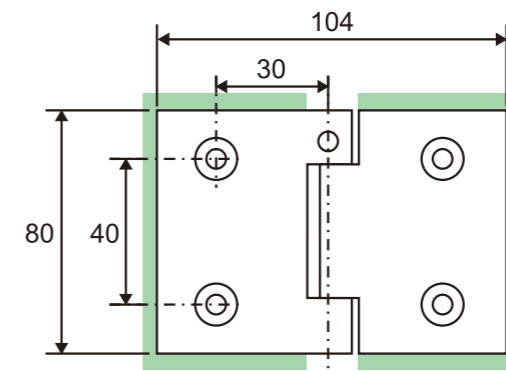
1. Fit for 8mm-12mm Glass.
2. Max. glass door weight: 30kg
3. Material:solid brass.



**GHW332**

Glass to glass

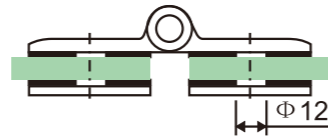
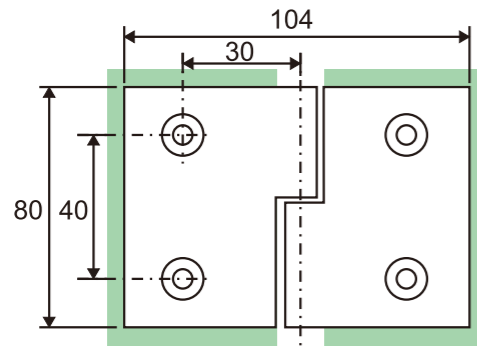
1. Fit for 8mm-12mm Glass.
2. Max. glass door weight: 30kg
3. Material :solid brass.



**GHW332-1**

Glass to glass

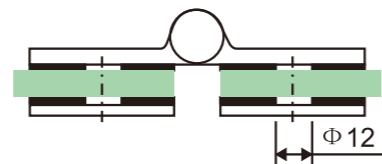
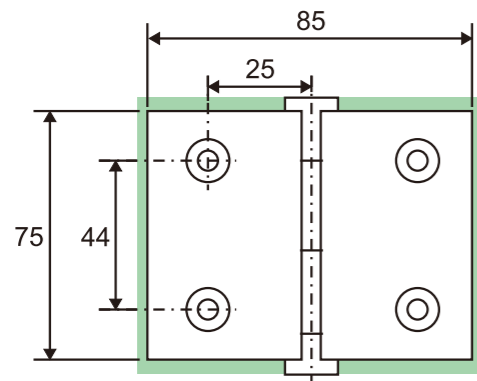
1. Fit for 8mm-12mm Glass.
2. Max. glass door weight: 30kg
3. Material: solid brass.



**GHW342**

Glass to glass

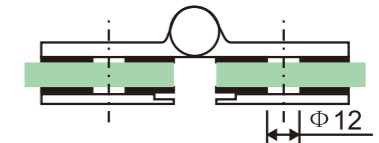
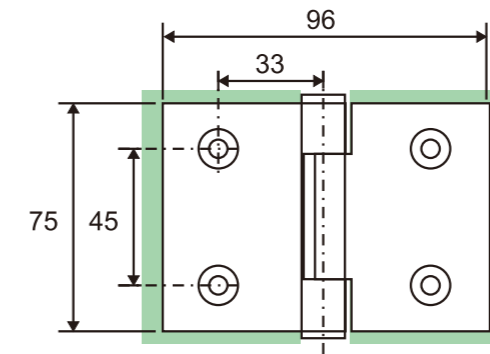
1. Fit for 8mm-12mm Glass.
2. Max. glass door weight: 30kg
3. Material: solid brass.



**GHW342-1**

Glass to glass

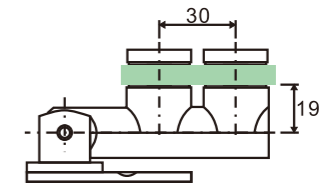
1. Fit for 8mm-12mm Glass.
2. Max. glass door weight: 30kg
3. Material: solid brass.



**SR301**

Glass hinge

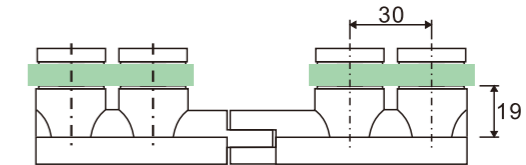
1. Material: Stainless steel 304
2. Finishing: Polished, Satin
3. Suitable for glass door, for 10/12mm glass



**SR302**

Glass hinge

1. Material: Stainless steel 304
2. Finishing: Polished, Satin
3. Suitable for glass door, for 10/12mm glass



**SR303(C/F)**

Glass connector

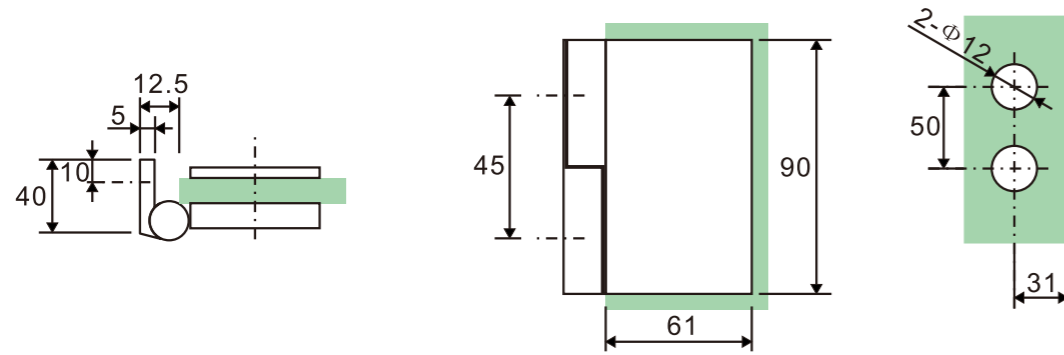
1. Material: Stainless steel 304
2. Finishing: Polished, Satin
3. Suitable for glass door, for 10/12mm glass



**GHL101R(Right side)**

Glass to wall

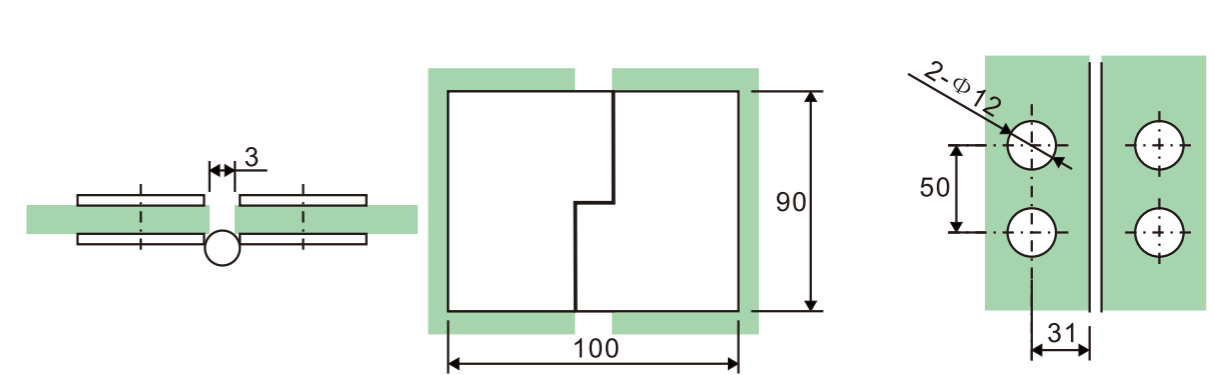
1. Fit for 8mm-12mm Glass.
2. Max. glass door weight: 45kg
3. Material:solid brass.



**GHL102R(Right side)**

Glass to glass

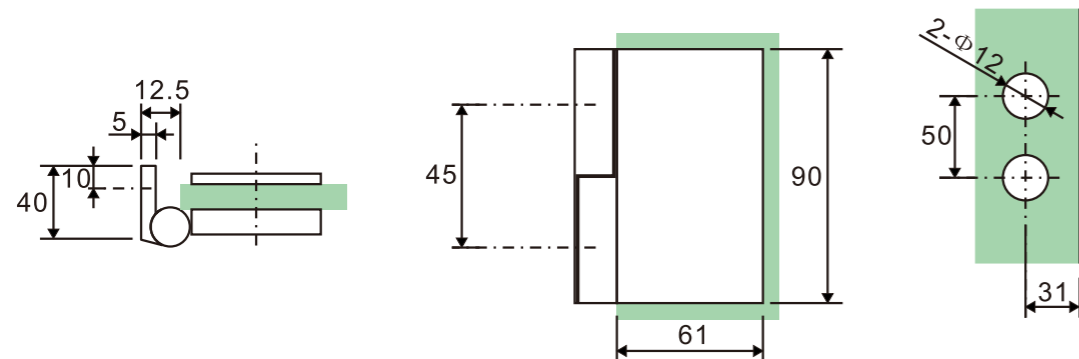
1. Fit for 8mm-12mm Glass.
2. Max. glass door weight: 45kg
3. Material:solid brass.



**GHL101L(Left side)**

Glass to wall

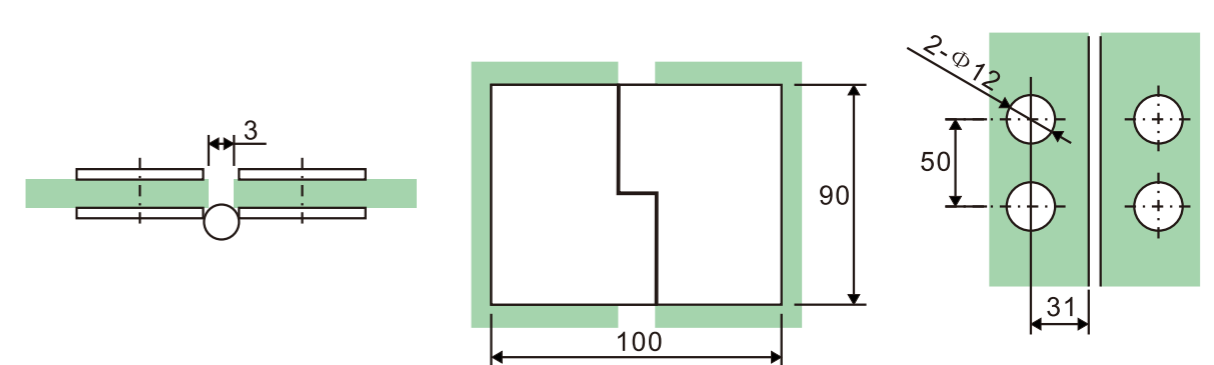
1. Fit for 8mm-12mm Glass.
3. Max. glass door weight: 45kg
5. Material:solid brass.



**GHL102L(Left side)**

Glass to glass

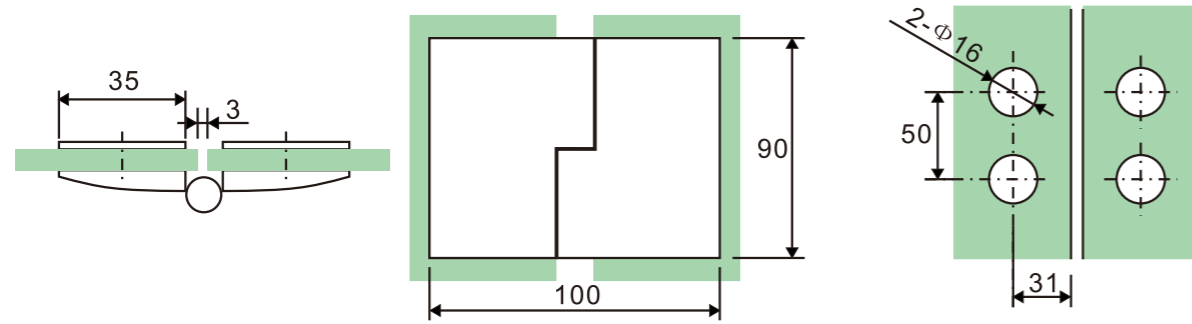
1. Fit for 8mm-12mm Glass.
2. Max. glass door weight: 45kg
3. Material:solid brass.



**GHL103R(Right side)**

Glass to glass

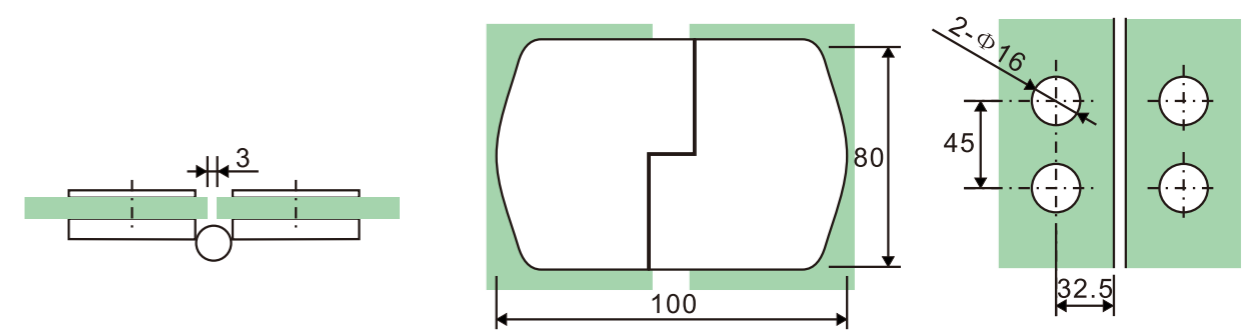
1. Fit for 8mm-12mm Glass.
2. Max. glass door weight: 45kg
3. Material:solid brass.



**GHL104R(Right side)**

Glass to glass

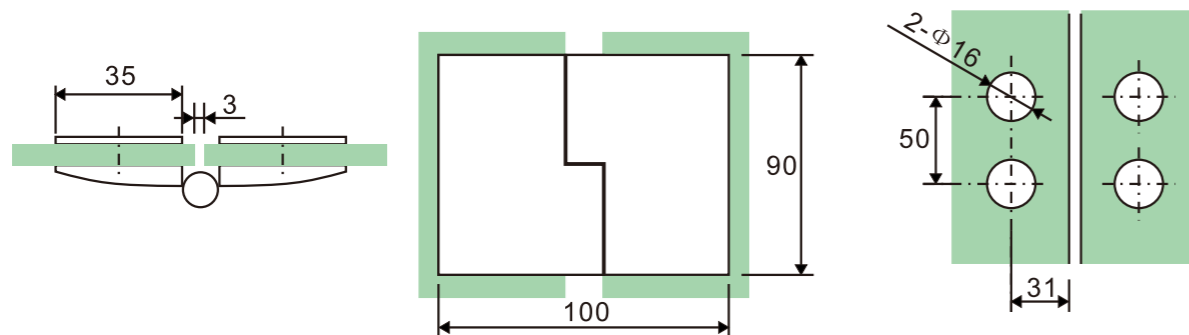
1. Fit for 8mm-12mm Glass.
2. Max. glass door weight: 45kg
3. Material:solid brass.



**GHL103L(Left side)**

Glass to glass

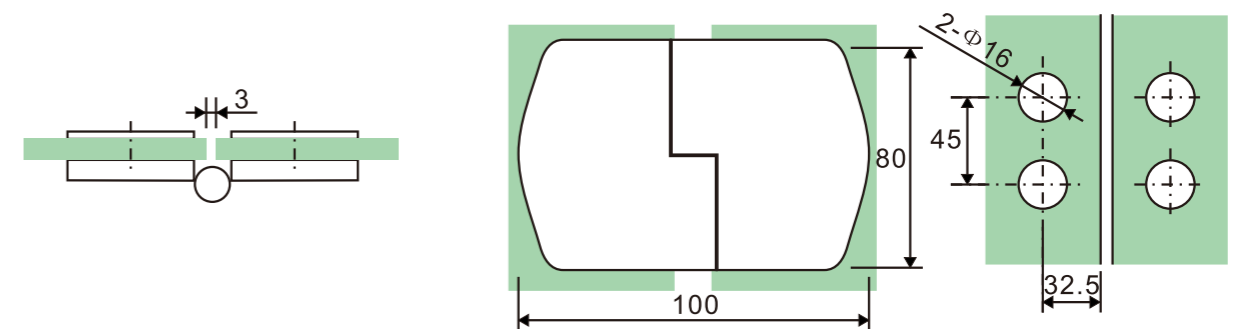
1. Fit for 8mm-12mm Glass.
3. Max. glass door weight: 45kg
5. Material:solid brass.



**GHL104L(Left side)**

Glass to glass

1. Fit for 8mm-12mm Glass.
2. Max. glass door weight: 45kg
3. Material:solid brass.

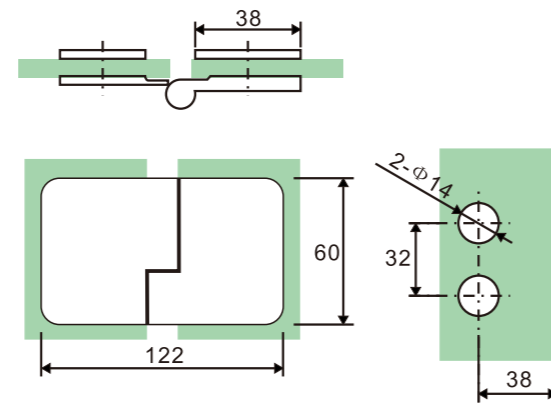




**GHL105**

Glass to glass

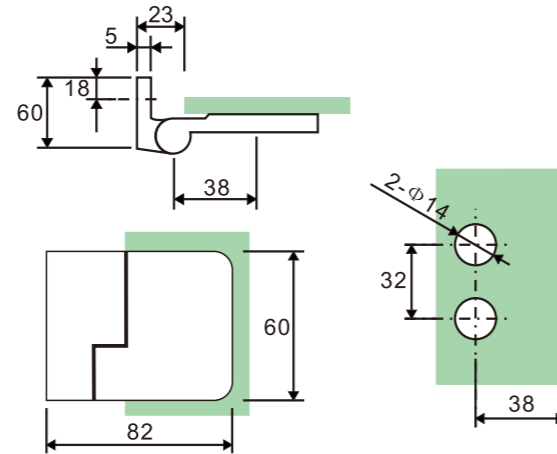
1. Fit for 6mm-8mm Glass.
2. Max. glass door weight: 45kg
3. Material:solid brass.



**GHL105W**

Glass to wall

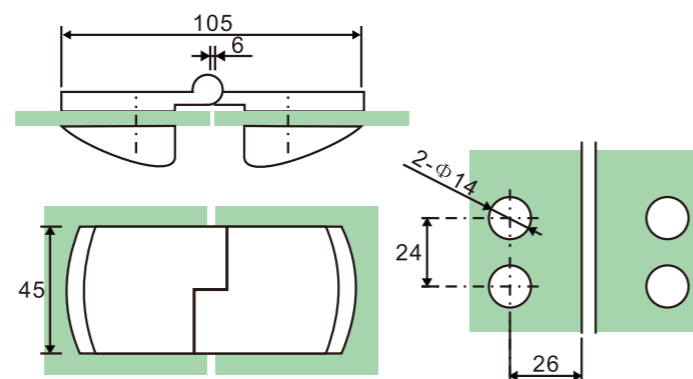
1. Fit for 6mm-8mm Glass.
2. Max. glass door weight: 45kg
3. Material:solid brass.



**GHL106**

Glass to glass

1. Fit for 6mm-8mm Glass.
2. Max. glass door weight: 45kg
3. Material:solid brass.



**PD136**

Pivot door fittings

1. Material:Brass
2. Finishing: Chrome, Brushed Nickel
3. Suitable for glass door, for 6/8/10mm glass



**PD136-1**

Pivot door fittings

1. Material:Brass
2. Finishing:Chrome, Brushed Nickel
3. Suitable for glass door, for 6/8/10mm glass



**PD136-2**

Pivot door fittings

1. Material:Brass
2. Finishing:Chrome, Brushed Nickel
3. Suitable for glass door, for 6/8/10mm glass



**PD136-3**

Pivot door fittings

1. Material:Brass
2. Finishing:Chrome, Brushed Nickel
3. Suitable for glass door, for 6/8/10mm glass



**PD136-4**

Pivot door fittings

1. Material:Brass
2. Finishing:Chrome, Brushed Nickel
3. Suitable for glass door, for 6/8/10mm glass





## Glass Clamps Series

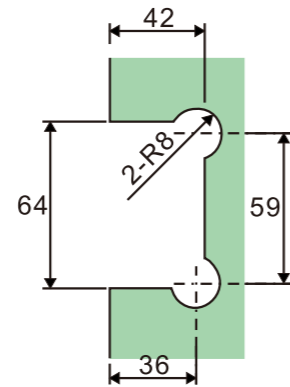
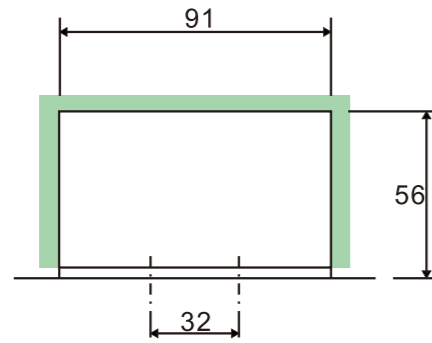




**FC100**

Glass to wall 90°

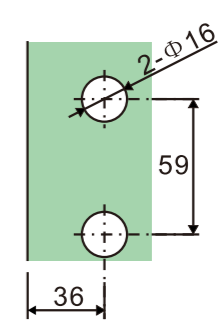
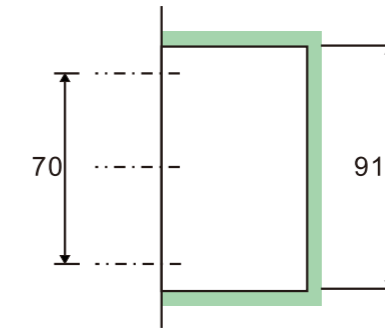
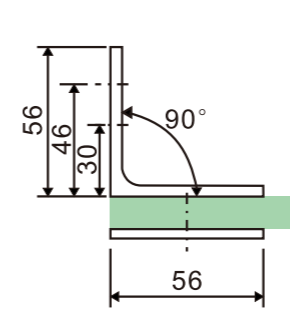
1. Suitable for 8~12mm glass door
2. Max. glass door weight: 45kg
3. Material: Brass
4. Finishing: Chrome, Brushed Nickel or customer-made



**FC101-L**

Glass to wall 90°

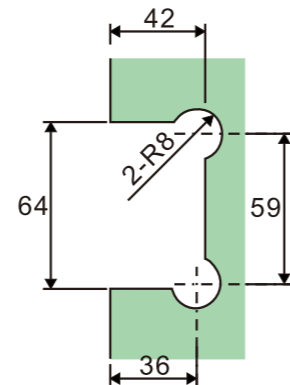
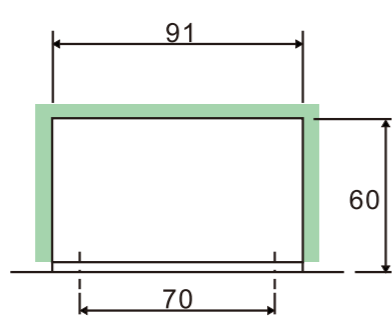
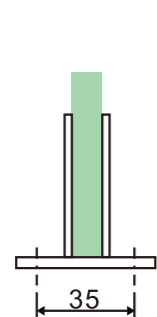
1. Suitable for 8~12mm glass door
2. Max. glass door weight: 45kg
3. Material: Brass
4. Finishing: Chrome, Brushed Nickel or customer-made



**FC101**

Glass to wall 90°

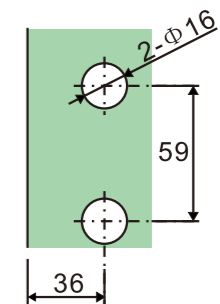
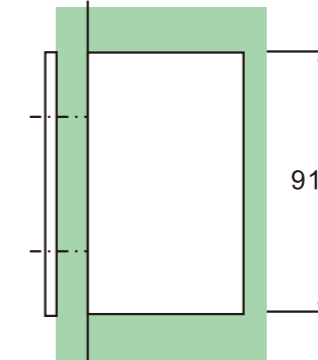
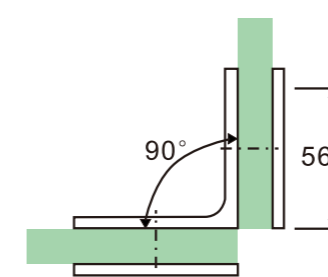
1. Suitable for 8~12mm glass door
2. Max. glass door weight: 45kg
3. Material: Brass
4. Finishing: Chrome, Brushed Nickel or customer-made



**FC102**

Glass to glass 90°

1. Suitable for 8~12mm glass door
2. Max. glass door weight: 45kg
3. Material: Brass
4. Finishing: Chrome, Brushed Nickel or customer-made

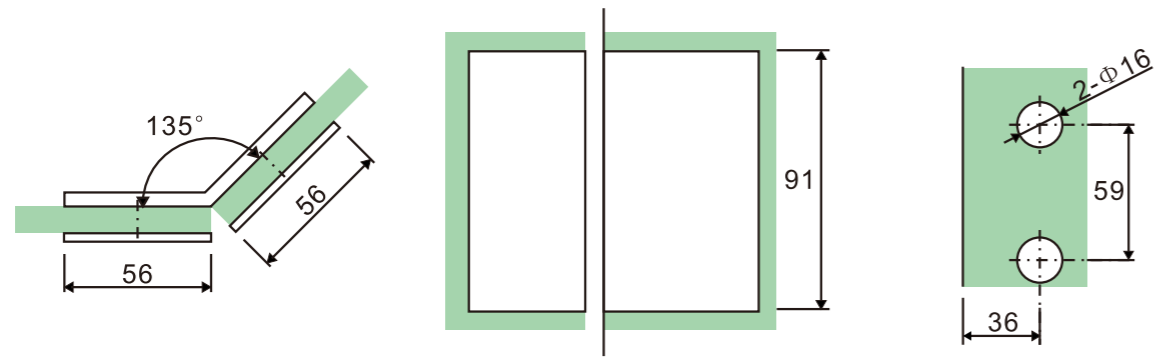




**FC103**

Glass to glass 135°

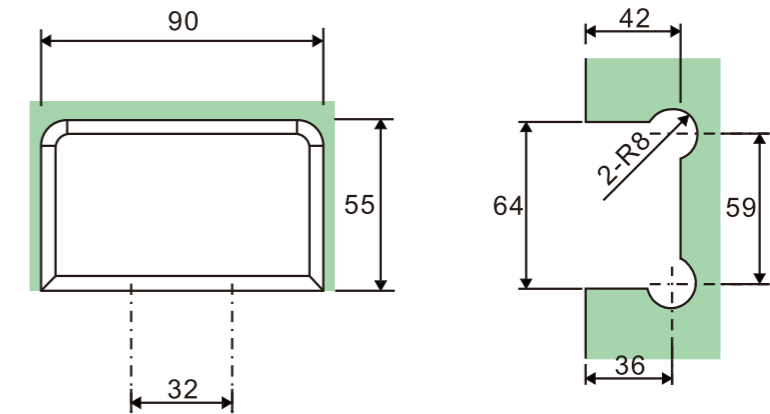
1. Suitable for 8~12mm glass door
2. Max. glass door weight: 45kg
3. Material: Brass
4. Finishing: Chrome, Brushed Nickel or customer-made



**FC110**

Glass to wall 90°

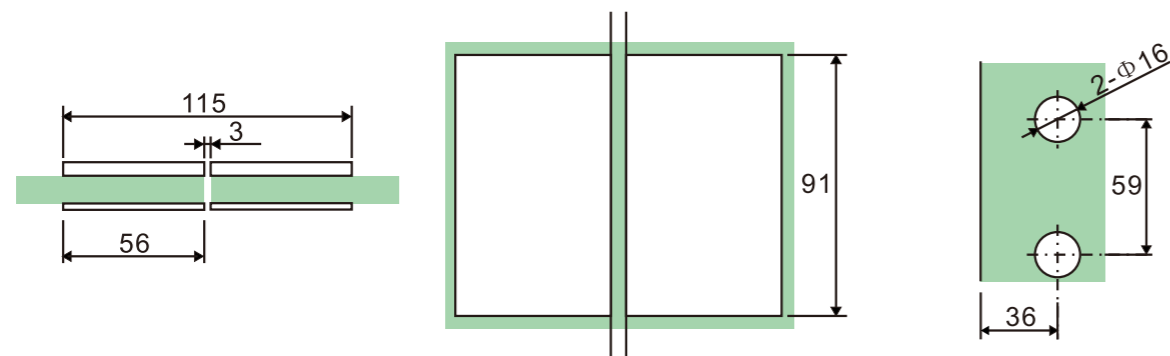
1. Suitable for 8~12mm glass door
2. Max. glass door weight: 45kg
3. Material: Brass
4. Finishing: Chrome, Brushed Nickel or customer-made



**FC104**

Glass to glass 180°

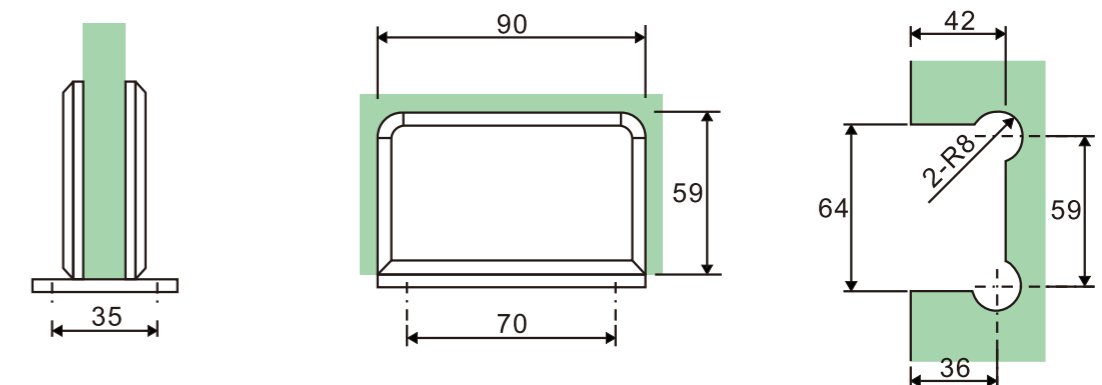
1. Suitable for 8~12mm glass door
2. Max. glass door weight: 45kg
3. Material: Brass
4. Finishing: Chrome, Brushed Nickel or customer-made



**FC111**

Glass to wall 90°

1. Suitable for 8~12mm glass door
2. Max. glass door weight: 45kg
3. Material: Brass
4. Finishing: Chrome, Brushed Nickel or customer-made

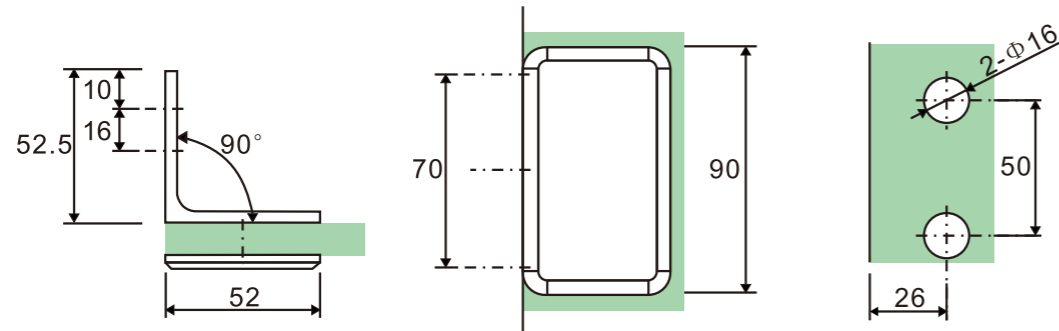




**FC111-L**

Glass to wall 90°

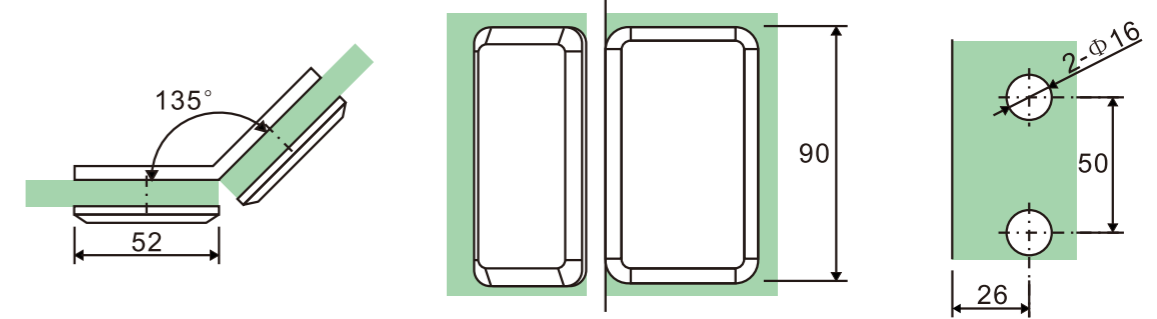
1. Suitable for 8~12mm glass door
2. Max. glass door weight: 45kg
3. Material: Brass
4. Finishing: Chrome, Brushed Nickel or customer-made



**FC113**

Glass to glass 135°

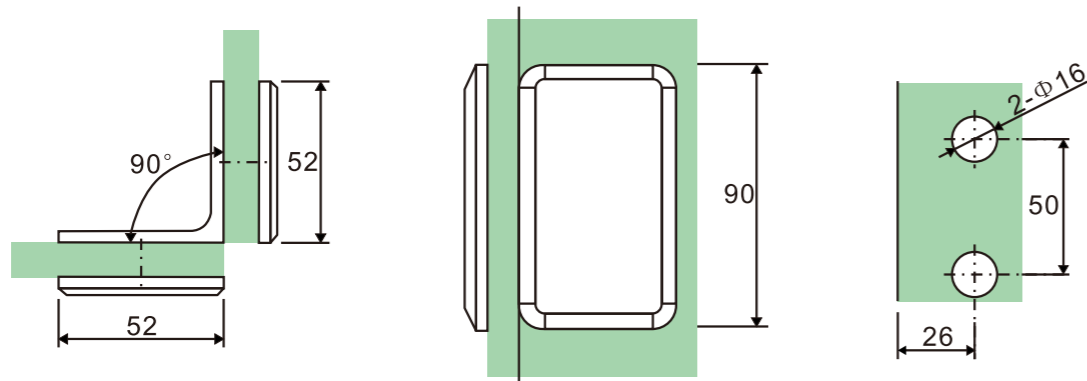
1. Suitable for 8~12mm glass door
2. Max. glass door weight: 45kg
3. Material: Brass
4. Finishing: Chrome, Brushed Nickel or customer-made



**FC112**

Glass to glass 90°

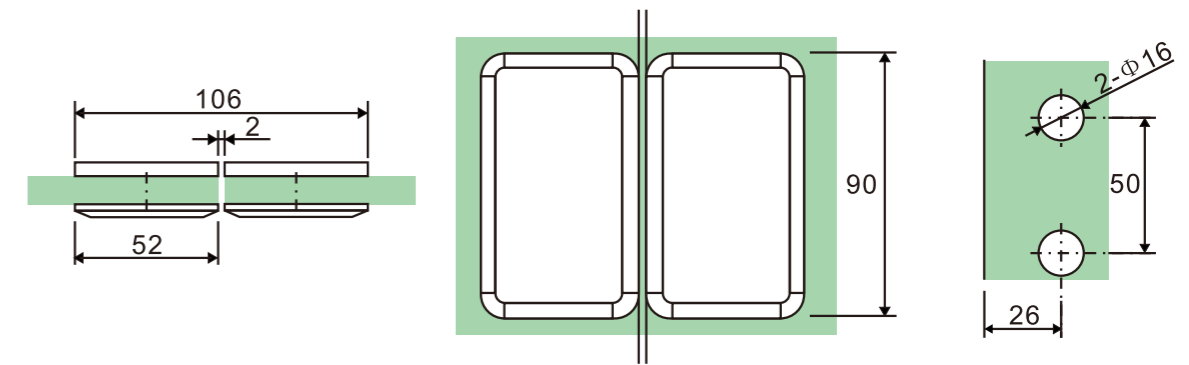
1. Suitable for 8~12mm glass door
2. Max. glass door weight: 45kg
3. Material: Brass
4. Finishing: Chrome, Brushed Nickel or customer-made



**FC114**

Glass to glass 180°

1. Suitable for 8~12mm glass door
2. Max. glass door weight: 45kg
3. Material: Brass
4. Finishing: Chrome, Brushed Nickel or customer-made

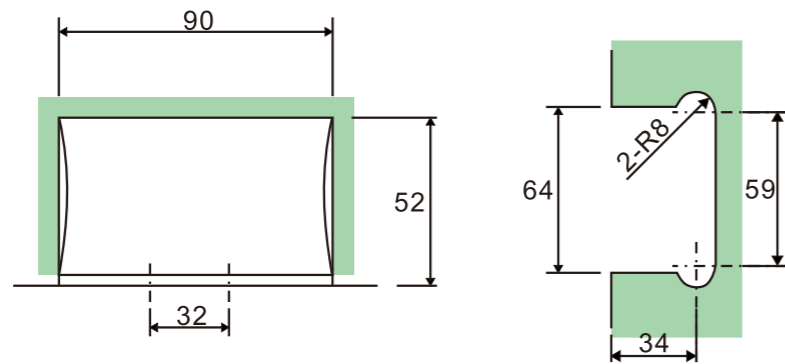




**FC120**

Glass to wall 90°

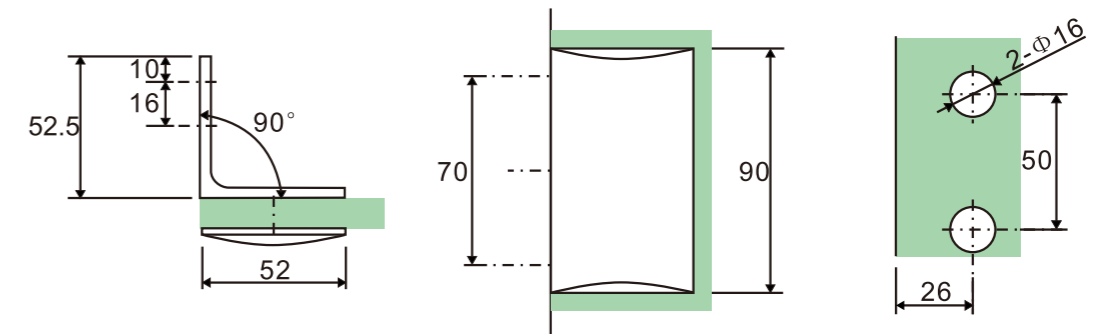
1. Suitable for 8~12mm glass door
2. Max. glass door weight: 45kg
3. Material: Brass
4. Finishing: Chrome, Brushed Nickel or customer-made



**FC121-L**

Glass to wall 90°

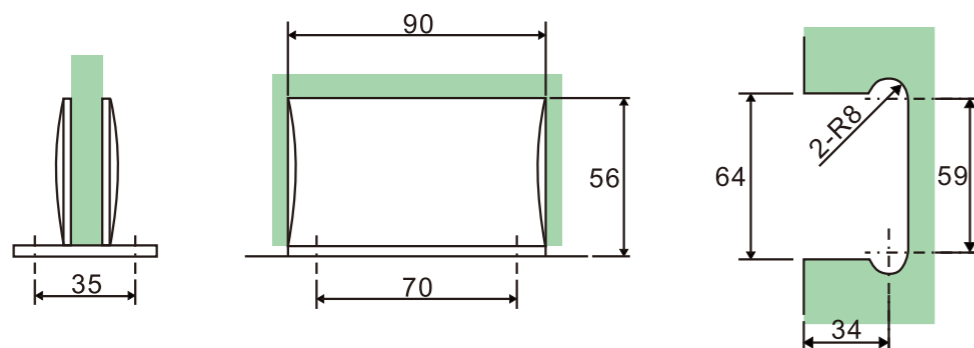
1. Suitable for 8~12mm glass door
2. Max. glass door weight: 45kg
3. Material: Brass
4. Finishing: Chrome, Brushed Nickel or customer-made



**FC121**

Glass to wall 90°

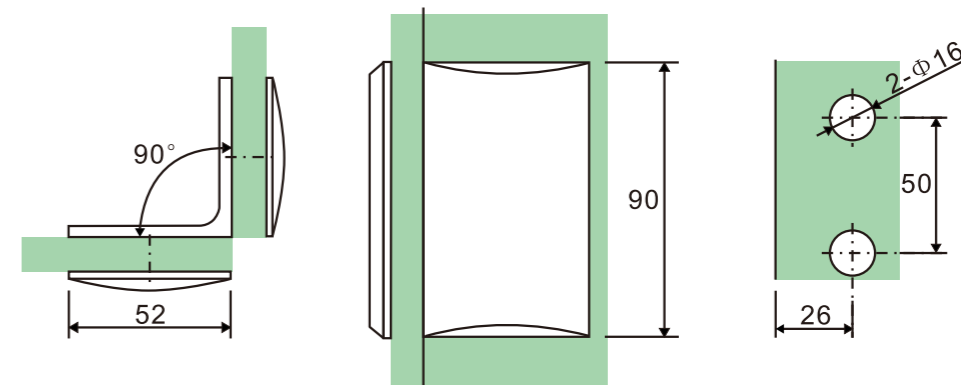
1. Suitable for 8~12mm glass door
2. Max. glass door weight: 45kg
3. Material: Brass
4. Finishing: Chrome, Brushed Nickel or customer-made



**FC122**

Glass to glass 90°

1. Suitable for 8~12mm glass door
2. Max. glass door weight: 45kg
3. Material: Brass
4. Finishing: Chrome, Brushed Nickel or customer-made

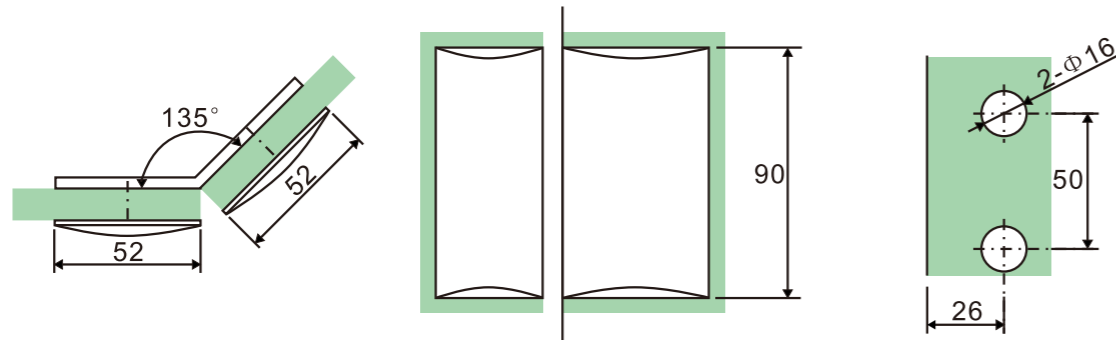




**FC123**

Glass to glass 135°

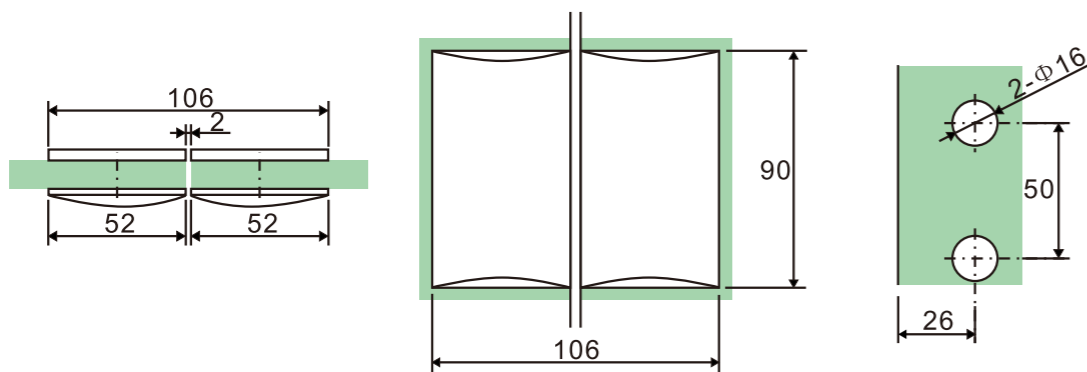
1. Suitable for 8~12mm glass door
2. Max. glass door weight: 45kg
3. Material: Brass
4. Finishing: Chrome, Brushed Nickel or customer-made



**FC124**

Glass to glass 180°

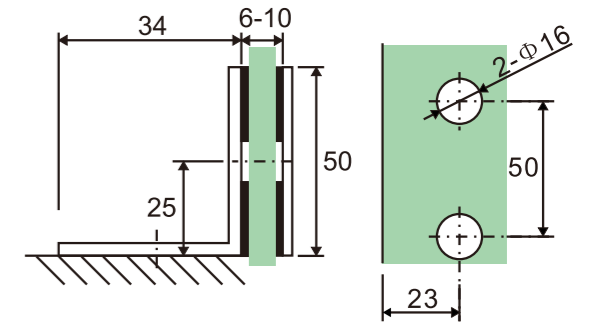
1. Suitable for 8~12mm glass door
2. Max. glass door weight: 45kg
3. Material: Brass
4. Finishing: Chrome, Brushed Nickel or customer-made



**FC131-L**

Glass to wall 90°

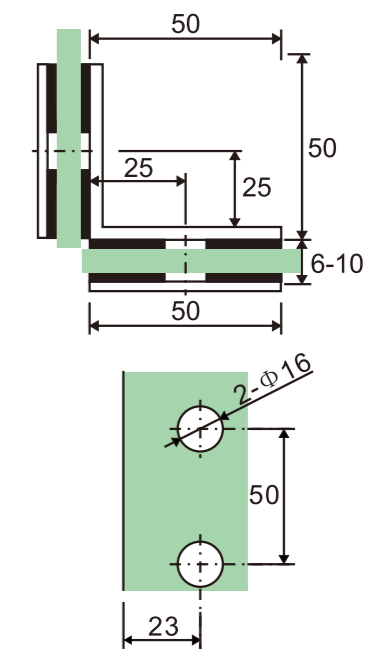
1. Suitable for 8~12mm glass door
2. Max. glass door weight: 40kg
3. Material: Brass
4. Finishing: Chrome, Brushed Nickel or customer-made



**FC132**

Glass to glass 90°

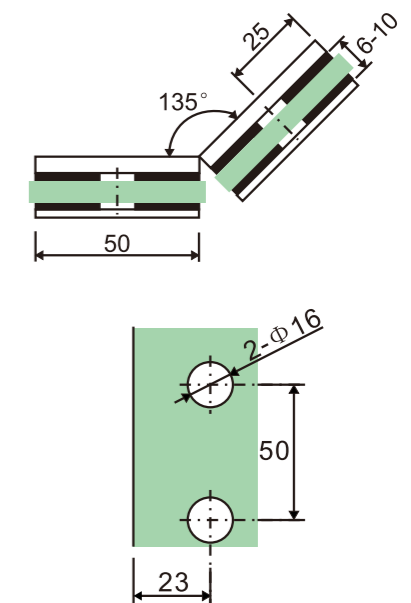
1. Suitable for 8~12mm glass door
2. Max. glass door weight: 40kg
3. Material: Brass
4. Finishing: Chrome, Brushed Nickel or customer-made



**FC133**

Glass to glass 135°

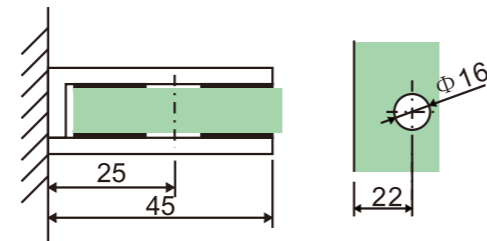
1. Suitable for 8~12mm glass door
2. Max. glass door weight: 40kg
3. Material: Brass
4. Finishing: Chrome, Brushed Nickel or customer-made



**FC140**

Glass to wall 90°

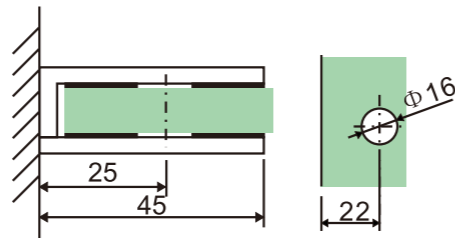
1. Suitable for 6~12mm glass door
2. Max. glass door weight: 35kg
3. Material: Brass
4. Finishing: Chrome, Brushed Nickel or customer-made



**FC140-1**

Glass to wall 90°

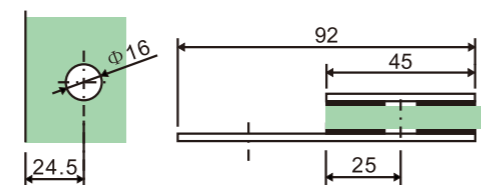
1. Suitable for 6~12mm glass door
2. Max. glass door weight: 35kg
3. Material: Brass
4. Finishing: Chrome, Brushed Nickel or customer-made



**FC140-2**

Glass to wall 180°

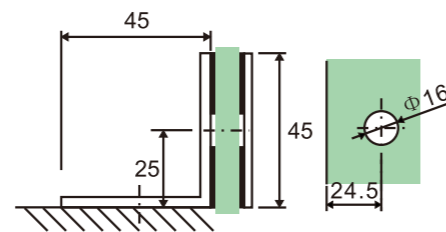
1. Suitable for 6~12mm glass door
2. Max. glass door weight: 35kg
3. Material: Brass
4. Finishing: Chrome, Brushed Nickel or customer-made



**FC141-L**

Glass to wall 90°

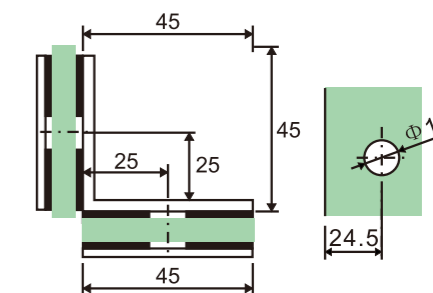
1. Suitable for 6~12mm glass door
2. Max. glass door weight: 35kg
3. Material: Brass
4. Finishing: Chrome, Brushed Nickel or customer-made



**FC142**

Glass to glass 90°

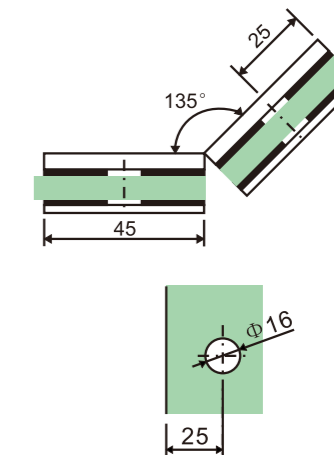
1. Suitable for 6~12mm glass door
2. Max. glass door weight: 35kg
3. Material: Brass
4. Finishing: Chrome, Brushed Nickel or customer-made



**FC143**

Glass to glass 135°

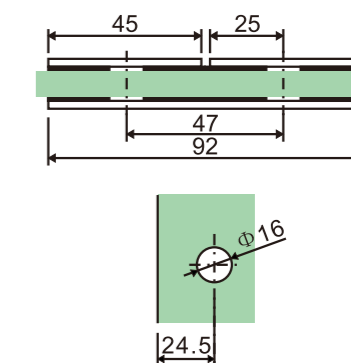
1. Suitable for 6~12mm glass door
2. Max. glass door weight: 35kg
3. Material: Brass
4. Finishing: Chrome, Brushed Nickel or customer-made



**FC144**

Glass to glass 180°

1. Suitable for 6~12mm glass door
2. Max. glass door weight: 45kg
3. Material: Brass
4. Finishing: Chrome, Brushed Nickel or customer-made



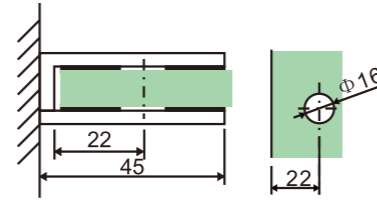


**GLASS CLAMPS SERIES**

**FC150**

Glass to wall 90°

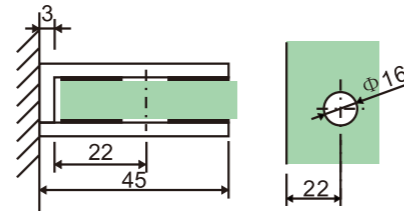
1. Suitable for 6~12mm glass door
2. Max. glass door weight: 45kg
3. Material: Brass
4. Finishing: Chrome, Brushed Nickel or customer-made



**FC150-1**

Glass to wall 90°

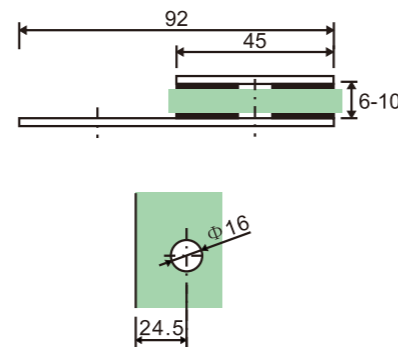
1. Suitable for 6~12mm glass door
2. Max. glass door weight: 45kg
3. Material: Brass
4. Finishing: Chrome, Brushed Nickel or customer-made



**FC150-2**

Glass to wall 180°

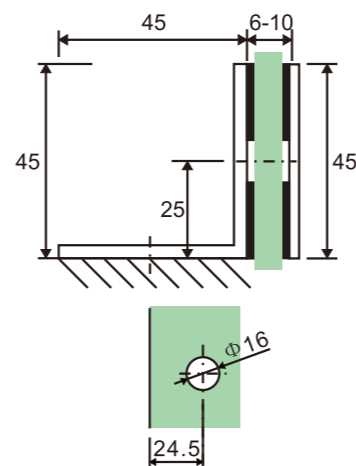
1. Suitable for 6~12mm glass door
2. Max. glass door weight: 45kg
3. Material: Brass
4. Finishing: Chrome, Brushed Nickel or customer-made



**FC151-L**

Glass to wall 90°

1. Suitable for 6~12mm glass door
2. Max. glass door weight: 45kg
3. Material: Brass
4. Finishing: Chrome, Brushed Nickel or customer-made

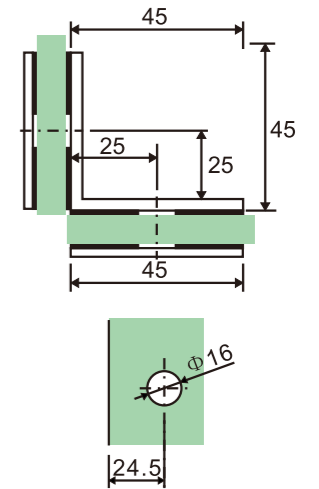


**GLASS CLAMPS SERIES**

**FC152**

Glass to glass 90°

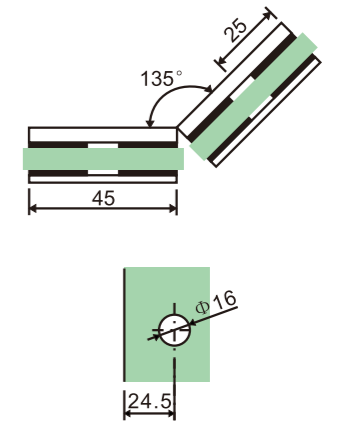
1. Suitable for 6~12mm glass door
2. Max. glass door weight: 45kg
3. Material: Brass
4. Finishing: Chrome, Brushed Nickel or customer-made



**FC153**

Glass to glass 135°

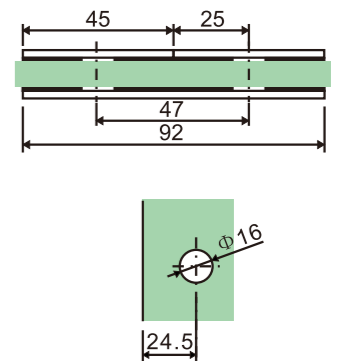
1. Suitable for 6~12mm glass door
2. Max. glass door weight: 35kg
3. Material: Brass
4. Finishing: Chrome, Brushed Nickel or customer-made



**FC154**

Glass to glass 180°

1. Suitable for 6~12mm glass door
2. Max. glass door weight: 35kg
3. Material: Brass
4. Finishing: Chrome, Brushed Nickel or customer-made

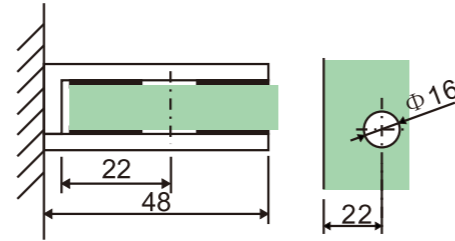


**GLASS CLAMPS SERIES**

**FC160**

Glass to wall 90°

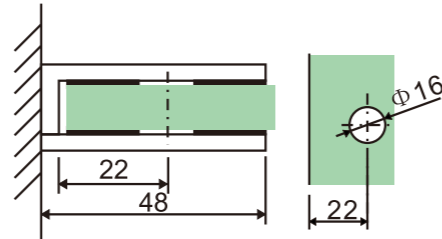
1. Suitable for 6~12mm glass door
2. Max. glass door weight: 35kg
3. Material: Brass
4. Finishing: Chrome, Brushed Nickel or customer-made



**FC160-1**

Glass to wall 90°

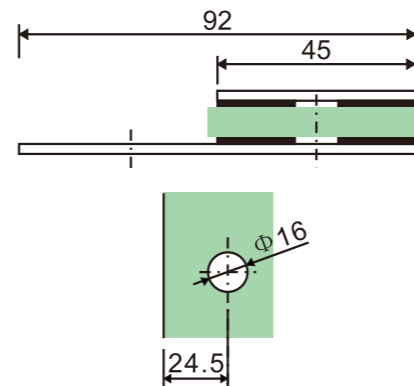
1. Suitable for 6~12mm glass door
2. Max. glass door weight: 35kg
3. Material: Brass
4. Finishing: Chrome, Brushed Nickel or customer-made



**FC160-2**

Glass to wall 180°

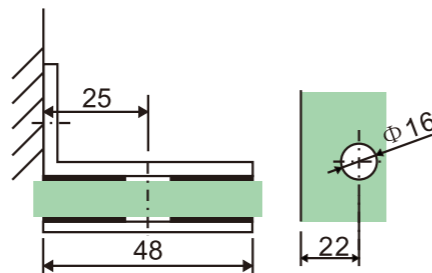
1. Suitable for 6~12mm glass door
2. Max. glass door weight: 35kg
3. Material: Brass
4. Finishing: Chrome, Brushed Nickel or customer-made



**FC161**

Glass to wall 90°

1. Suitable for 6~12mm glass door
2. Max. glass door weight: 35kg
3. Material: Brass
4. Finishing: Chrome, Brushed Nickel or customer-made

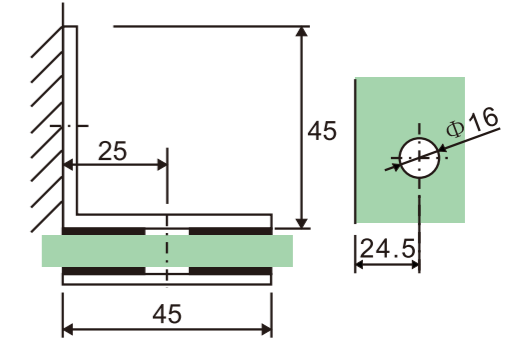


**GLASS CLAMPS SERIES**

**FC161-L**

Glass to wall 90°

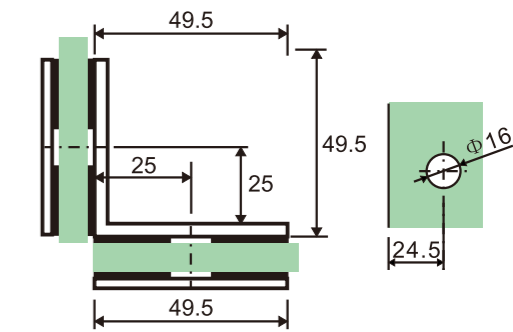
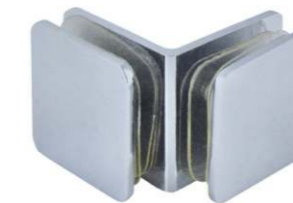
1. Suitable for 6~12mm glass door
2. Max. glass door weight: 35kg
3. Material: Brass
4. Finishing: Chrome, Brushed Nickel or customer-made



**FC162**

Glass to glass 90°

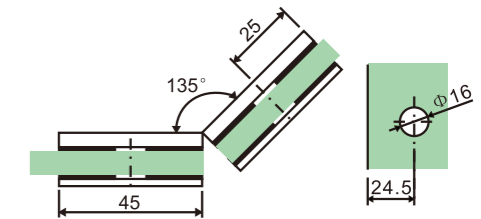
1. Suitable for 6~12mm glass door
2. Max. glass door weight: 35kg
3. Material: Brass
4. Finishing: Chrome, Brushed Nickel or customer-made



**FC163**

Glass to glass 135°

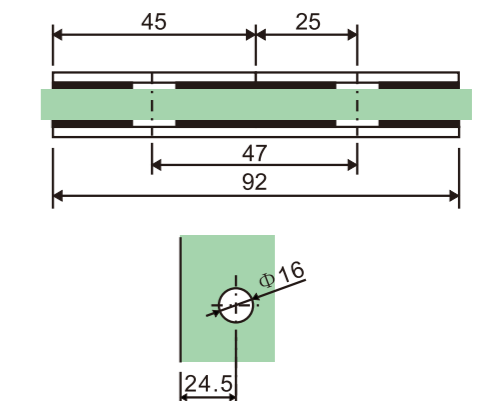
1. Suitable for 6~12mm glass door
2. Max. glass door weight: 35kg
3. Material: Brass
4. Finishing: Chrome, Brushed Nickel or customer-made



**FC164**

Glass to glass 180°

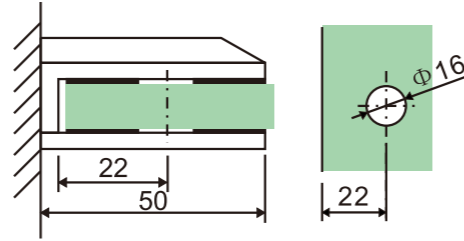
1. Suitable for 6~12mm glass door
2. Max. glass door weight: 35kg
3. Material: Brass
4. Finishing: Chrome, Brushed Nickel or customer-made



**FC170**

Glass to wall 90°

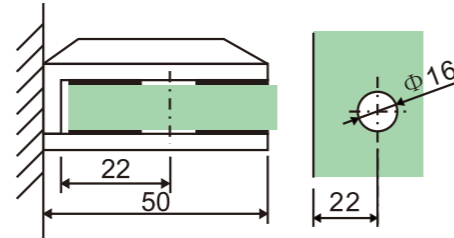
1. Suitable for 6~12mm glass door
2. Max. glass door weight: 35kg
3. Material: Brass
4. Finishing: Chrome, Brushed Nickel or customer-made



**FC170-1**

Glass to wall 90°

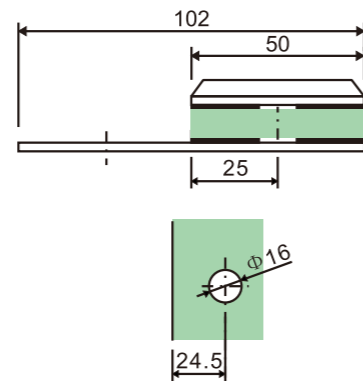
1. Suitable for 6~12mm glass door
2. Max. glass door weight: 35kg
3. Material: Brass
4. Finishing: Chrome, Brushed Nickel or customer-made



**FC170-2**

Glass to wall 180°

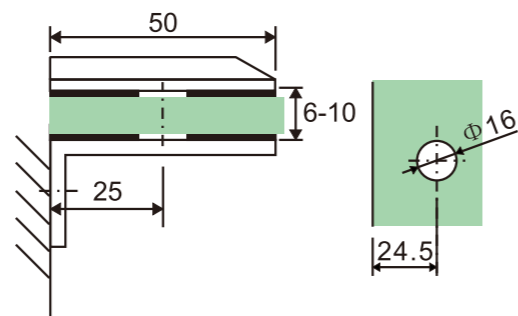
1. Suitable for 6~12mm glass door
2. Max. glass door weight: 35kg
3. Material: Brass
4. Finishing: Chrome, Brushed Nickel or customer-made



**FC171**

Glass to wall 90°

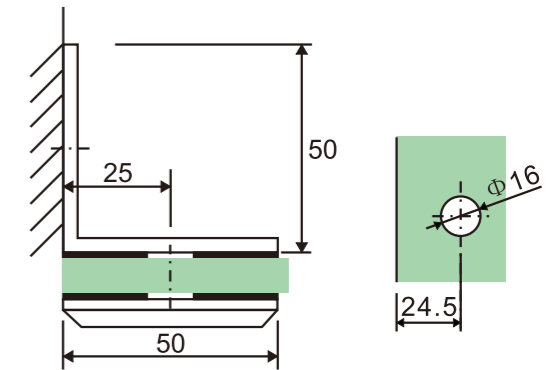
1. Suitable for 6~12mm glass door
2. Max. glass door weight: 35kg
3. Material: Brass
4. Finishing: Chrome, Brushed Nickel or customer-made



**FC171-L**

Glass to wall 90°

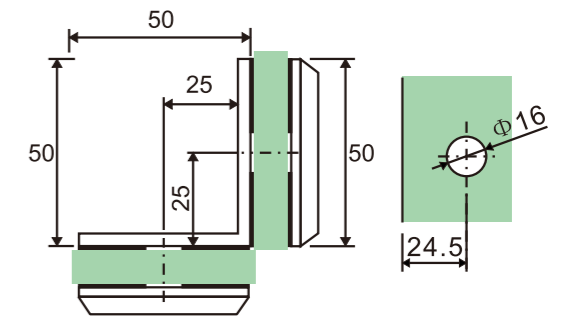
1. Suitable for 6~12mm glass door
2. Max. glass door weight: 35kg
3. Material: Brass
4. Finishing: Chrome, Brushed Nickel or customer-made



**FC172**

Glass to glass 90°

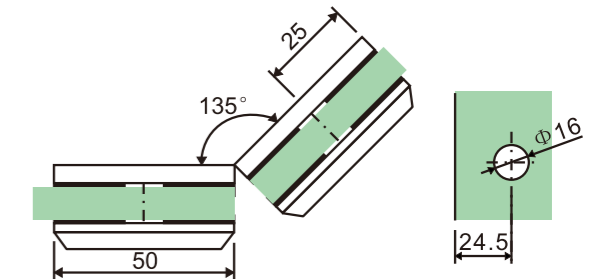
1. Suitable for 6~12mm glass door
2. Max. glass door weight: 35kg
3. Material: Brass
4. Finishing: Chrome, Brushed Nickel or customer-made



**FC173**

Glass to glass 135°

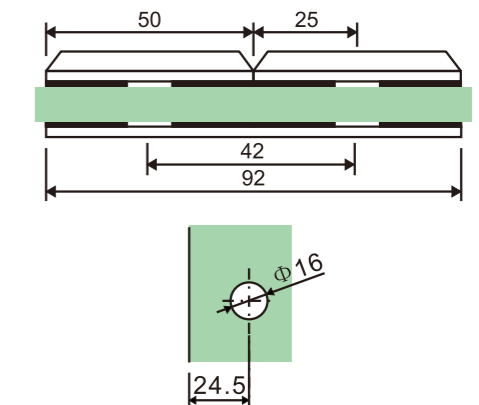
1. Suitable for 6~12mm glass door
2. Max. glass door weight: 35kg
3. Material: Brass
4. Finishing: Chrome, Brushed Nickel or customer-made



**FC174**

Glass to glass 180°

1. Suitable for 6~12mm glass door
2. Max. glass door weight: 35kg
3. Material: Brass
4. Finishing: Chrome, Brushed Nickel or customer-made

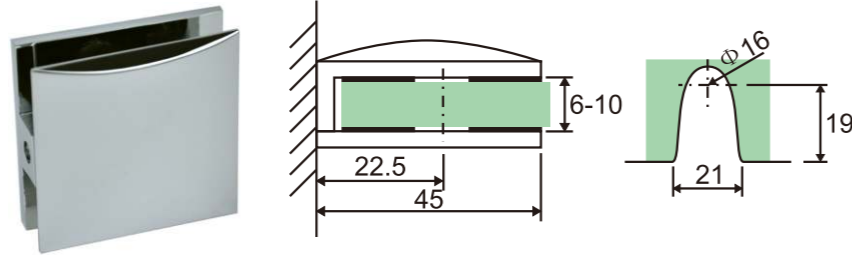


**GLASS CLAMPS SERIES**

**FC180**

Glass to wall 90°

1. Suitable for 6~12mm glass door
2. Max. glass door weight: 35kg
3. Material: Brass
4. Finishing: Chrome, Brushed Nickel or customer-made

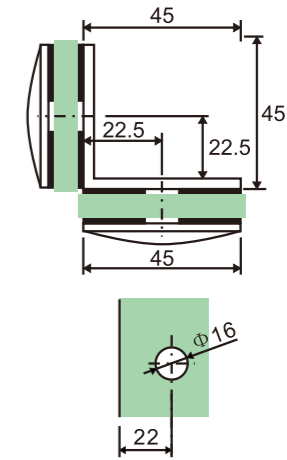


**GLASS CLAMPS SERIES**

**FC182**

Glass to glass 90°

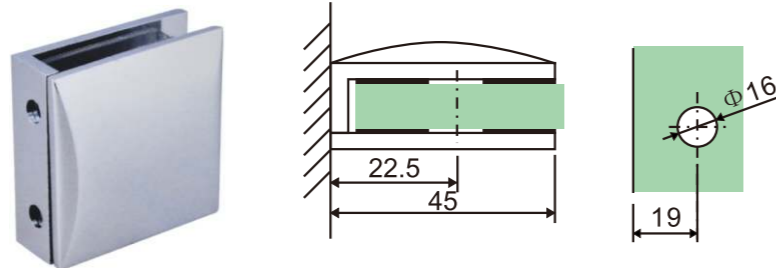
1. Suitable for 6~12mm glass door
2. Max. glass door weight: 35kg
3. Material: Brass
4. Finishing: Chrome, Brushed Nickel or customer-made



**FC180-1**

Glass to wall 90°

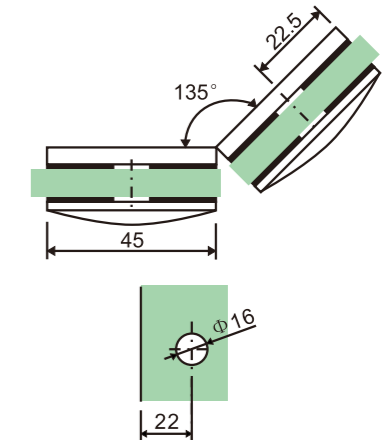
1. Suitable for 6~12mm glass door
2. Max. glass door weight: 35kg
3. Material: Brass
4. Finishing: Chrome, Brushed Nickel or customer-made



**FC183**

Glass to glass 135°

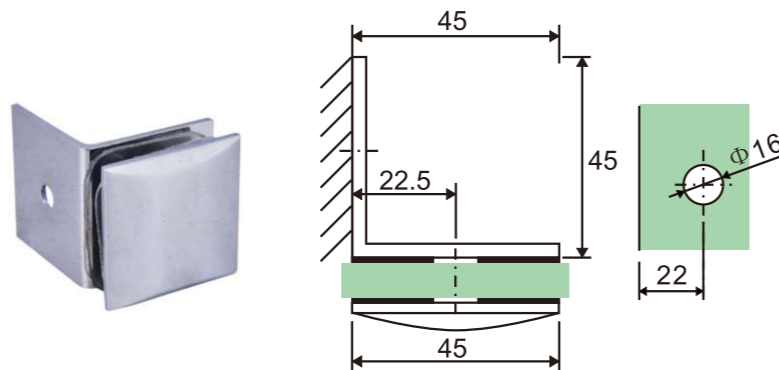
1. Suitable for 6~12mm glass door
2. Max. glass door weight: 35kg
3. Material: Brass
4. Finishing: Chrome, Brushed Nickel or customer-made



**FC181-L**

Glass to wall 90°

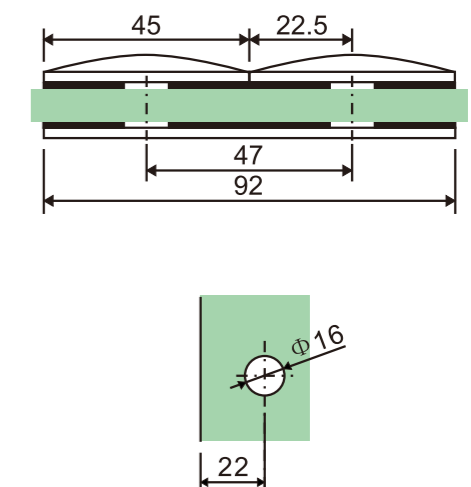
1. Suitable for 6~12mm glass door
2. Max. glass door weight: 35kg
3. Material: Brass
4. Finishing: Chrome, Brushed Nickel or customer-made



**FC184**

Glass to glass 180°

1. Suitable for 6~12mm glass door
2. Max. glass door weight: 35kg
3. Material: Brass
4. Finishing: Chrome, Brushed Nickel or customer-made

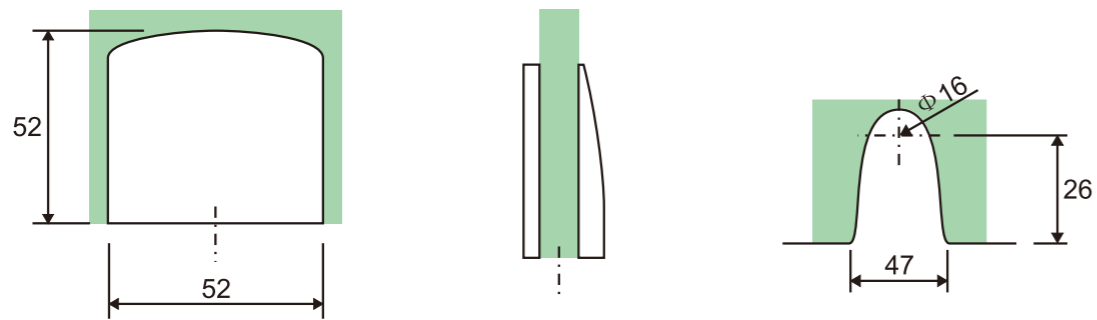




**FC190**

Glass to wall 90°

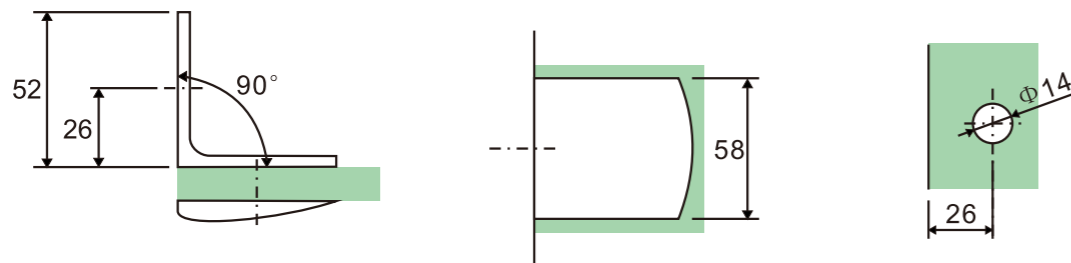
1. Suitable for 6~12mm glass door
2. Max. glass door weight: 35kg
3. Material: Brass
4. Finishing: Chrome, Brushed Nickel or customer-made



**FC191-L**

Glass to wall 90°

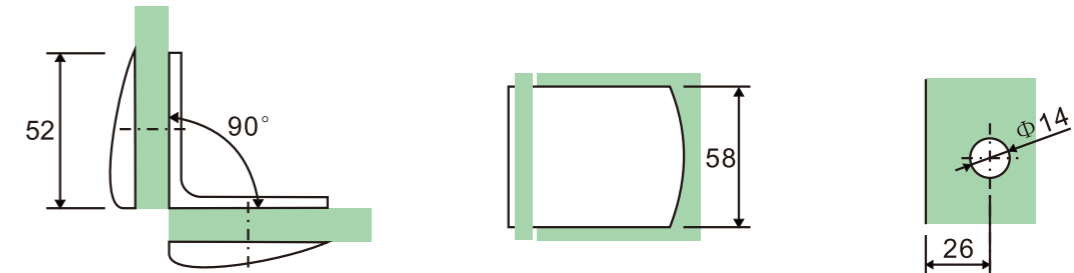
1. Suitable for 6~12mm glass door
2. Max. glass door weight: 35kg
3. Material: Brass
4. Finishing: Chrome, Brushed Nickel or customer-made



**FC192**

Glass to glass 90°

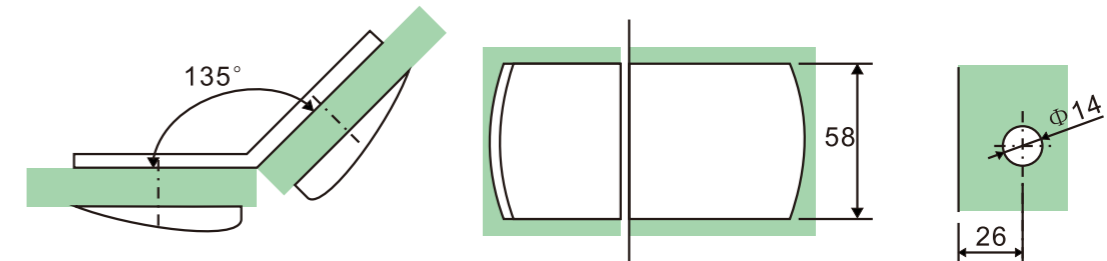
1. Suitable for 6~12mm glass door
2. Max. glass door weight: 35kg
3. Material: Brass
4. Finishing: Chrome, Brushed Nickel or customer-made



**FC193**

Glass to glass 135°

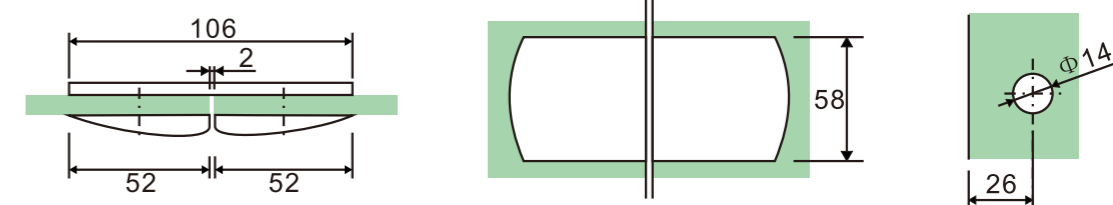
1. Suitable for 6~12mm glass door
2. Max. glass door weight: 35kg
3. Material: Brass
4. Finishing: Chrome, Brushed Nickel or customer-made



**FC194**

Glass to glass 180°

1. Suitable for 6~12mm glass door
2. Max. glass door weight: 35kg
3. Material: Brass
4. Finishing: Chrome, Brushed Nickel or customer-made

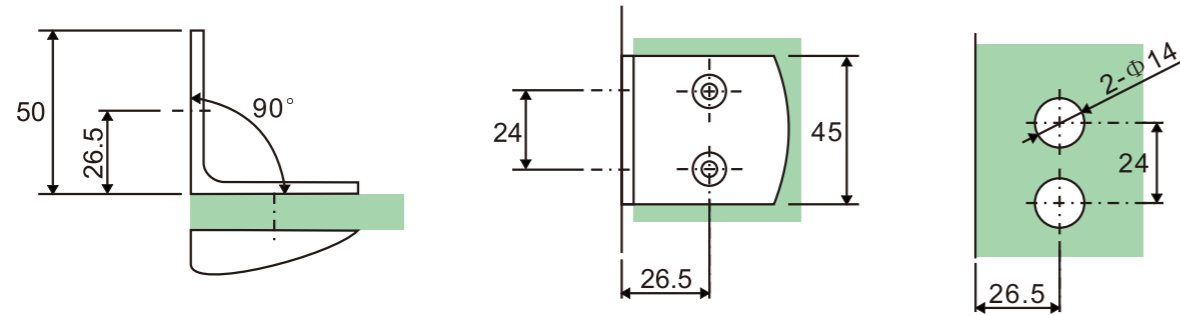




**FC201-L**

Glass to wall 90°

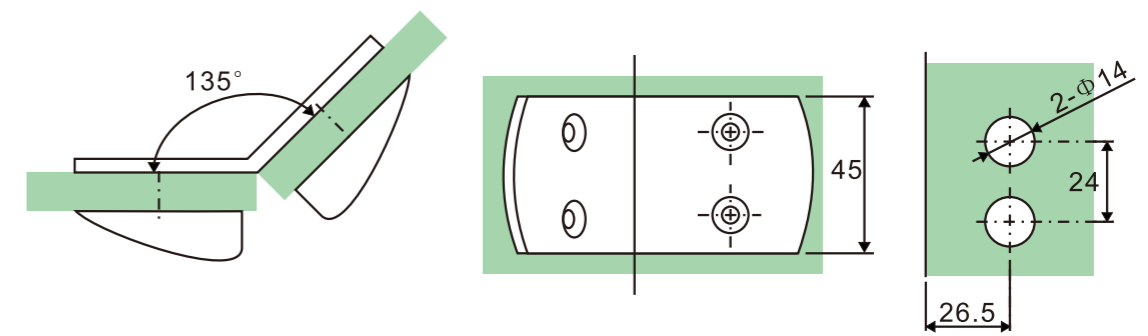
1. Suitable for 6~12mm glass door
2. Max. glass door weight: 35kg
3. Material: Brass
4. Finishing: Chrome, Brushed Nickel or customer-made



**FC203**

Glass to glass 135°

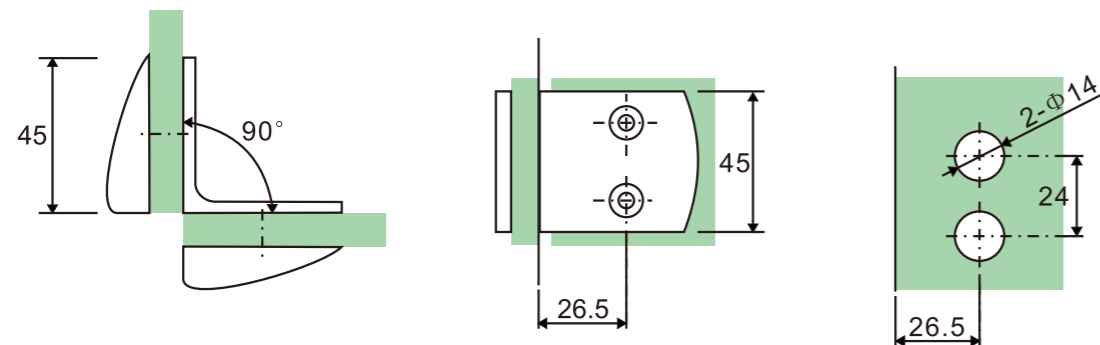
1. Suitable for 6~12mm glass door
2. Max. glass door weight: 35kg
3. Material: Brass
4. Finishing: Chrome, Brushed Nickel or customer-made



**FC202**

Glass to glass 90°

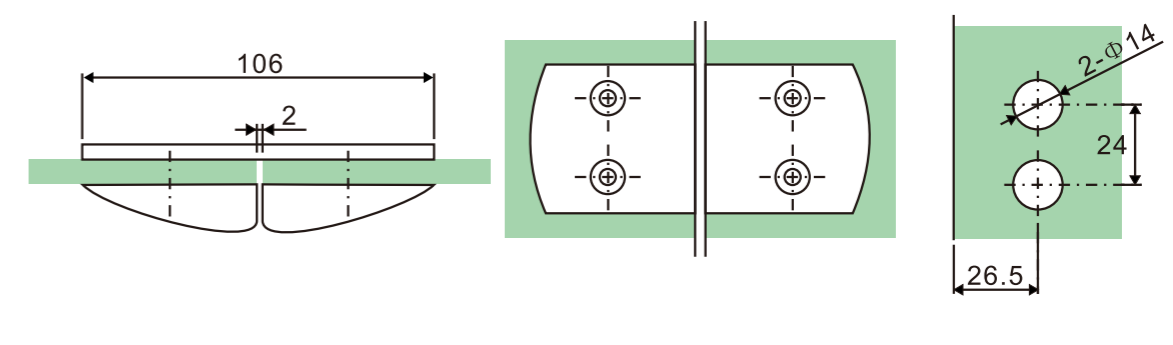
1. Suitable for 6~12mm glass door
2. Max. glass door weight: 35kg
3. Material: Brass
4. Finishing: Chrome, Brushed Nickel or customer-made



**FC204**

Glass to glass 180°

1. Suitable for 6~12mm glass door
2. Max. glass door weight: 35kg
3. Material: Brass
4. Finishing: Chrome, Brushed Nickel or customer-made

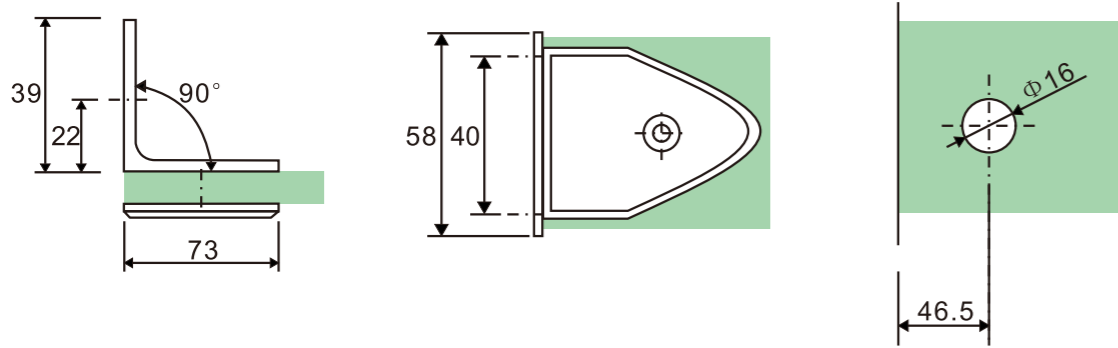




**FC211-L**

Glass to wall 90°

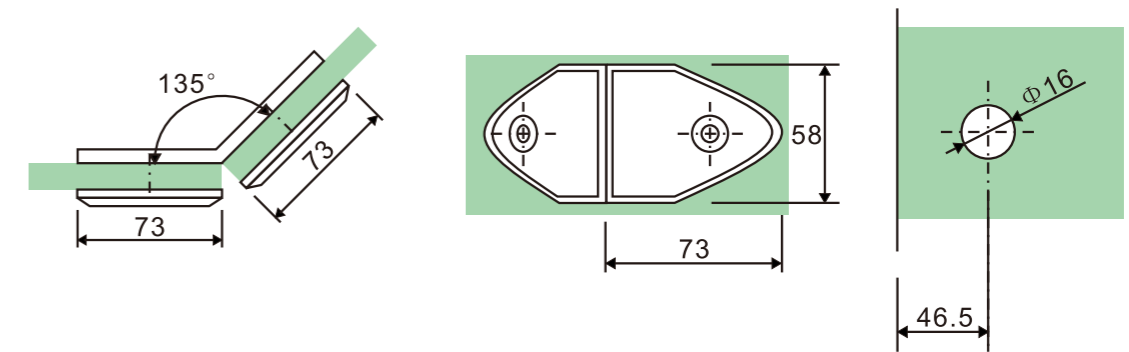
1. Suitable for 8~12mm glass door
2. Max. glass door weight: 45kg
3. Material: Brass
4. Finishing: Chrome, Brushed Nickel or customer-made



**FC213**

Glass to glass 135°

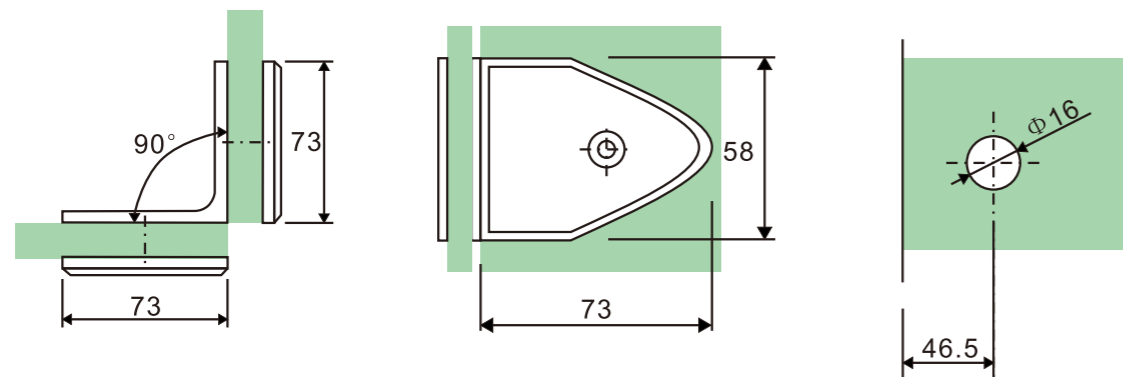
1. Suitable for 8~12mm glass door
2. Max. glass door weight: 45kg
3. Material: Brass
4. Finishing: Chrome, Brushed Nickel or customer-made



**FC212**

Glass to glass 90°

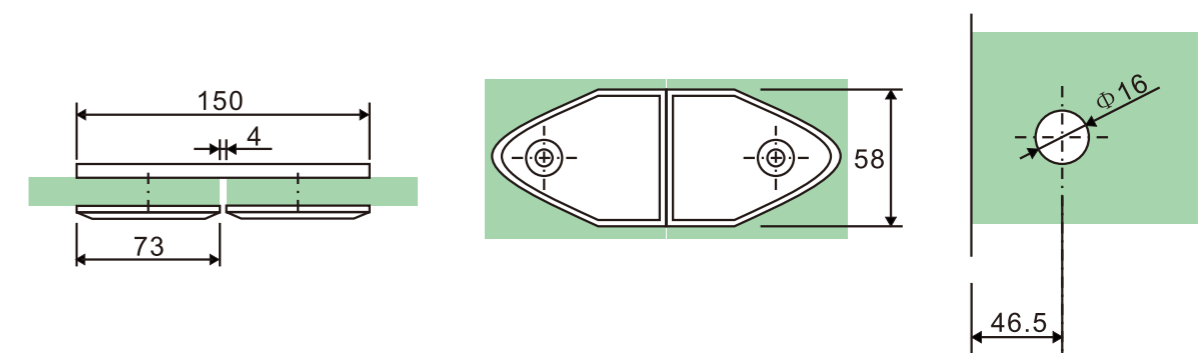
1. Suitable for 8~12mm glass door
2. Max. glass door weight: 45kg
3. Material: Brass
4. Finishing: Chrome, Brushed Nickel or customer-made



**FC214**

Glass to glass 180°

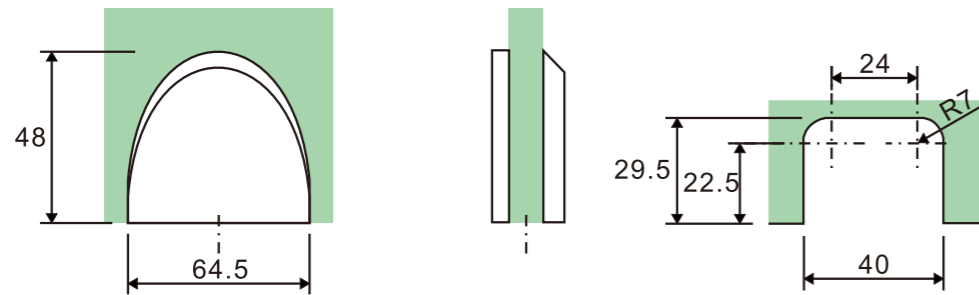
1. Suitable for 8~12mm glass door
2. Max. glass door weight: 45kg
3. Material: Brass
4. Finishing: Chrome, Brushed Nickel or customer-made





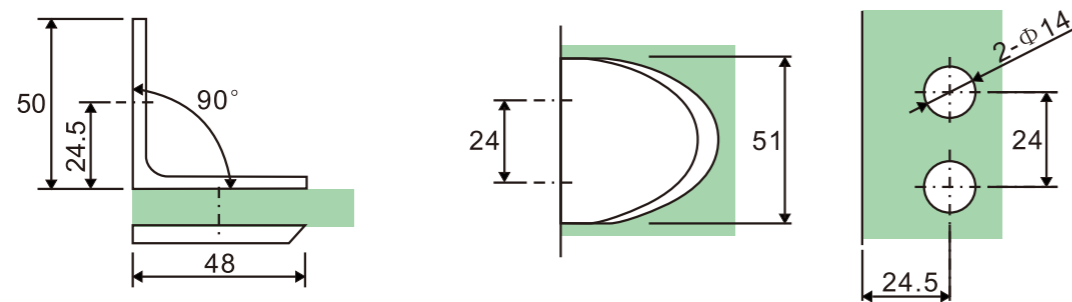
**FC220**  
Glass to wall 90°

1. Suitable for 6~12mm glass door
2. Max. glass door weight: 35kg
3. Material: Brass
4. Finishing: Chrome, Brushed Nickel or customer-made



**FC221-L**  
Glass to wall 90°

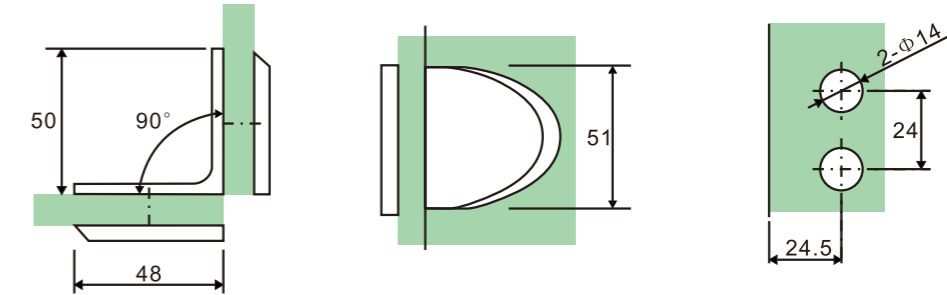
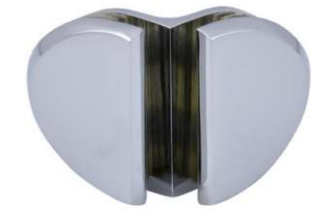
1. Suitable for 6~12mm glass door
2. Max. glass door weight: 35kg
3. Material: Brass
4. Finishing: Chrome, Brushed Nickel or customer-made



**FC222**

Glass to glass 90°

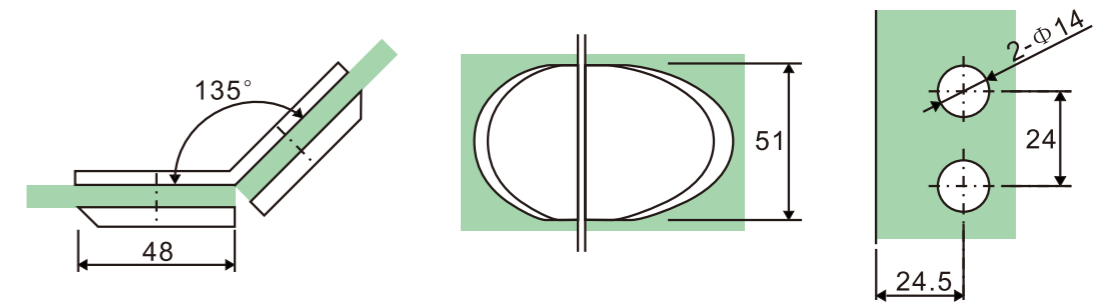
1. Suitable for 6~12mm glass door
2. Max. glass door weight: 35kg
3. Material: Brass
4. Finishing: Chrome, Brushed Nickel or customer-made



**FC223**

Glass to glass 135°

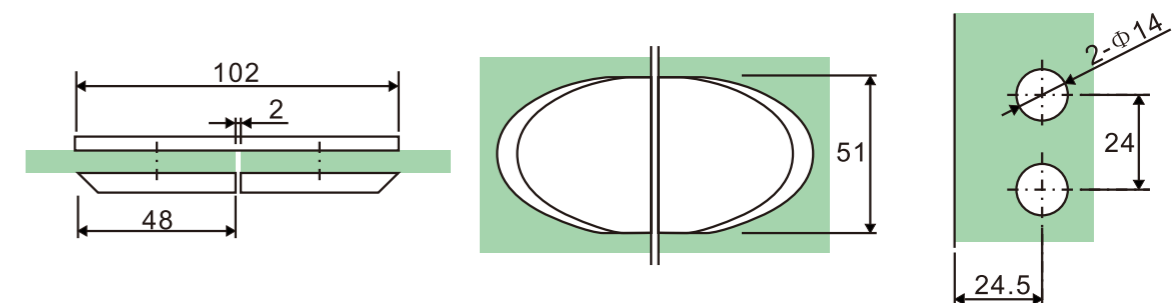
1. Suitable for 6~12mm glass door
2. Max. glass door weight: 35kg
3. Material: Brass
4. Finishing: Chrome, Brushed Nickel or customer-made



**FC224**

Glass to glass 180°

1. Suitable for 6~12mm glass door
2. Max. glass door weight: 35kg
3. Material: Brass
4. Finishing: Chrome, Brushed Nickel or customer-made



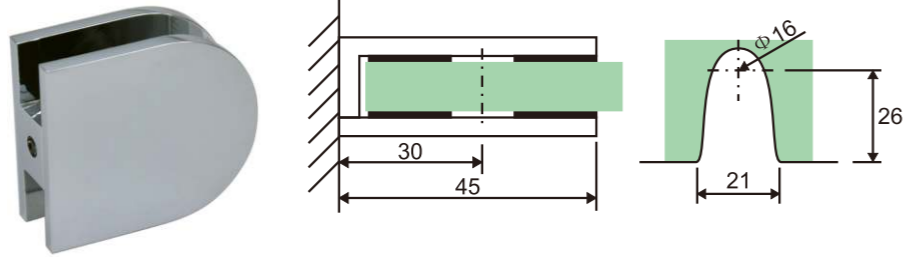


**GLASS CLAMPS SERIES**

**FC230**

Glass to wall 90°

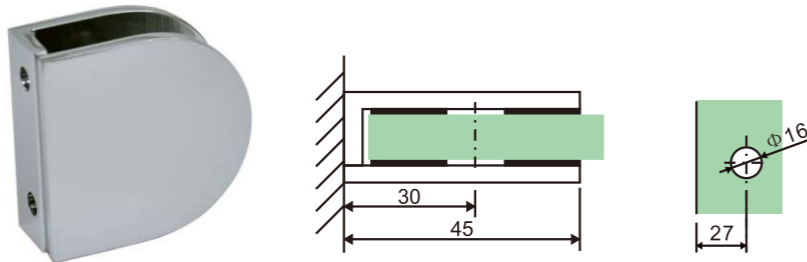
1. Suitable for 6~12mm glass door
2. Max. glass door weight: 35kg
3. Material: Brass
4. Finishing: Chrome, Brushed Nickel or customer-made



**FC230-1**

Glass to wall 90°

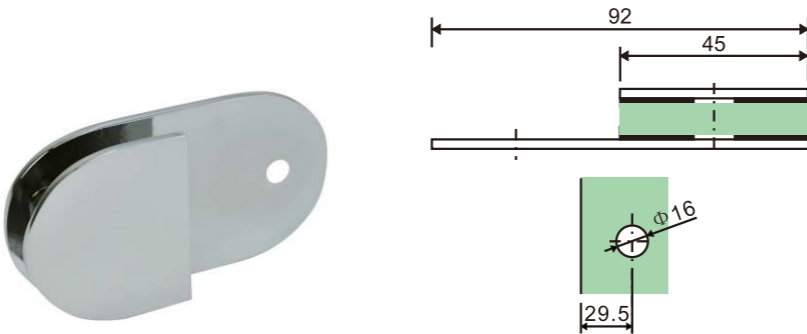
1. Suitable for 6~12mm glass door
2. Max. glass door weight: 35kg
3. Material: Brass
4. Finishing: Chrome, Brushed Nickel or customer-made



**FC230-2**

Glass to wall 180°

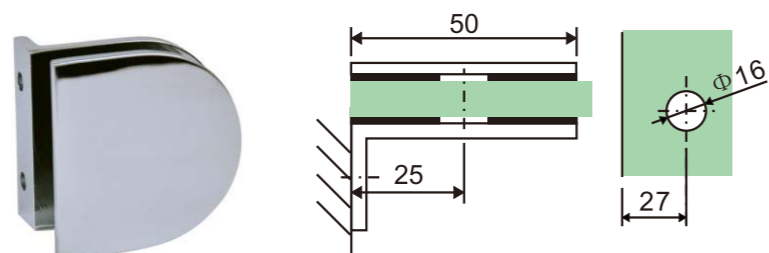
1. Suitable for 6~12mm glass door
2. Max. glass door weight: 35kg
3. Material: Brass
4. Finishing: Chrome, Brushed Nickel or customer-made



**FC231**

Glass to wall 90°

1. Suitable for 6~12mm glass door
2. Max. glass door weight: 35kg
3. Material: Brass
4. Finishing: Chrome, Brushed Nickel or customer-made

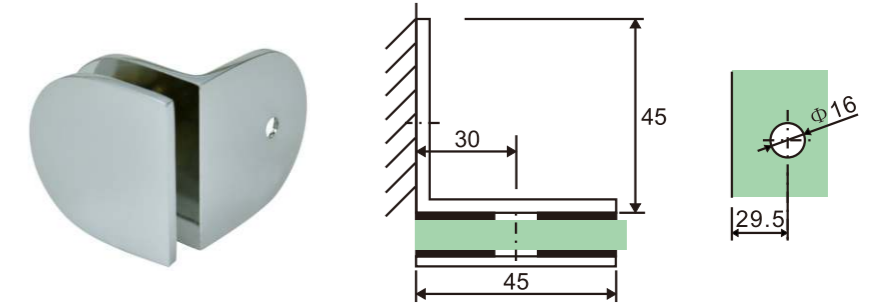


**GLASS CLAMPS SERIES**

**FC231-L**

Glass to wall 90°

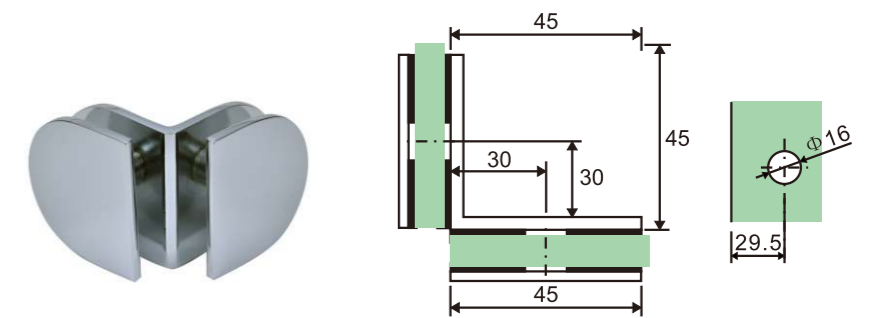
1. Suitable for 6~12mm glass door
2. Max. glass door weight: 35kg
3. Material: Brass
4. Finishing: Chrome, Brushed Nickel or customer-made



**FC232**

Glass to glass 90°

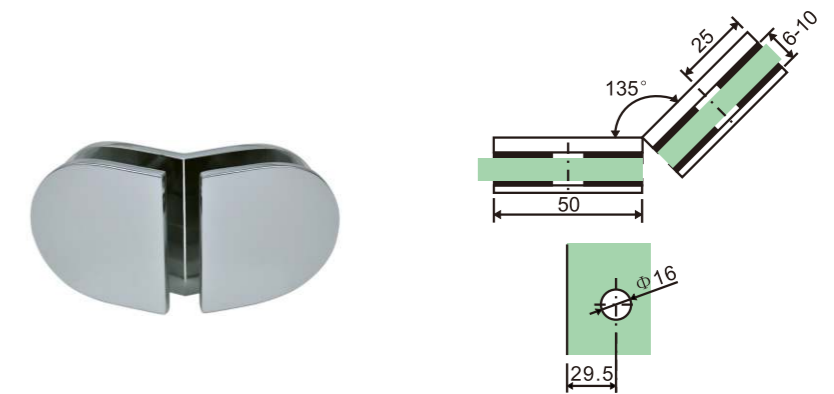
1. Suitable for 6~12mm glass door
2. Max. glass door weight: 35kg
3. Material: Brass
4. Finishing: Chrome, Brushed Nickel or customer-made



**FC233**

Glass to glass 135°

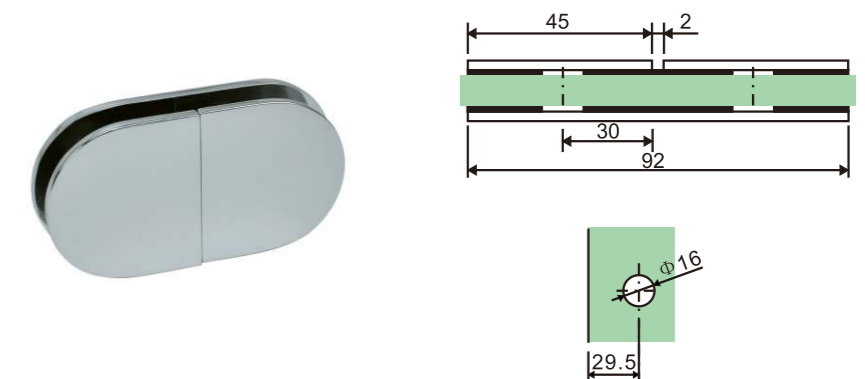
1. Suitable for 6~12mm glass door
2. Max. glass door weight: 35kg
3. Material: Brass
4. Finishing: Chrome, Brushed Nickel or customer-made



**FC234**

Glass to glass 180°

1. Suitable for 6~12mm glass door
2. Max. glass door weight: 35kg
3. Material: Brass
4. Finishing: Chrome, Brushed Nickel or customer-made

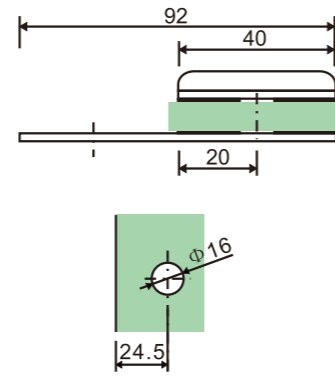


**GLASS CLAMPS SERIES**

**FC240-2**

Glass to wall 180°

1. Suitable for 6~12mm glass door
2. Max. glass door weight: 35kg
3. Material: Brass
4. Finishing: Chrome, Brushed Nickel or customer-made

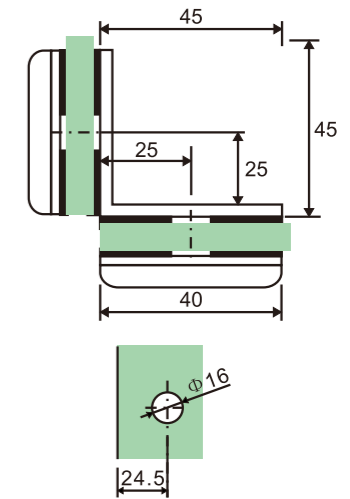


**GLASS CLAMPS SERIES**

**FC242**

Glass to glass 90°

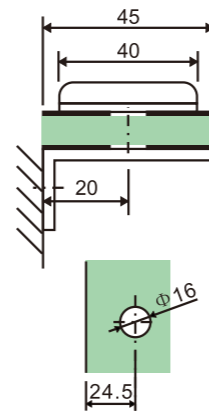
1. Suitable for 6~12mm glass door
2. Max. glass door weight: 35kg
3. Material: Brass
4. Finishing: Chrome, Brushed Nickel or customer-made



**FC241**

Glass to wall 90°

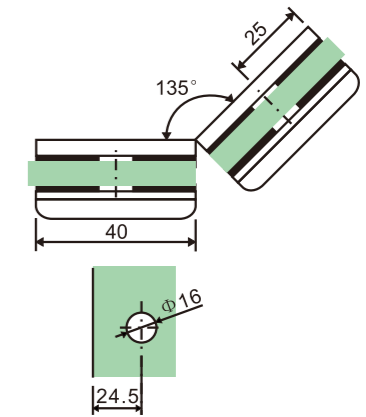
1. Suitable for 6~12mm glass door
2. Max. glass door weight: 35kg
3. Material: Brass
4. Finishing: Chrome, Brushed Nickel or customer-made



**FC243**

Glass to glass 135°

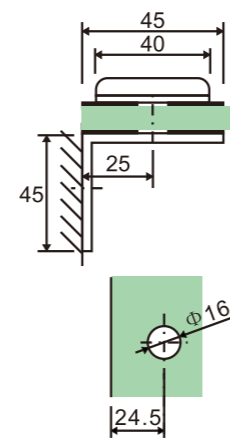
1. Suitable for 6~12mm glass door
2. Max. glass door weight: 35kg
3. Material: Brass
4. Finishing: Chrome, Brushed Nickel or customer-made



**FC241-L**

Glass to wall 90°

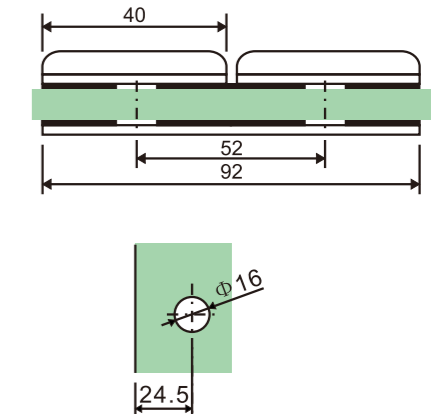
1. Suitable for 6~12mm glass door
2. Max. glass door weight: 35kg
3. Material: Brass
4. Finishing: Chrome, Brushed Nickel or customer-made



**FC244**

Glass to glass 180°

1. Suitable for 6~12mm glass door
2. Max. glass door weight: 35kg
3. Material: Brass
4. Finishing: Chrome, Brushed Nickel or customer-made

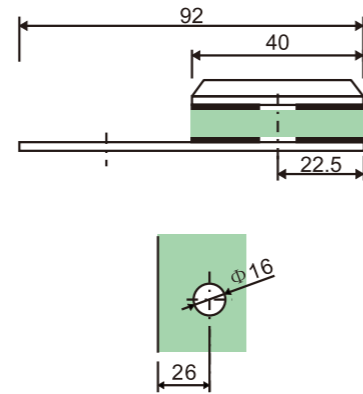


**GLASS CLAMPS SERIES**

**FC250-2**

Glass to wall 180°

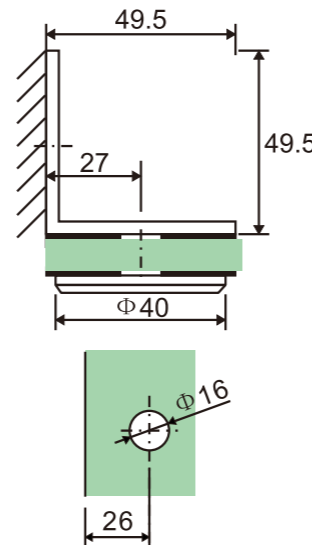
1. Suitable for 6~12mm glass door
2. Max. glass door weight: 35kg
3. Material: Brass
4. Finishing: Chrome, Brushed Nickel or customer-made



**FC251-L**

Glass to wall 90°

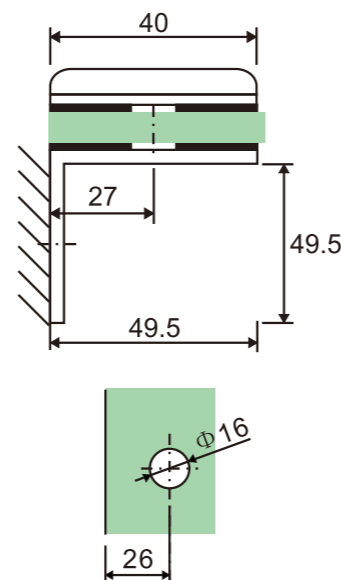
1. Suitable for 6~12mm glass door
2. Max. glass door weight: 35kg
3. Material: Brass
4. Finishing: Chrome, Brushed Nickel or customer-made



**FC251-L1**

Glass to wall 90°

1. Suitable for 6~12mm glass door
2. Max. glass door weight: 35kg
3. Material: Brass
4. Finishing: Chrome, Brushed Nickel or customer-made

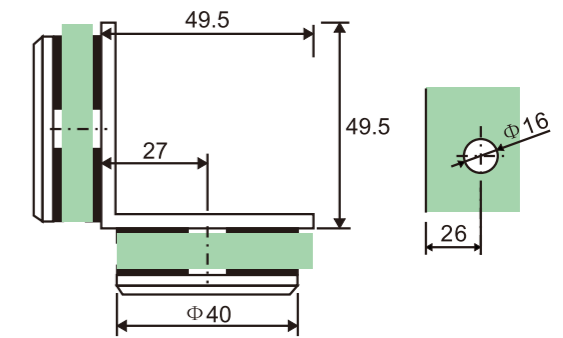


**GLASS CLAMPS SERIES**

**FC252**

Glass to glass 90°

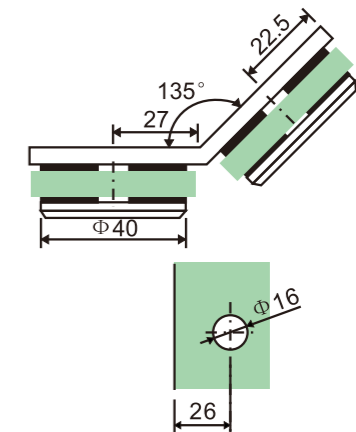
1. Suitable for 6~12mm glass door
2. Max. glass door weight: 35kg
3. Material: Brass
4. Finishing: Chrome, Brushed Nickel or customer-made



**FC253**

Glass to glass 135°

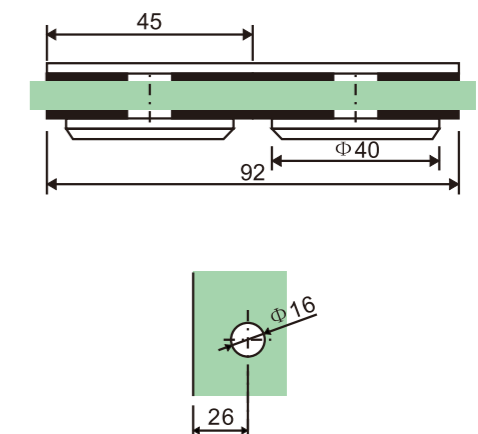
1. Suitable for 6~12mm glass door
2. Max. glass door weight: 35kg
3. Material: Brass
4. Finishing: Chrome, Brushed Nickel or customer-made



**FC254**

Glass to glass 180°

1. Suitable for 6~12mm glass door
2. Max. glass door weight: 35kg
3. Material: Brass
4. Finishing: Chrome, Brushed Nickel or customer-made

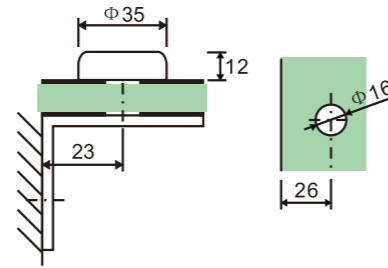


**GLASS CLAMPS SERIES**

**FC261-L**

Glass to wall 90°

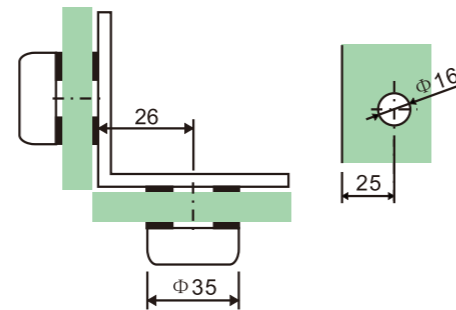
1. Suitable for 6~12mm glass door
2. Max. glass door weight: 35kg
3. Material: Brass
4. Finishing: Chrome, Brushed Nickel or customer-made



**FC262**

Glass to glass 90°

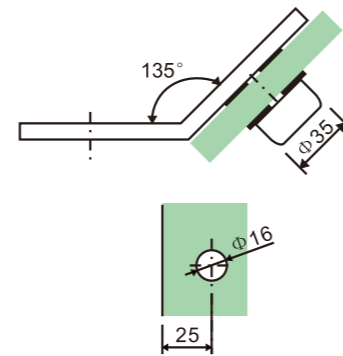
1. Suitable for 6~12mm glass door
2. Max. glass door weight: 35kg
3. Material: Brass
4. Finishing: Chrome, Brushed Nickel or customer-made



**FC263**

Glass to glass 135°

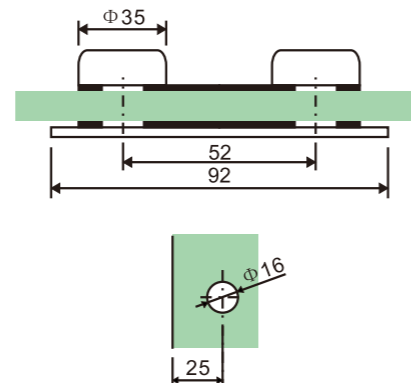
1. Suitable for 6~12mm glass door
2. Max. glass door weight: 35kg
3. Material: Brass
4. Finishing: Chrome, Brushed Nickel or customer-made



**FC264**

Glass to glass 180°

1. Suitable for 6~12mm glass door
2. Max. glass door weight: 35kg
3. Material: Brass
4. Finishing: Chrome, Brushed Nickel or customer-made

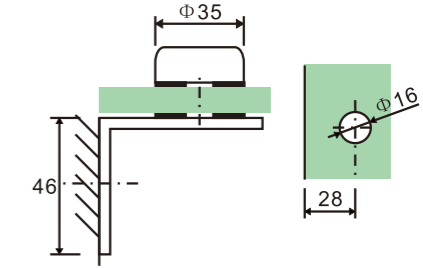


**GLASS CLAMPS SERIES**

**FC271-L**

Glass to wall 90°

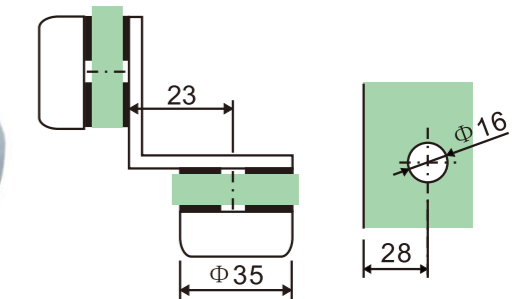
1. Suitable for 6~12mm glass door
2. Max. glass door weight: 35kg
3. Material: Brass
4. Finishing: Chrome, Brushed Nickel or customer-made



**FC272**

Glass to glass 90°

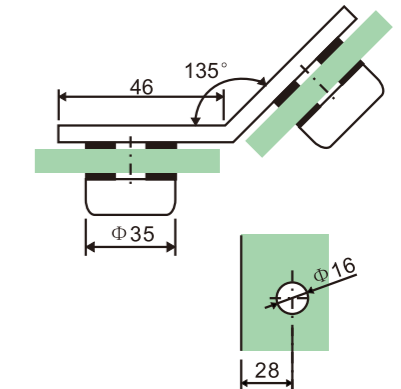
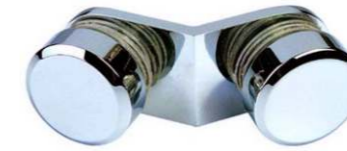
1. Suitable for 6~12mm glass door
2. Max. glass door weight: 35kg
3. Material: Brass
4. Finishing: Chrome, Brushed Nickel or customer-made



**FC273**

Glass to glass 135°

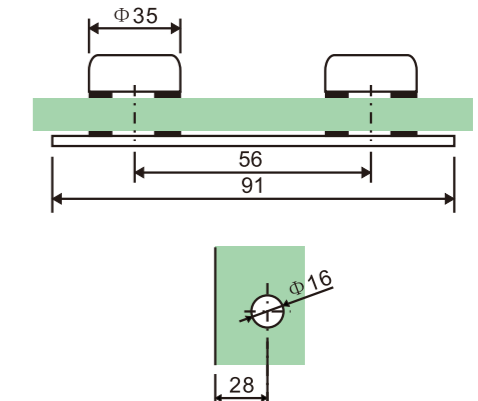
1. Suitable for 6~12mm glass door
2. Max. glass door weight: 35kg
3. Material: Brass
4. Finishing: Chrome, Brushed Nickel or customer-made



**FC274**

Glass to glass 180°

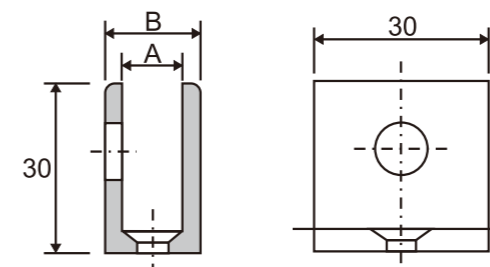
1. Suitable for 6~12mm glass door
2. Max. glass door weight: 35kg
3. Material: Brass
4. Finishing: Chrome, Brushed Nickel or customer-made



# Glass Shelf Clamps Series



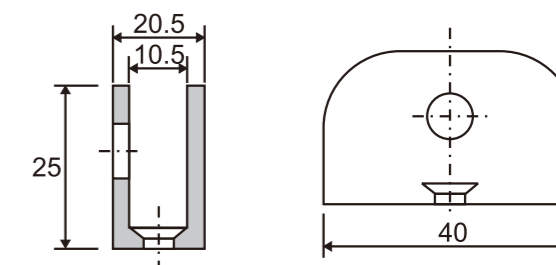
**SC01S**  
Shelf clamp



MODEL	A	B
SC01S-12	13	21
SC01S-10	10.5	16.5

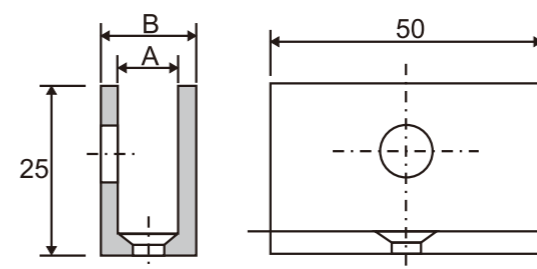
**Material: Brass**

**SC02R**  
Shelf clamp



**Material: Brass**

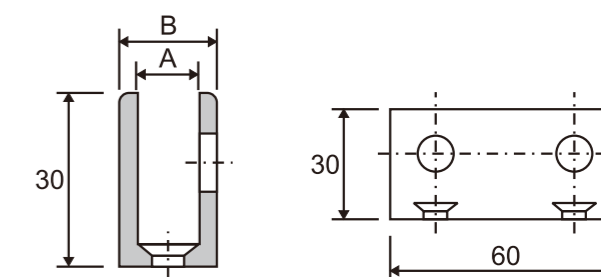
**SC03S**  
Shelf clamp



MODEL	A	B
SC03S-8	8.3	16.3
SC03S-10	10.3	18.3
SC03S-12	12.3	20.3

**Material: Brass**

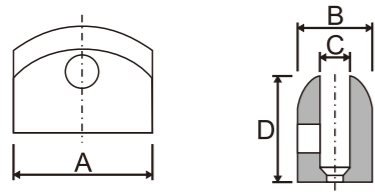
**SC04S**  
Shelf clamp



MODEL	A	B
SC04S-12	13	21
SC04S-10	10.5	17.5

**Material: Brass**

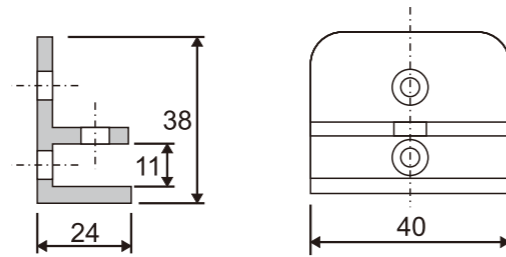
**SC05R**  
Shelf clamp



MODEL	A	B	C	D
SC05R-8	38	20.5	8.5	30
SC05R-10	45	22.5	10.5	35
SC05R-12	50	25.5	13.5	40

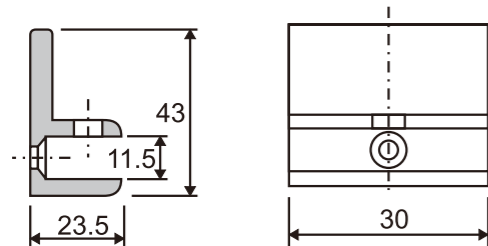
Material: Brass

**SC06R**  
Shelf clamp



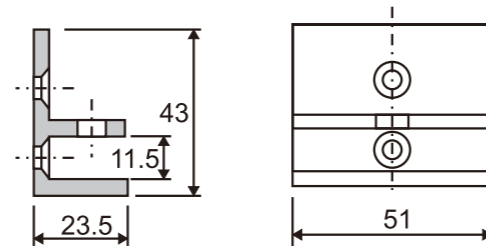
Material: Brass

**SC07S**  
Shelf clamp



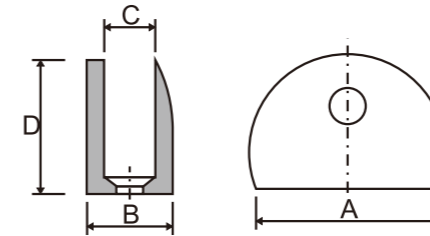
Material: Brass

**SC08S**  
Shelf clamp



Material: Brass

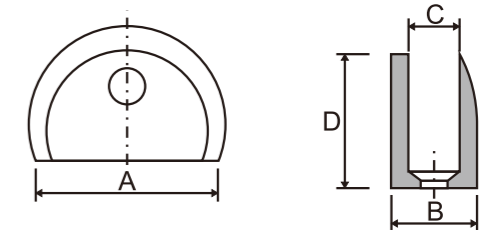
**SC09R**  
Shelf clamp



MODEL	A	B	C	D
SC09R-8	26.5	19	8.5	22
SC09R-8-1	28	18.5	8.5	28
SC09R-10	37.5	19.5	10.5	35
SC09R-12	51	24.5	13.5	38

1. Material: Brass

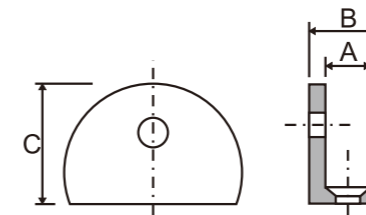
**SC10R**  
Shelf clamp



MODEL	A	B	C	D
SC10R-8	26.5	17.5	8.5	22
SC10R-8-1	28	18.5	8.5	28
SC10R-10	37.5	20.5	10.5	35
SC10R-12	51	24.5	13.5	38

1. Material: Brass

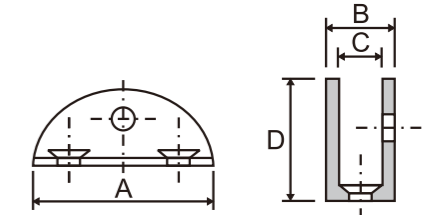
**SC11R**  
Shelf clamp



MODEL	A	B	C
SC11R-8	8.5	15.5	22
SC11R-8-1	8.5	15.5	30
SC11R-10	10.5	17.5	38

1. Material: Brass

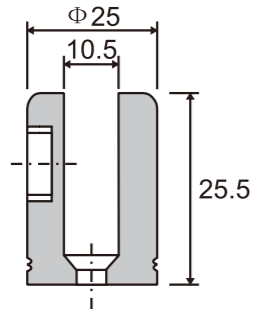
**SC12R**  
Shelf clamp



MODEL	A	B	C	D
SC12R-6	44	15.5	7.5	21
SC12R-10	50	18.5	10.5	24
SC12R-12	55	21.5	13.5	26.5

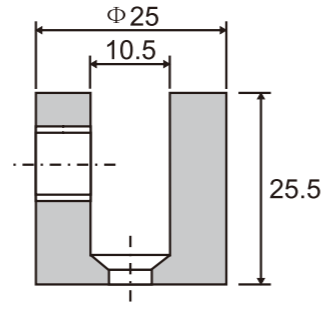
1. Material: Brass

**SC13R**  
Shelf clamp



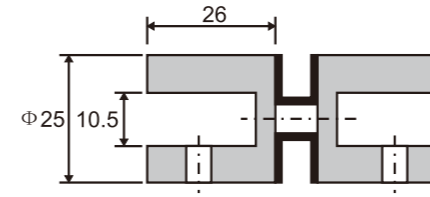
1、Material: Brass

**SC14R**  
Shelf clamp



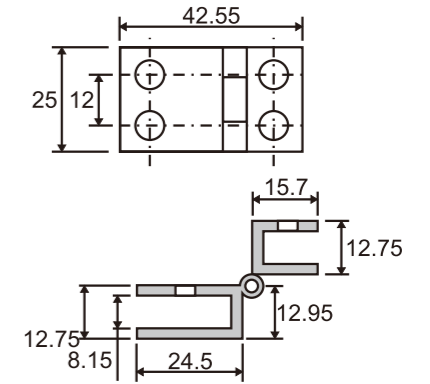
1、Material: Brass

**SC17R**  
Shelf clamp



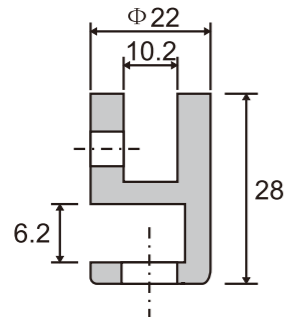
Material: Brass

**SC51**  
Shelf clamp



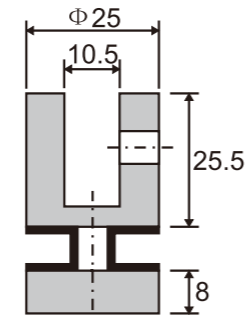
Material: Brass

**SC15R**  
Shelf clamp



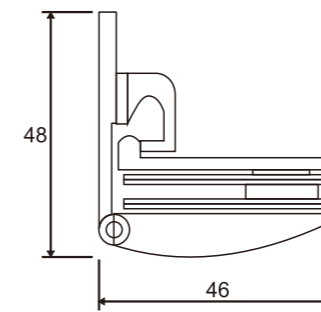
Material: Brass

**SC16R**  
Shelf clamp



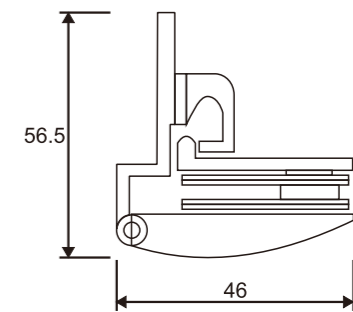
Material: Brass

**SC52**  
Shelf clamp



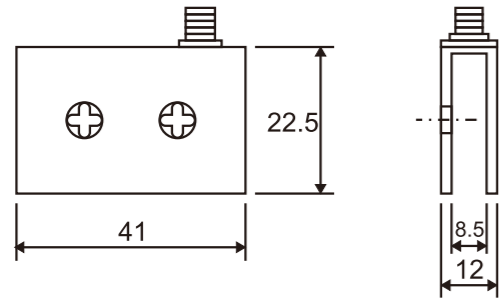
Material: Brass

**SC53**  
Shelf clamp



Material: Brass

**SC54**  
Shelf clamp



Material: Brass



## Shower Door Knobs Series

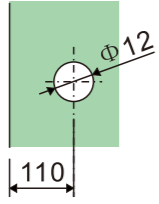




SHOWER DOOR KNOBS

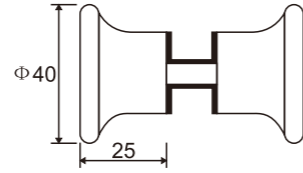
**DK10**

Material : Brass



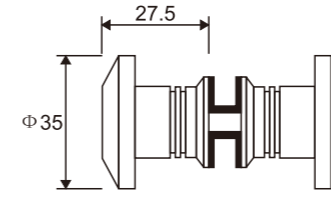
**DK10-1**

Material : Brass



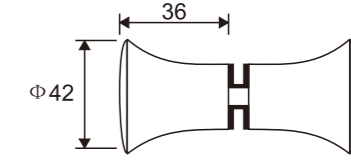
**DK10-6**

Material : Brass



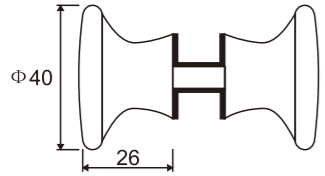
**DK11**

Material : Brass



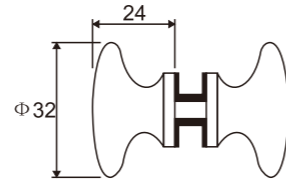
**DK10-2**

Material : Brass



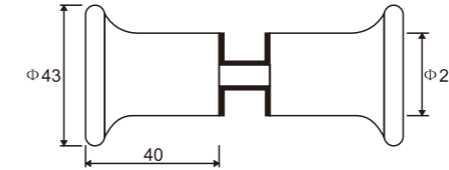
**DK10-3**

Material : Brass



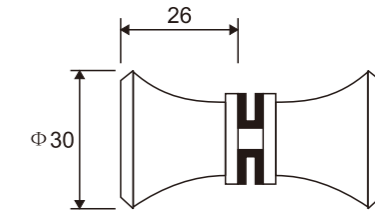
**DK11-1**

Material : Brass



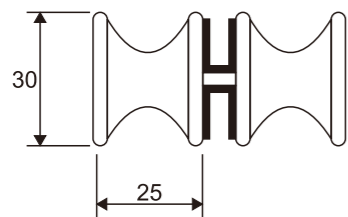
**DK11-2**

Material : Brass



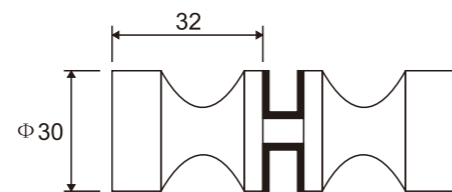
**DK10-4**

Material : Brass



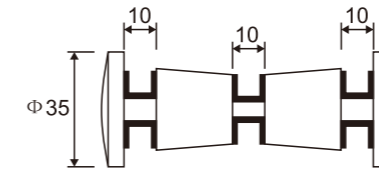
**DK10-5**

Material : Brass



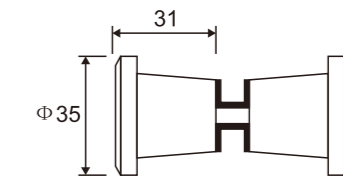
**DK11-3**

Material : Brass



**DK11-4**

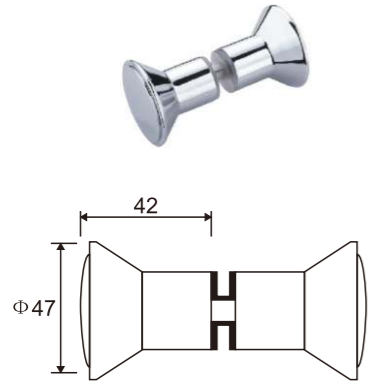
Material : Brass



SHOWER DOOR KNOBS

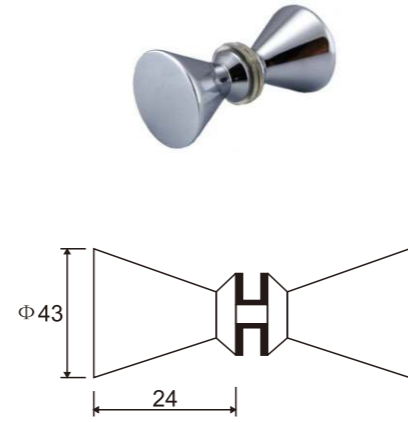
DK11-5

Material : Brass



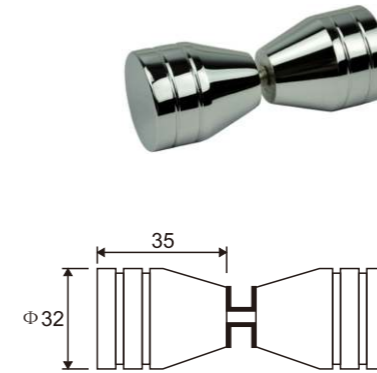
DK12

Material : Brass



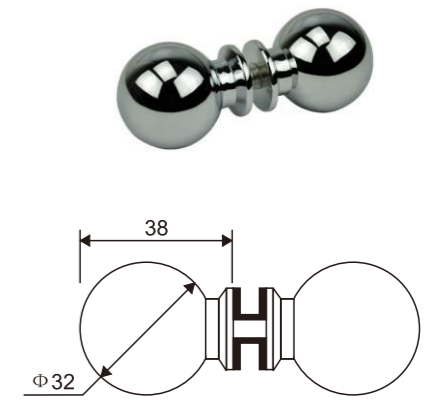
DK12-5

Material : Brass



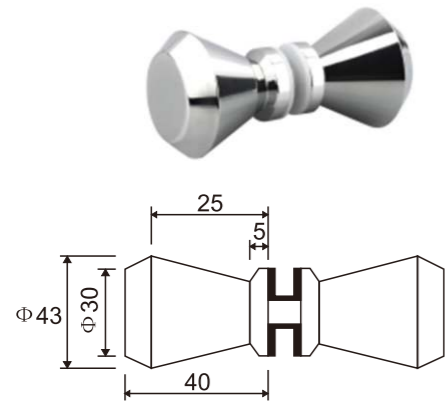
DK12-6

Material : Brass



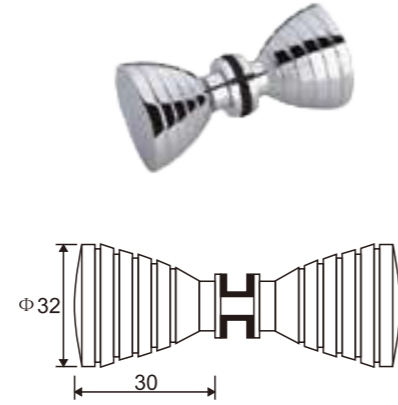
DK12-1

Material : Brass



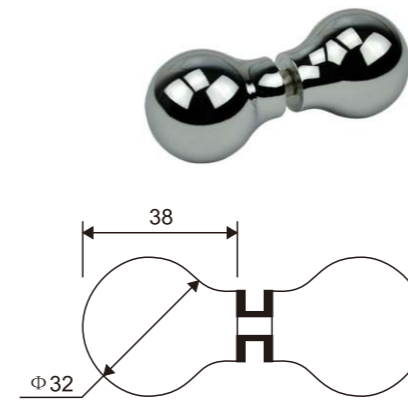
DK12-2

Material : Brass



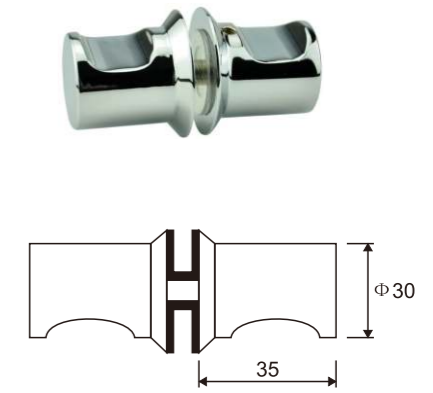
DK12-7

Material : Brass



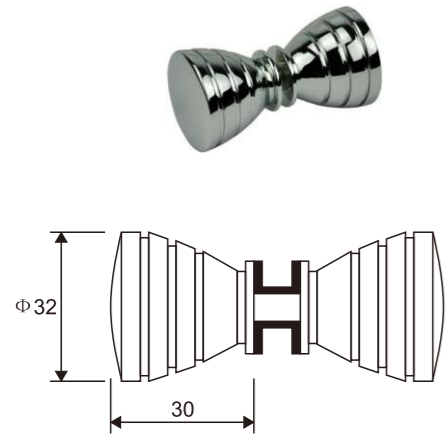
DK13

Material : Brass



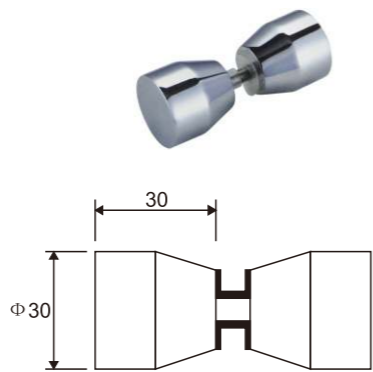
DK12-3

Material : Brass



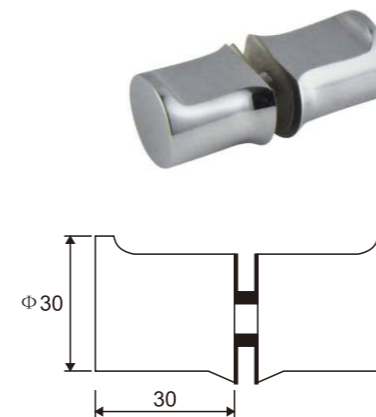
DK12-4

Material : Brass



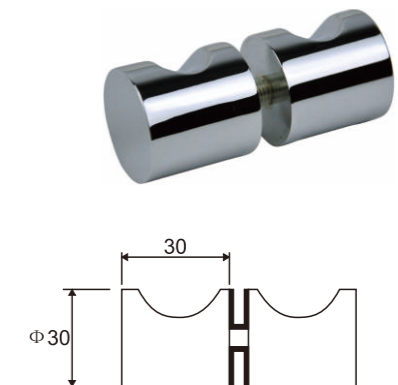
DK13-1

Material : Brass



DK13-2

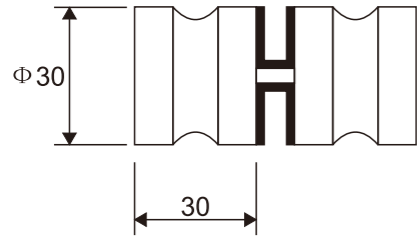
Material : Brass



SHOWER DOOR KNOBS

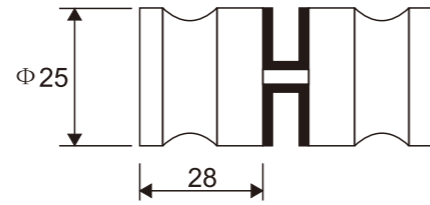
**DK13-3**

Material : Brass



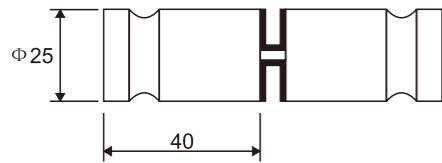
**DK13-4**

Material : Brass



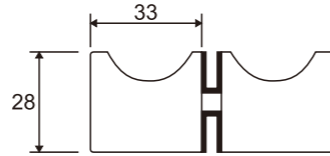
**DK13-5**

Material : Brass



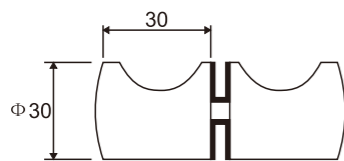
**DK13-6**

Material : Brass



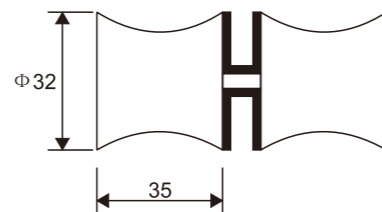
**DK13-7**

Material : Brass



**DK14**

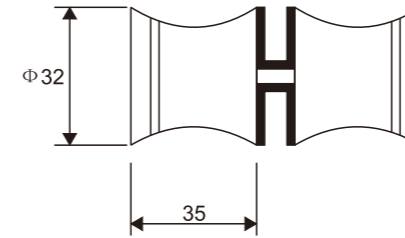
Material : Brass



SHOWER DOOR KNOBS

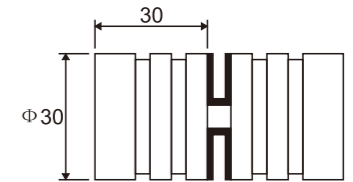
**DK14-1**

Material : Brass



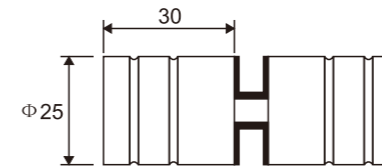
**DK14-2**

Material : Brass



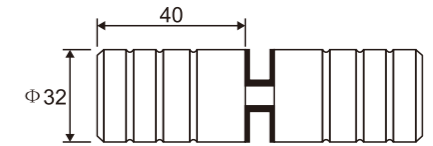
**DK14-3**

Material : Brass



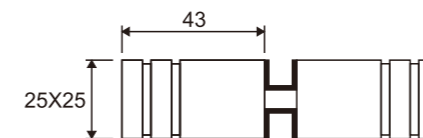
**DK14-4**

Material : Brass



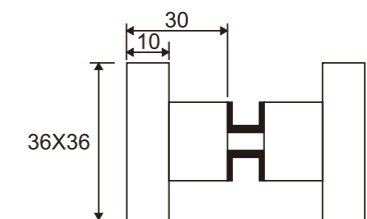
**DK15**

Material : Brass



**DK15-1**

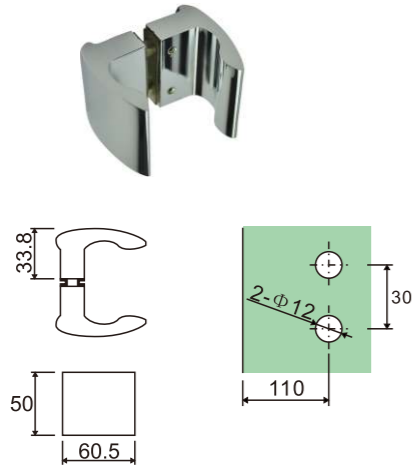
Material : Brass



SHOWER DOOR KNOBS

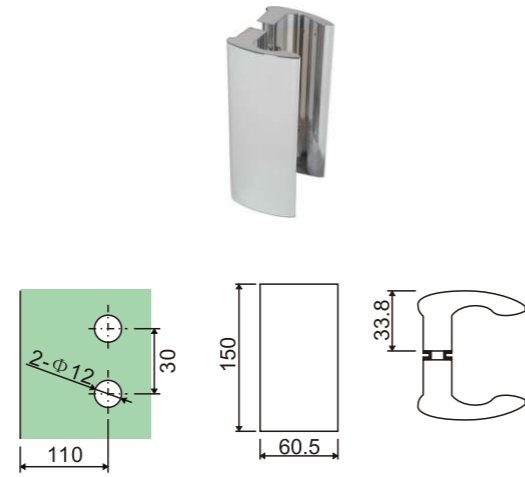
DK15-2

Material : Brass



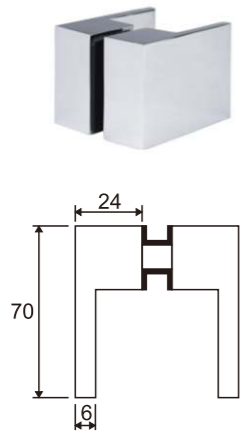
DK15-3

Material : Brass



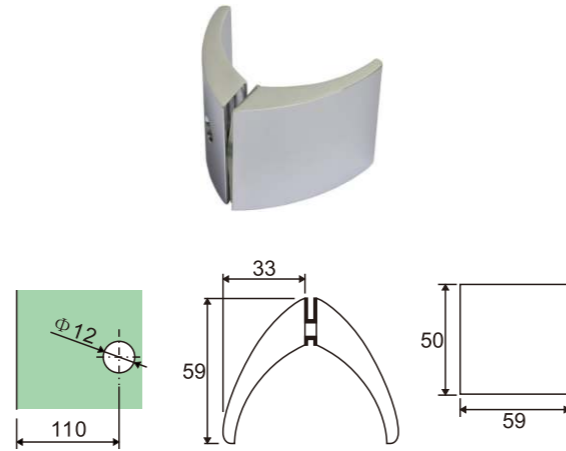
DK15-4

Material : Brass



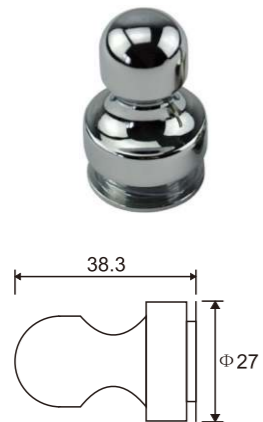
DK15-5

Material : Brass



DK15-6

Material : Brass



DK16

Material : Plastic



SHOWER DOOR KNOBS

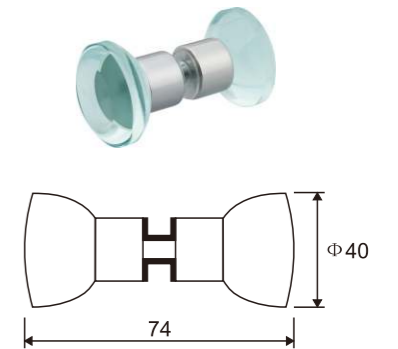
DK16-1

Material : Plastic



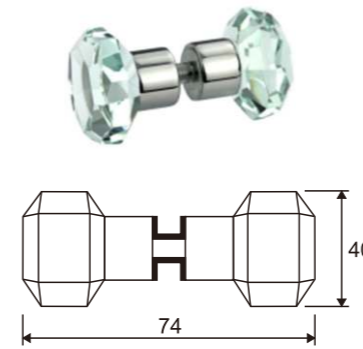
DK16-2

Material : s/s+glass



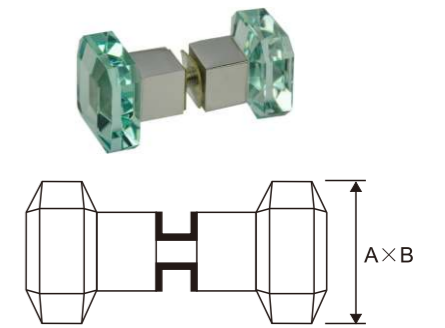
DK16-3

Material : s/s+glass



DK16-4

Material : s/s+glass



MODEL	A×B
DK16-4-36	36×36
DK16-4-46	46×46



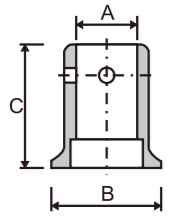


## Bathroom Tube Connectors Series



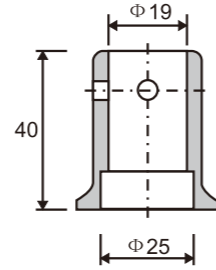
BATHROOM TUBE CONNECTORS

**RC10**  
Tube connector  
Material : Brass

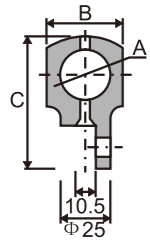


MODEL	A	B	C
RC10-19	Φ 19.6	Φ 35	40
RC10-22	Φ 22.6	Φ 38	40
RC10-25	Φ 25.6	Φ 40	40

**RC10-H**  
Tube connector  
Material :Stainless steel.

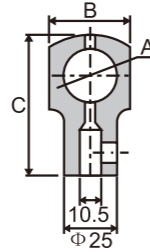


**RC11**  
Tube connector  
Material : Brass



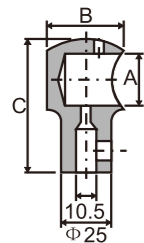
MODEL	A	B	C
RC11-19	Φ 19.6	Φ 30	61.5
RC11-22	Φ 22.6	Φ 32	66
RC11-25	Φ 25.6	Φ 35	68

**RC12**  
Tube connector  
Material : Brass



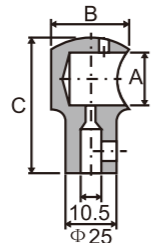
MODEL	A	B	C
RC12-19	Φ 19.6	Φ 27	61.5
RC12-22	Φ 22.6	Φ 30	66
RC12-25	Φ 25.6	Φ 32	68

**RC13**  
Tube connector  
Material : Brass



MODEL	A	B	C
RC13-19	19.6	27	61.5
RC13-22	22.6	30	66
RC13-25	25.6	32	68

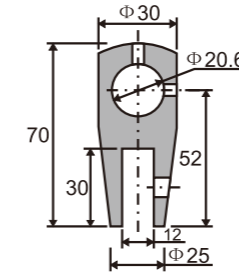
**RC14**  
Tube connector  
Material : Brass



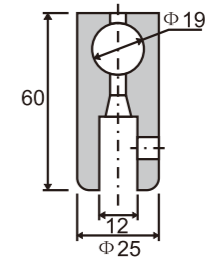
MODEL	A	B	C
RC14-19	Φ 19.6	Φ 27	61.5
RC14-22	Φ 22.6	Φ 30	66
RC14-25	Φ 25.6	Φ 32	68

BATHROOM TUBE CONNECTORS

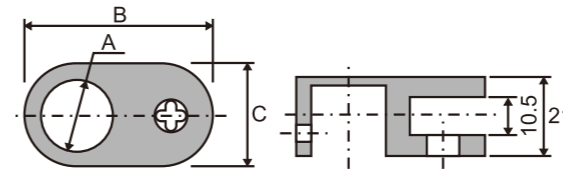
**RC15**  
Tube connector  
Material : Brass



**RC16**  
Tube connector  
Material : Brass

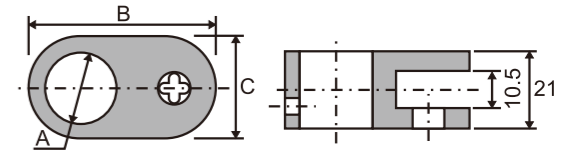


**RC17**  
Tube connector  
Material : Brass



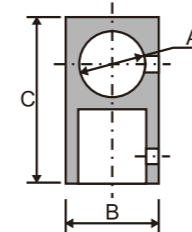
MODEL	A	B	C
RC17-19	Φ 19	50	28
RC17-22	Φ 22	50	28

**RC18**  
Tube connector  
Material : Brass



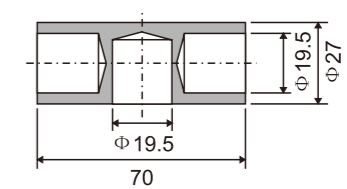
MODEL	A	B	C
RC18-19	Φ 19.6	50	28
RC18-22	Φ 22.6	50	28

**RC19**  
Tube connector  
Material : Brass

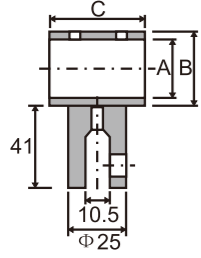


MODEL	A	B	C
RC19-19	Φ 19.6	Φ 27	50
RC19-22	Φ 22.6	Φ 30	53
RC19-25	Φ 25.6	Φ 35	57

**RC20**  
Tube connector  
Material : Brass

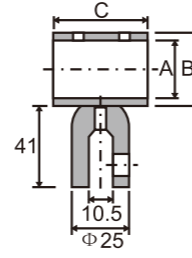


**RC21**  
Tube connector  
Material : Brass



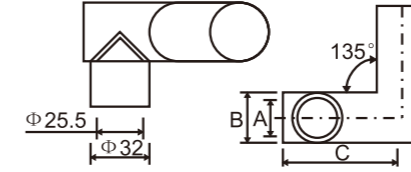
MODEL	A	B	C
RC21-19	Φ 19.6	Φ 27	40
RC21-22	Φ 22.6	Φ 30	30
RC21-25	Φ 25.6	Φ 32	40

**RC22**  
Tube connector  
Material : Brass



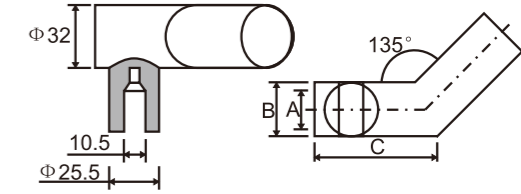
MODEL	A	B	C
RC22-19	Φ 19.6	Φ 27	40
RC22-22	Φ 22.6	Φ 30	40
RC22-25	Φ 25.6	Φ 32	40

**RC27**  
Tube connector  
Material :Stainless steel



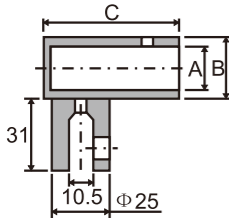
MODEL	A	B	C
RC27-19	Φ 19.6	Φ 27	60
RC27-22	Φ 22.6	Φ 30	60
RC27-25	Φ 25.6	Φ 32	60

**RC28**  
Tube connector  
Material : Stainless steel



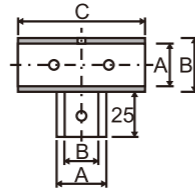
MODEL	A	B	C
RC28-19	Φ 19.6	Φ 27	60
RC28-22	Φ 22.6	Φ 30	60
RC28-25	Φ 25.6	Φ 32	60

**RC23**  
Tube connector  
Material : Brass



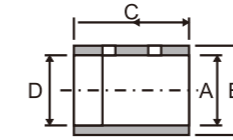
MODEL	A	B	C
RC23-19	Φ 19.6	Φ 27	60
RC23-22	Φ 22.6	Φ 30	60
RC23-25	Φ 25.6	Φ 32	60

**RC24**  
Tube connector  
Material : S/S



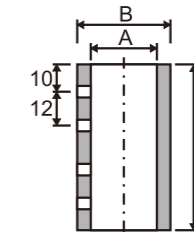
MODEL	A	B	C
RC24-19	Φ 19.6	Φ 27	70
RC24-22	Φ 22.6	Φ 30	70
RC24-25	Φ 25.6	Φ 32	80

**RC29**  
Tube connector  
Material : Brass



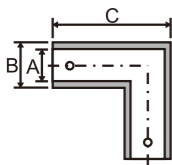
MODEL	A	B	C	D
RC29-19	Φ 19.6	Φ 27	40	M24X1
RC29-22	Φ 22.6	Φ 30	40	M24X1
RC29-25	Φ 25.6	Φ 32	40	M27X1

**RC30**  
Tube connector  
Material : Brass



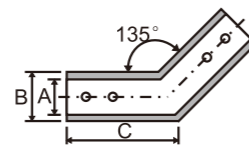
MODEL	A	B	C
RC30-19	Φ 19.6	Φ 27	60
RC30-22	Φ 22.6	Φ 30	60
RC30-25	Φ 25.6	Φ 32	60

**RC25**  
Tube connector  
Material :Stainless steel



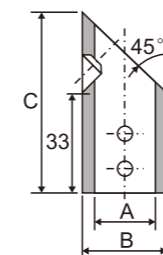
MODEL	A	B	C
RC25-19	Φ 19.6	Φ 27	60
RC25-22	Φ 22.6	Φ 30	60
RC25-25	Φ 25.6	Φ 32	60

**RC26**  
Tube connector  
Material :Stainless steel



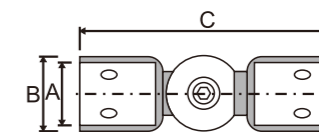
MODEL	A	B	C
RC26-19	Φ 19.6	Φ 27	60
RC26-22	Φ 22.6	Φ 30	60
RC26-25	Φ 25.6	Φ 32	60

**RC31**  
Tube connector  
Material : Brass



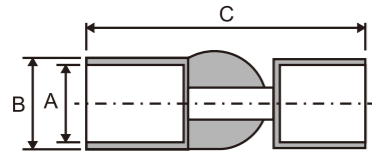
MODEL	A	B	C
RC31-19	Φ 19.6	Φ 27	65
RC31-22	Φ 22.6	Φ 30	65
RC31-25	Φ 25.6	Φ 32	65

**RC32**  
Tube connector  
Material : Brass



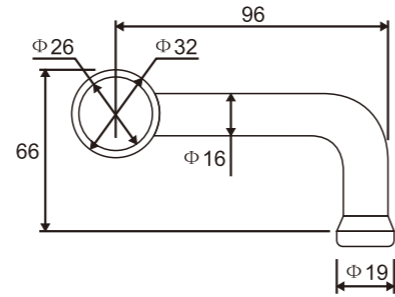
MODEL	A	B	C
RC32-19	Φ 19.6	Φ 27	105
RC32-22	Φ 22.6	Φ 30	105
RC32-25	Φ 25.6	Φ 32	105

**RC33**  
Tube connector  
Material : Brass

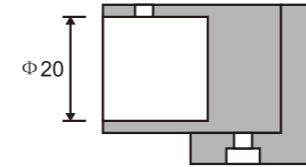


MODEL	A	B	C
RC33-19	Φ 19.6	Φ 27	82
RC33-22	Φ 22.6	Φ 30	85
RC33-25	Φ 25.6	Φ 32	92.5

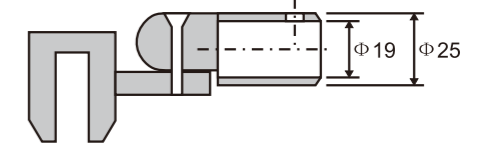
**RC34**  
Tube connector  
Material : Brass



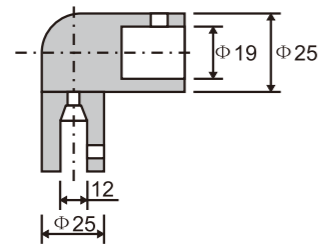
**RC39**  
Tube connector  
Material : Brass



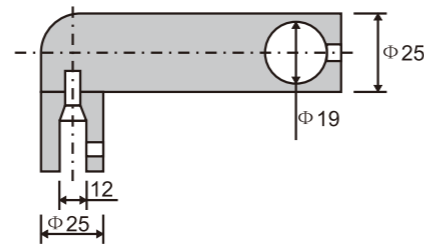
**RC40**  
Tube connector  
Material : Brass



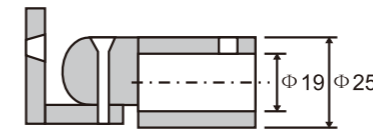
**RC35**  
Tube connector  
Material : Brass



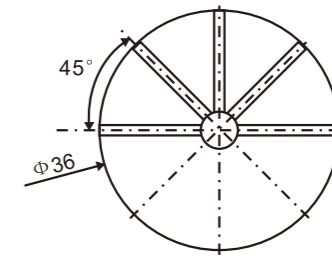
**RC36**  
Tube connector  
Material : Brass



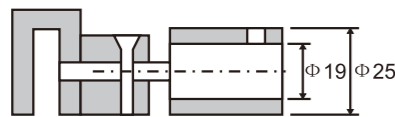
**RC41**  
Tube connector  
Material : Brass



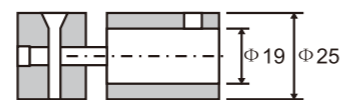
**RC42**  
Tube connector  
Material : Brass



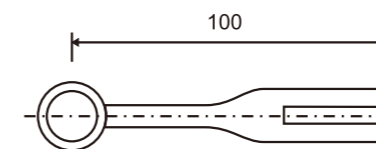
**RC37**  
Tube connector  
Material : Brass



**RC38**  
Tube connector  
Material : Brass



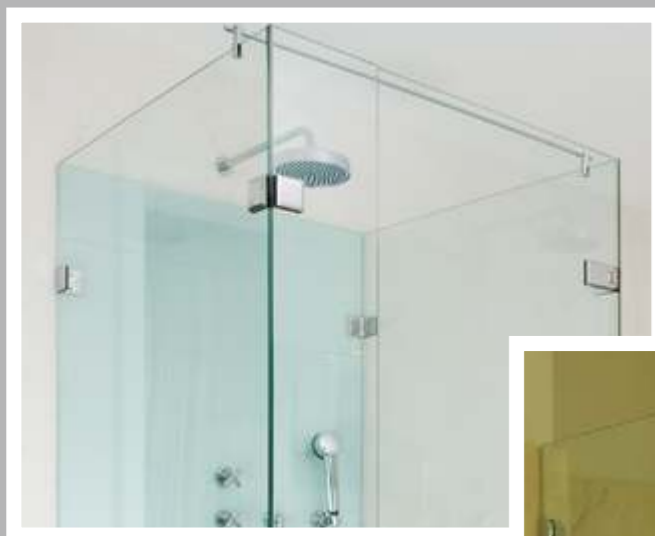
**RC43**  
Tube connector  
Material : Brass







**BATHROOM  
SUPPORT  
BAR**



**Bathroom Support Bar Series**



**SB501**

- 1. Material : Brass, Stainless steel
- 2. The length can be customer-made



**SB502**

- 1. Material : Brass, Stainless steel
- 2. The length can be customer-made



**SB507**

- 1. Material : Brass, Stainless steel
- 2. The length can be customer-made



**SB508**

- 1. Material : Brass, Stainless steel
- 2. The length can be customer-made



**SB503**

- 1. Material : Brass, Stainless steel
- 2. The length can be customer-made



**SB504**

- 1. Material : Brass, Stainless steel
- 2. The length can be customer-made



**SB509**

- 1. Material : Brass, Stainless steel
- 2. The length can be customer-made



**SB510**

- 1. Material : Brass, Stainless steel
- 2. The length can be customer-made



**SB505**

- 1. Material : Brass, Stainless steel
- 2. The length can be customer-made



**SB506**

- 1. Material : Brass, Stainless steel
- 2. The length can be customer-made



**SB511**

- 1. Material : Brass, Stainless steel
- 2. The length can be customer-made



**SB512**

- 1. Material : Brass, Stainless steel
- 2. The length can be customer-made



BATHROOM SUPPORT BAR

**SB513**

- 1、Material : Brass、Stainless steel
- 2、The length can be customer-made



**SB514**

- 1、Material : Brass、Stainless steel
- 2、The length can be customer-made



**SB515**

- 1、Material : Brass、Stainless steel
- 2、The length can be customer-made



**SB601**

- 1、Material : Brass、Stainless steel
- 2、The length can be customer-made



**SB602**

- 1、Material : Brass、Stainless steel
- 2、The length can be customer-made



**SB603**

- 1、Material : Brass、Stainless steel
- 2、The length can be customer-made



**SB604**

- 1、Material : Brass、Stainless steel
- 2、The length can be customer-made



**SB605**

- 1、Material : Brass、Stainless steel
- 2、The length can be customer-made



**SB606**

- 1、Material : Brass、Stainless steel
- 2、The length can be customer-made



**SB607**

- 1、Material : Brass、Stainless steel
- 2、The length can be customer-made



**SB608**

- 1、Material : Brass、Stainless steel
- 2、The length can be customer-made



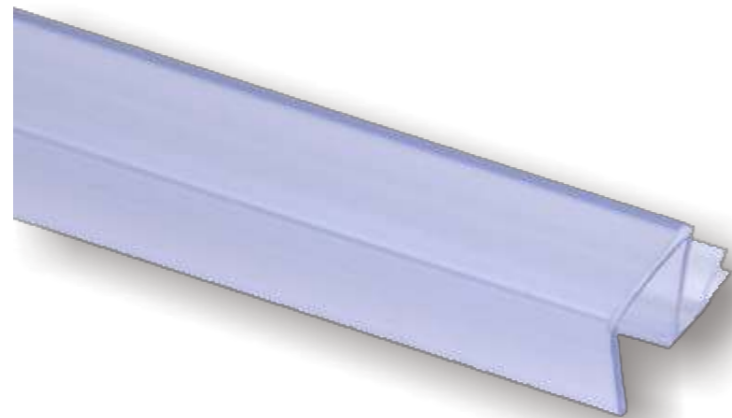
**SB609**

- 1、Material : Brass、Stainless steel
- 2、The length can be customer-made



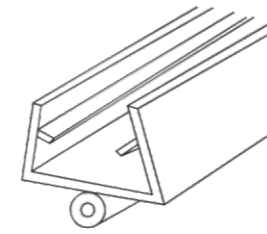
BATHROOM SUPPORT BAR

## PVC Sealing Strips Series

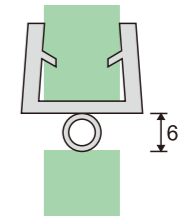


### PVC SEALING STRIPS

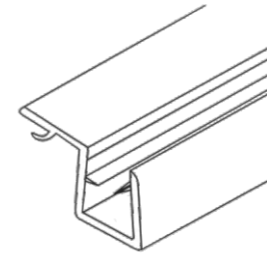
#### PS101



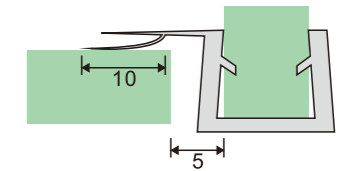
- 1、Material : Extruded PVC
- 2、Finishing: Clear or Mat
- 3、Suitable for 6、 8、 10 or 12mm glass



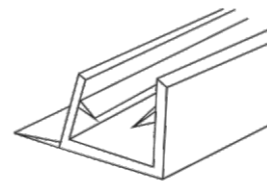
#### PS102



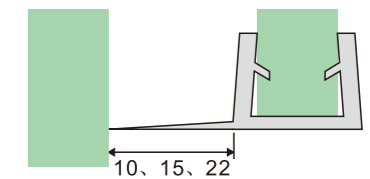
- 1、Material : Extruded PVC
- 2、Finishing: Clear or Mat
- 3、Suitable for 6、 8、 10 or 12mm glass



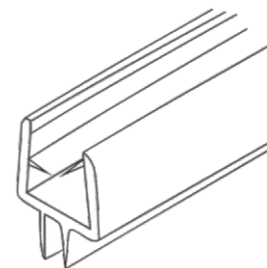
#### PS103



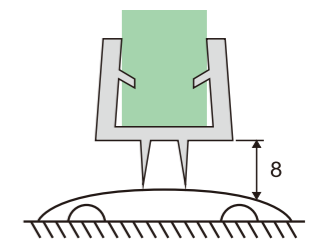
- 1、Material : Extruded PVC
- 2、Finishing: Clear or Mat
- 3、Suitable for 6、 8、 10 or 12mm glass



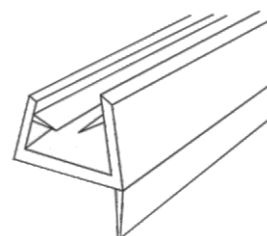
#### PS104



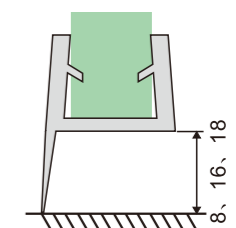
- 1、Material : Extruded PVC
- 2、Finishing: Clear or Mat
- 3、Suitable for 6、 8、 10 or 12mm glass



#### PS105

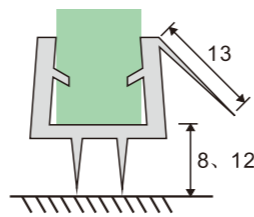
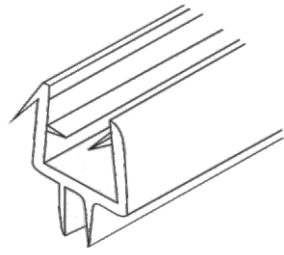


- 1、Material : Extruded PVC
- 2、Finishing: Clear or Mat
- 3、Suitable for 6、 8、 10 or 12mm glass



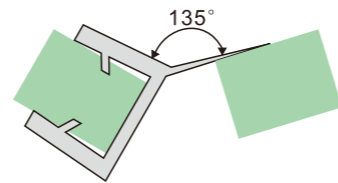
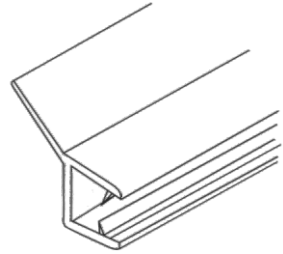
**PS106**

1. Material : Extruded PVC
2. Finishing: Clear or Mat
3. Suitable for 6, 8, 10 or 12mm glass



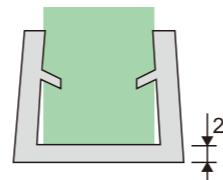
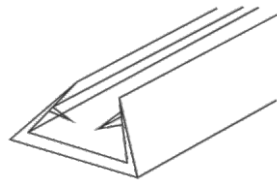
**PS107**

1. Material : Extruded PVC
2. Finishing: Clear or Mat
3. Suitable for 6, 8, 10 or 12mm glass



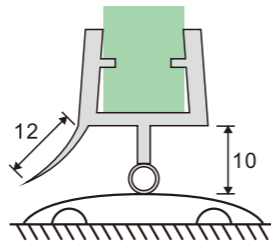
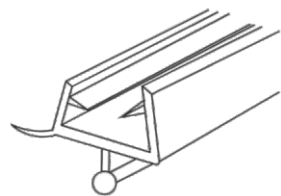
**PS108**

1. Material : Extruded PVC
2. Finishing: Clear or Mat
3. Suitable for 6, 8, 10 or 12mm glass



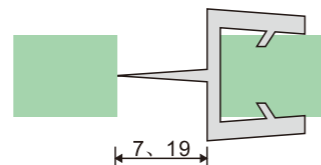
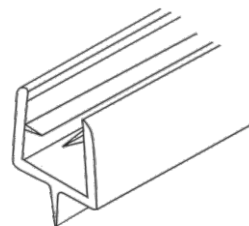
**PS110**

1. Material : Extruded PVC
2. Finishing: Clear or Mat
3. Suitable for 6, 8, 10 or 12mm glass



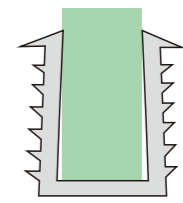
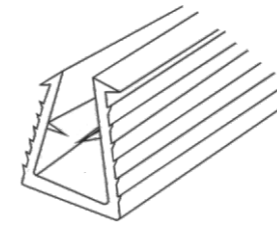
**PS112**

1. Material : Extruded PVC
2. Finishing: Clear or Mat
3. Suitable for 6, 8, 10 or 12mm glass



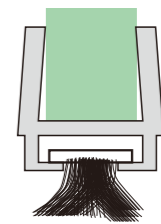
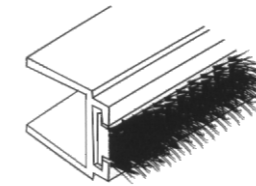
**PS113**

1. Material : Extruded PVC
2. Finishing: Clear or Mat
3. Suitable for 6, 8, 10 or 12mm glass



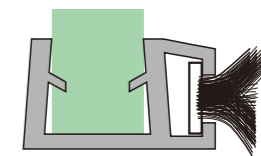
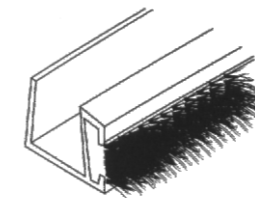
**PS114**

1. Material : Extruded PVC
2. Finishing: Clear or Mat
3. Suitable for 6, 8, 10 or 12mm glass



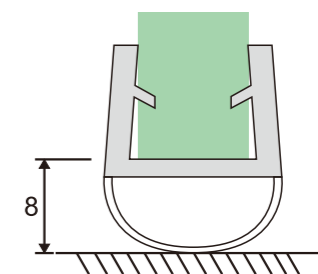
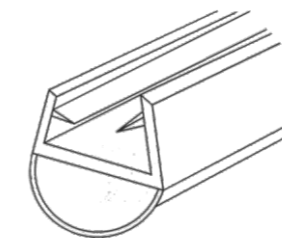
**PS116**

1. Material : Extruded PVC
2. Finishing: Clear or Mat
3. Suitable for 6, 8, 10 or 12mm glass



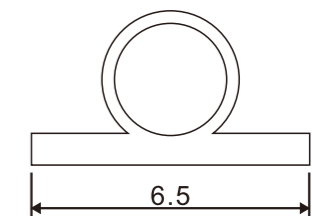
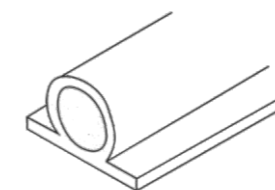
**PS117**

1. Material : Extruded PVC
2. Finishing: Clear or Mat
3. Suitable for 6, 8, 10 or 12mm glass



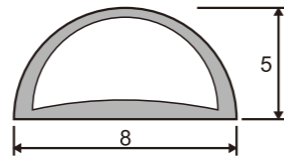
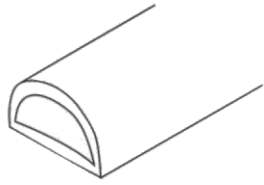
**PS117A**

1. Material : Extruded PVC
2. Finishing: Clear or Mat



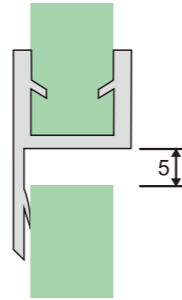
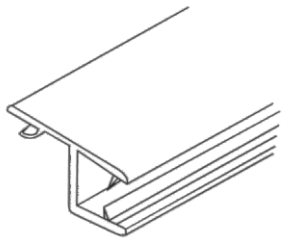
**PS118**

- 1、Material : Extruded PVC
- 2、Finishing: Clear or Mat



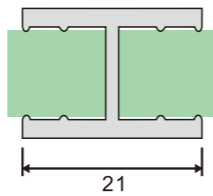
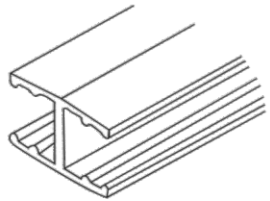
**PS119**

- 1、Material : Extruded PVC
- 2、Finishing: Clear or Mat
- 3、Suitable for 6、 8、 10 or 12mm glass



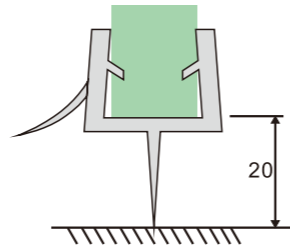
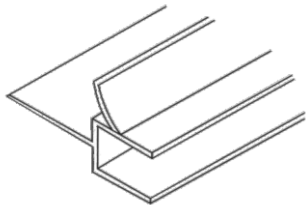
**PS121**

- 1、Material : Extruded PVC
- 2、Finishing: Clear or Mat
- 3、Suitable for 6、 8、 10 or 12mm glass



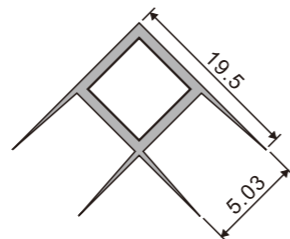
**PS123**

- 1、Material : Extruded PVC
- 2、Finishing: Clear or Mat
- 3、Suitable for 6、 8、 10 or 12mm glass



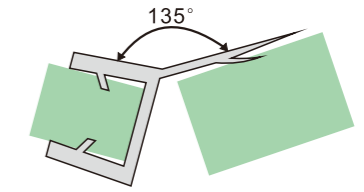
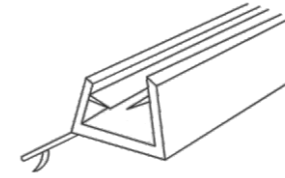
**PS124**

- 1、Material : Extruded PVC
- 2、Finishing: Clear or Mat
- 3、Suitable for 6、 8、 10 or 12mm glass



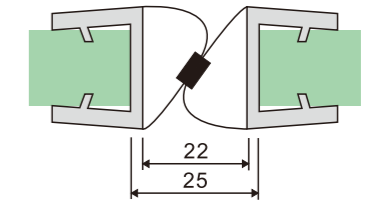
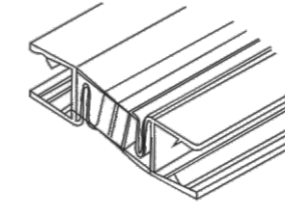
**PS125**

- 1、Material : Extruded PVC
- 2、Finishing: Clear or Mat
- 3、Suitable for 6、 8、 10 or 12mm glass



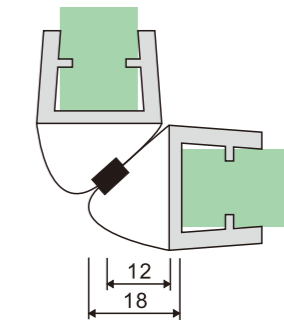
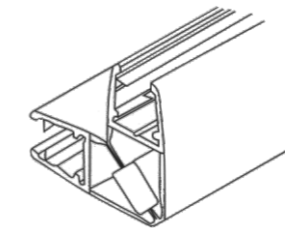
**PS201M 180°**

- 1、Material : Extruded PVC with magnet
- 2、Finishing: Clear or Mat
- 3、Suitable for 6、 8、 10 or 12mm glass



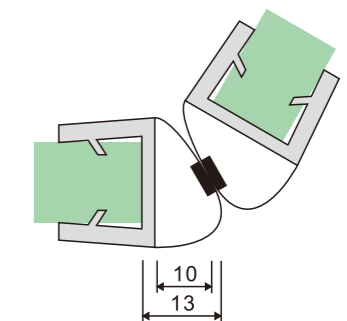
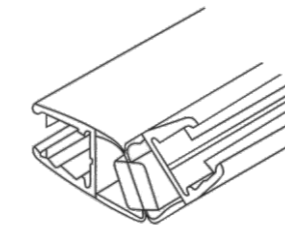
**PS202M 90°**

- 1、Material : Extruded PVC magnet
- 2、Finishing: Clear or Mat
- 3、Suitable for 6、 8、 10 or 12mm glass



**PS203M 135°**

- 1、Material : Extruded PVC magnet
- 2、Finishing: Clear or Mat
- 3、Suitable for 6、 8、 10 or 12mm glass



**PS204M 180°**

- 1、Material : Extruded PVC magnet
- 2、Finishing: Clear or Mat
- 3、Suitable for 6、 8、 10 or 12mm glass

